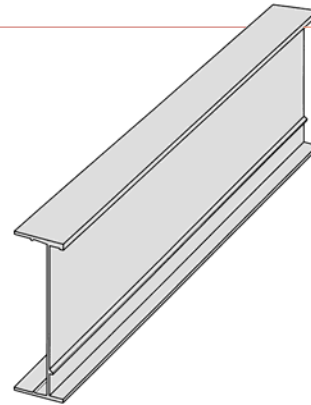


The Thomas & Betts Unique Design Points

I-Beam Siderail

- Maximum structural strength.

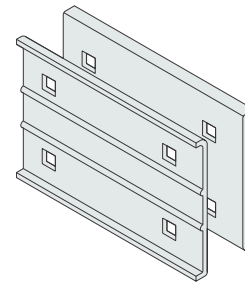
Aluminum



Snap-in Splice Plates

- Snap-in aluminum splice plates for easy installation.

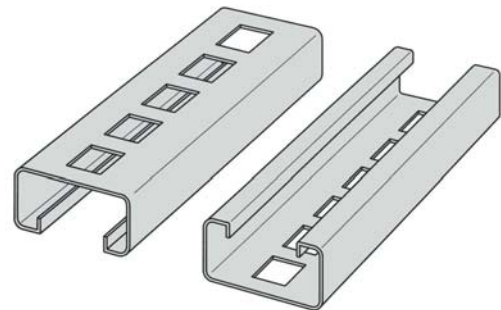
Aluminum



Alternating Rungs

- Alternating rungs for top and bottom accessory installation and cable lashing.

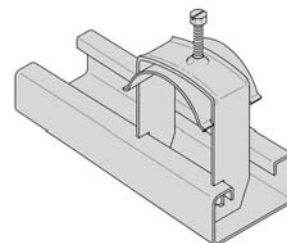
Aluminum & Steel



Continuous Open Slot

- Rungs have continuous open slot to accept standard strut pipe clamps and gives complete barrier strip adjustability.

Aluminum & Steel



The Thomas & Betts Unique Design Points

Ty-Rap® Cable Tie Slots

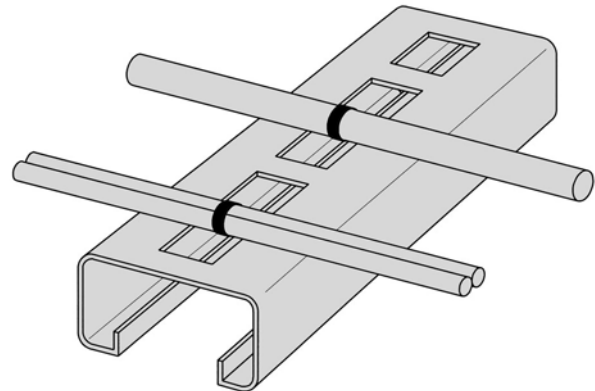
- Exclusive Ty-Rap® cable tie slots on 1" centers on all ladder and ventilated bottoms.

Secures cables without kinks and keeps cables uniform.

Aluminum & Steel

Added Support

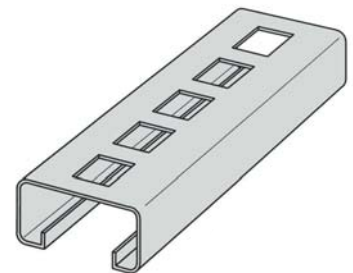
- Aluminum and Steel Solid bottoms are constructed with a flat sheet for added cable protection.



Aluminum & Steel

Extra Wide Rung Design

- Extra wide rung design for maximum cable bearing surface.



Aluminum & Steel

Adjustable Barrier Strips

- Barrier strips are fully adjustable (side to side) for use in straight sections and fittings.

Aluminum & Steel

