

CMPB-E Series

Miniature LED battery unit

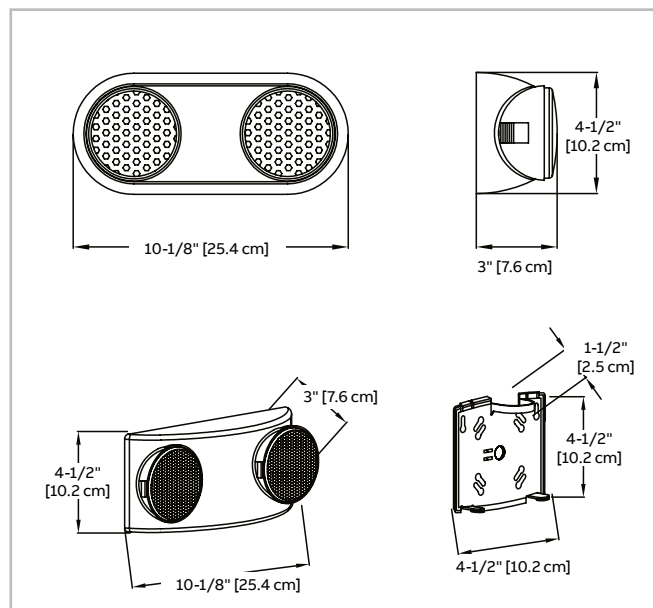


Features

- Fully adjustable LED glare-free lens
- 3.6V 2W long life LED light source
- Universal voltage input capability 120V, 277V and 347V
- Automatic, temperature compensated, pulse type charger
- Low voltage disconnect prevents over discharge of battery
- Automatic brownout protection
- Sealed maintenance-free 3.6V nickel-cadmium battery offering 120 minutes of emergency lighting
- Battery lock-out prevents discharge during installation
- Red LED charger monitor
- Momentary test switch allows for quick operational check
- Injection-molded thermoplastic ABS housing
- Rear keyhole slots and universal knock-outs to mount to any standard 4" junction box
- Injection-molded thermoplastic ABS housing
- Fast and easy installation with snap-together design
- Ceiling or wall mount installation
- Suitable for damp locations
- Use in 5°C-30°C ambient temperature
- Meets CSA C22.2 no.141-15
- Comes standard with one (1) year warranty
- **Warranty details at: www.tnb.ca/en/brands/emergi-lite**

Dimensions

Dimensions are approximate and subject to change.



Power consumption and unit rating

| Series | Voltage | Wattage | AC specs | |
|--------|----------------|---------|----------|------------|
| | | | Current | Efficiency |
| CM-PB | 120V, 50/60 Hz | 1.6W | 0.012A | 0.96P |
| | 277V, 50/60 Hz | 1.8W | 0.007A | 0.92P |
| | 347V, 50/60 Hz | 2.4W | 0.007A | 0.92P |

Circuitry

| | |
|--------------------|------------------|
| Emergency duration | 2 Hours |
| Recharge time | 24 Hours |
| Light Source | Ultra bright LED |
| Color temperature | 6500K- 7500K |
| Ni-Cd Battery: | 3.6V 2000mAh SC |

Ordering information

| Series | Voltage |
|---------|-------------------|
| CM-PB-E | Blank= 120/347VAC |

Example: CM-PB-E

