



LPEX50-P Series

Extruded Aluminum
Combination Unit - 6/12V

FEATURES

Exit Sign

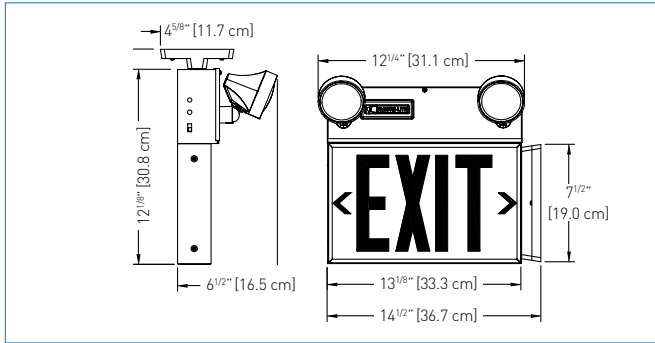
- Extruded aluminum faceplate
- Universal, field-selectable chevrons (knockout)
- **ALINGAP** LED technology

Power Pack

- Completely self-contained unit with rechargeable sealed lead battery
- Lamp heads require no tools to adjust or aim
- Meets or exceeds CSA 22.2 No. 141 requirements

DIMENSIONS

Dimensions are approximate and subject to change.



TYPICAL SPECIFICATIONS

Supply and install the **Emergi-Lite® LPEX50-P** LED Exit Sign and power pack combination series. The exit housing shall be constructed of rugged extruded aluminum. The faceplate shall be constructed of extruded aluminum. The Exit Sign shall have a maximum depth of 2-1/2". The faceplate(s) shall come standard with knockout chevrons. The light source shall be light emitting diodes (LED). The LED lamps shall provide illumination in normal and emergency operation and shall be mounted inside the exit housing, not on the face. An LED-sensitive diffuser shall be mounted behind the legend to provide the 6" high by 3/4" stroke letters with even illumination. The power pack shall be a completely self-contained emergency unit with its own charger and rechargeable battery. The housing shall be made of steel, painted factory white. The unit shall be designed to furnish exit illumination from the normal AC source. When a power failure occurs the mounted heads along with the Exit Sign are illuminated in emergency mode for a minimum of 30 minutes. The power pack is furnished with a test switch and high charge pilot light and is available as either 18, 36 or 72W. The heads shall require no tools to adjust and aim. The heads will be constructed of a durable thermoplastic construction and use 6V, 4W LED lamps or as otherwise specified.

The Exit Sign shall be CSA-C860 approved and meets CSA 22.2 No. 141. The equipment shall be **Emergi-Lite®** Model: _____.

WIRE GUARDS

460.0081-E	Wall Mount
460.0060-E	Ceiling Mount

POWER CONSUMPTION AND UNIT RATING

MODEL	AC SPECS	WATTAGE CAPACITY					
		30MIN	1H00	1H30	2H00	4H00	
Exit Sign Module	120/347VAC	Less than 1.5W	-	-	-	-	
LPX5-P1		0.15/0.05 A	18	10	7	6	3
LPX5-P3		0.15/0.05 A	36	21	15	12	6
LPX5-P3A		0.18/0.07 A	72	42	30	24	12
LPX5-P7		0.18/0.07 A	36	21	15	12	6
LPX5-P7A		0.15/0.05 A	72	42	30	24	12

ORDERING INFORMATION

SERIES	COLOUR	VOLTAGE	POWERPACK	OPTIONS	NUMBER OF HEADS	LAMP STYLE AND WATTAGE
LPEX52= single face LPEX53= double face	B= black BA= brushed aluminum* TA= textured aluminum* W= factory white	Blank= 120/347VAC -2= 277VAC	-P1= 6V-18W -P3= 6V-36W -P3A= 12V-36W -P7= 6V-72W -P7A= 12V-72W	Blank= no options U= auto-diagnostics* UN= auto-diagnostics, non-audible* NEX= NEXUS® system interface* NEXRF= wireless NEXUS® system interface* D= time delay [15 min.] G= green legend	/0= no heads /1= one head /2= two heads	LA= MR16 LED, 6V-4W LB= MR16 LED, 6V-5W LG= MR16 LED, 12V-4W LI= MR16 LED, 12V-5W LJ= MR16 LED, 12V-6W
	* Black heads			* Not available for 6V-72W ** Not all options available with NEXUS® system. Please consult your sales representative.		

EXAMPLE: LPEX52W-P3/2LB