



EH Series

Pictogram Sign
Hazardous Locations
Class I Division 2- compliant

FEATURES

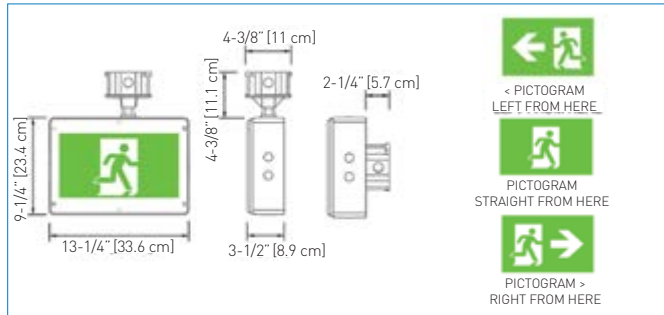
- Compliant Class I Division 2, Groups A, B, C and D as per CSA C22.2 No.137-M1981
- Class I Zone 2 Groups IIA, IIB, IIC
- Temperature Code T6 (maximum + 85°C [185°F]) as per Canadian Electrical Code, Part I and CSA C22.2 No.137-M1981
- High-impact thermoplastic frame with built-in gasket to secure against liquid leaks
- Sealed, heavy-duty, vandal-resistant polycarbonate face plate(s)
- Concealed pilot light and test switch with magnetic action
- Long-life white LED light source
- Supplied standard with two pictogram films per face, for direction selection
- Meets or exceeds CSA 22.2 No.141-10 standard for pictogram Exit Signs
- Universal AC input: two-wire 120 to 347VAC; standard DC input: two-wire 6 to 24VDC
- Energy efficient – consumes less than 2.5W in AC or DC-remote mode
- Self-Powered models come standard with auto-diagnostic functions and deliver two hours of back-up legend illumination
- Suitable for cold-weather: -40°C [-40°F] for AC/DC and -20°C [-4°F] for Self-Powered models (option: -CW)

See warranty details at: www.tnb.ca/en/brands/emergi-lite



DIMENSIONS

Dimensions are approximate and subject to change.



CLASS I DIV 2 FAMILY



TYPICAL SPECIFICATIONS

Supply and install the **Emergi-Lite® EH Series** of pictogram Exit Signs. The equipment shall be certified for Hazardous Locations: Class I Division 2 Groups A, B, C and D with a temperature code T6 (maximum 85°C [185°F]). The equipment frame shall be of industrial grade polyvinyl chloride with a gasket around lenses and canopy. The faceplate(s) shall be constructed of heavy-duty vandal-resistant polycarbonate and feature an even illuminated pictogram legend. Each face plate shall come standard with two legend films for pictogram and direction selection. The light source shall be long-life white light-emitting diodes (LED). The pictogram Exit Sign shall operate with universal 2-wire AC input voltage of 120 to 347VAC at less than 2.5W and universal 2-wire DC input voltage from 6 to 24VDC at less than 1W for single and double face signs. The Self-Powered model shall include a concealed pilot light and magnet-sensitive test switch, shall use a sealed Nickel-Cadmium battery of 2.4V nominal voltage and shall stay illuminated during emergency operation for at least two hours upon AC failure. The Self-Powered model shall include auto-test functions: it shall execute automatic tests for 5 minutes every 30 days, 30 minutes every 60 days and two hours annually. When a fault is detected, the bi-colour pilot light shall turn from green to red and flash following a particular code. The code description shall be visible on a label next to the pilot light to identify the failure type: battery, charger circuitry, or LED lamps.

The pictogram Exit Sign shall meet or exceed the CSA 22.2 No.141-10 standard.

The equipment shall be **Emergi-Lite®** Model: _____.

POWER CONSUMPTION

MODEL	AC SPECS		DC SPECS	
	Voltage	Power	Voltage	Power
AC-only	120 to 347VAC	Less than 2.5W	-	-
AC/DC standard	120 to 347VAC	Less than 2.5W	6 to 24VDC	Less than 1 W
AC/Special DC	120 to 347VAC	Less than 2.5W	36, 48, 120VDC	Less than 2.5 W
Two-wire 120V AC/DC	120VAC	Less than 2.5W	120VDC	Less than 2.5 W
Auto-diagnostic	120 / 347VAC	Less than 3.5W	Nickel-Cadmium battery	Min. two hours

ORDERING INFORMATION

SERIES	FACES ¹	HOUSING COLOUR	VOLTAGE	OPTIONS
EH= pictogram exit sign	1= single face 2= double face	G= grey	ID= self-powered, auto-diagnostic, non-audible, Ni-Cd, 120/347VAC ID2= self-powered, auto-diagnostic, non-audible, NiCad, 120/277VAC U= universal, 120 to 347VAC; 6 to 24VDC U00= 120 to 347VAC only U36= 120 to 347VAC; 36VDC U48= 120 to 347VAC; 48VDC U120= 120 to 347VAC; 120VDC EM120-2W= 2-wires 120VAC/VDC NEX= NEXUS® system interface, 120/347VAC ¹ NEXRF= wireless NEXUS® System interface, 120/347VAC ¹	CW= cold-weather [-20°C for SPD, SPD2 and NEXUS®, -40°C for universal model] U9= arrow up D9= arrow down U4= arrow up 45° D4= arrow down 45°
	¹ Ceiling or wall mount only.		¹ Not all options available with NEXUS® System Interface. Please consult your sales representative	

EXAMPLE: EH1GU