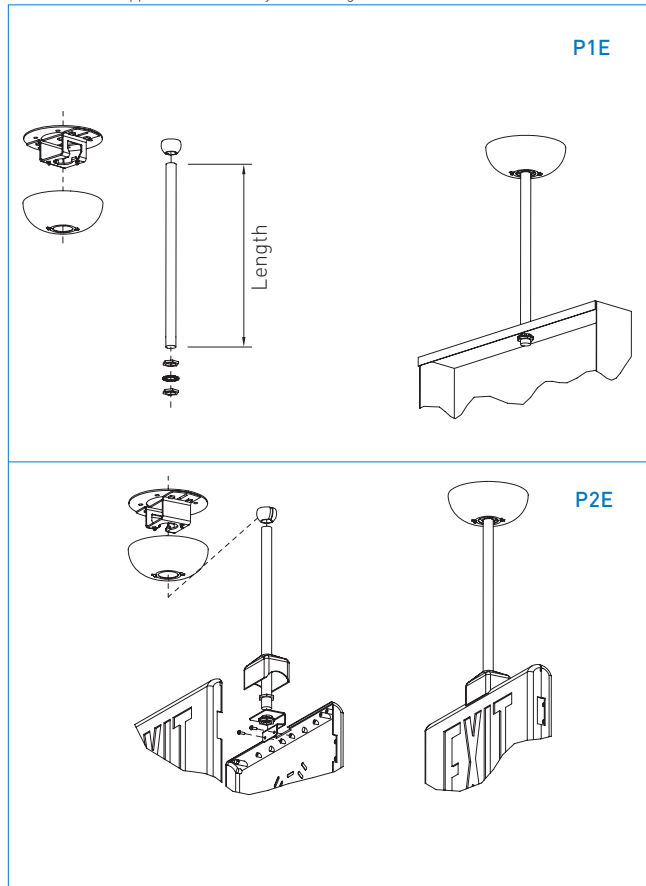




# Pendant Kit

## DIMENSIONS

Dimensions are approximate and subject to change.



## TYPICAL SPECIFICATIONS

Offered in a variety of colours and lengths, **Emergi-Lite®** Pendant Kits are designed to facilitate the installation of Exit Signs at regular mounting heights.

Compatible with both horizontal and sloped ceilings, these Pendant Kits are truly universal and will adapt to any application.

Please consult your sales representative.

## ORDERING INFORMATION

SERIES	LENGTH (IN)	COLOUR
*P1E standard model of pendant	6 12 18 24	W= white B= black SG= silver grey
*P2E Prestige™ series	6 12 18 24	W= white B= black SG= silver grey
*P3E Aluminum slim edge-lit	6 12 18 24	W= white B= black SG= silver grey
*P4E Premier™ plastic exit	6 12 18 24	W= white B= black

\*Other lengths available on demand. Consult your sales representative.