

Distinction™

Surface Designer Series



FEATURES

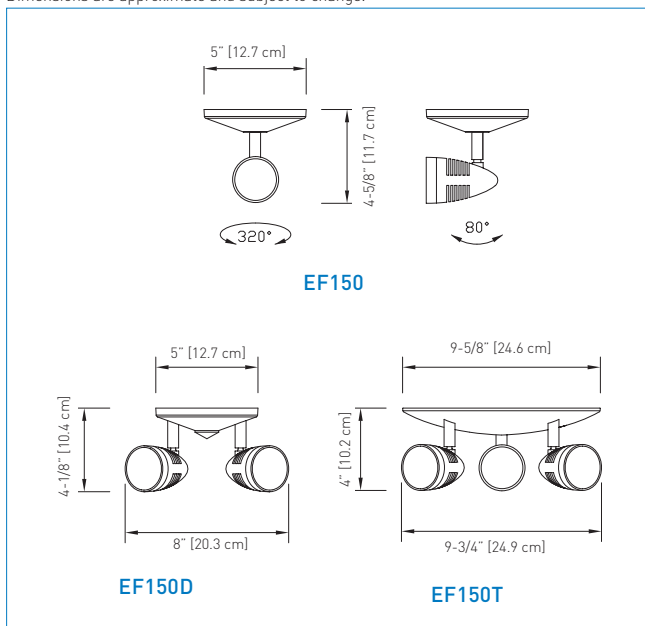
- Contemporary, enduring design
- Available in 1, 2 or 3 head configurations
- Highly resistant powder-coated, Die-Cast aluminum construction
- LED lamps: 4W, 5W and 6W
- CSA certified to C22.2 No. 141-15

See warranty details at: www.tnb.ca/en/brands/emergi-lite



DIMENSIONS

Dimensions are approximate and subject to change.



TYPICAL SPECIFICATIONS

The contractor will supply and install **Emergi-Lite® Distinction Series** remote heads. These remote heads will consist of either single, double or triple head configurations according to the design. Remote heads will be constructed of durable powder coated, Die-Cast aluminum and use LED light sources.

The remote fixtures shall be certified to CSA C22.2 No.250.

The unit shall be **Emergi-Lite®** model: _____.

WIRE GUARDS

460.0029-E	Wall Mount (EF150)
460.0032-E	Wall Mount (EF150D)
460.0078-E	Wall Mount (EF150T)

REPLACEMENT LAMPS

MODEL	LAMP TYPE	VOLTAGE-WATTAGE
580.0097-E	MR16 LED	6V-4W
580.0122-E	MR16 LED	6V-5W
580.0093-E	MR16 LED	12V-4W
580.0113-E	MR16 LED	120V-4W
580.0098-E	MR16 LED	24V-4W
580.0100-E	MR16 LED	24V-6W
580.0104-E	MR16 LED	12V-5W
580.0106-E	MR16 LED	12V-6W

ORDERING INFORMATION

SERIES	# OF HEADS	COLOUR	VOLTAGE/ WATTAGE
EF150= closed	Blank= one head D= two heads T= three heads	Blank= white -B= black	-LAC= MR16 LED, 6V-4W -LBC= MR16 LED, 6V-5W -LGC= MR16 LED, 12V-4W -LIC= MR16 LED, 12V-5W -LLC= MR16 LED, 24V-4W -LJC= MR16 LED, 12V-6W -LMC= MR16 LED, 24V-6W -LWC= MR16 LED, 120V-4W

EXAMPLE: EF150-LAC