



Lux-Ray™ LED Series

Remote Fixture Rugged,
Versatile, Sophisticated

FEATURES

- Four-LED light engine with redundant connections
- Powder-coated Die-Cast aluminum construction
- Clear Polycarbonate lens allows for maximum lumen output
- Surface Wall Mount
- Certified to the CSA 22.2 No.141-15 standard
- NEMA-3R Damp and Wet locations
- Operating temperature -40°C to + 50°C

OPTIONS

- Forward-throw light distribution
- Dual-mode: normal and emergency LED lighting
- High-lumen output
- Photo-switch: dusk-to-dawn control of normal lighting
- Infrared remote control (normal lighting)

See warranty details at: www.tnb.ca/en/brands/emergi-lite



TABLE A: SPACING FOR AVERAGE 1FC

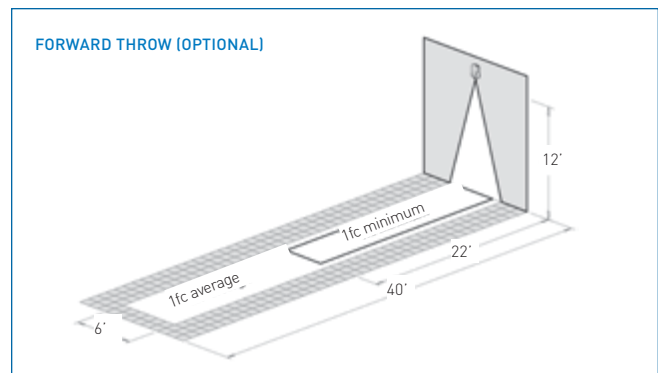
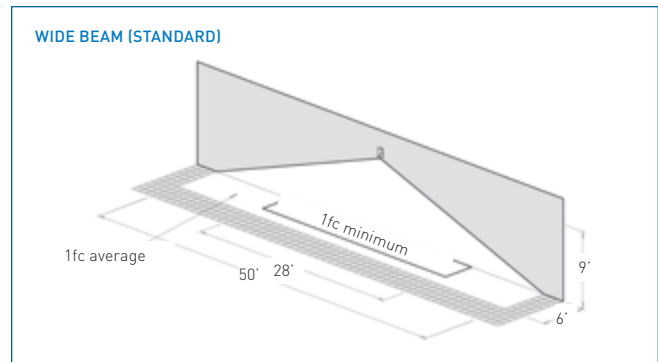
MODEL TYPE	MOUNTING HEIGHT	WATTAGE CAPACITY	
		SINGLE	CENTRE-TO-CENTRE
Standard	9'	6' X 50'	6' X 50'
With option -H	11'	6' X 60'	6' X 60'
			3' X 70'
With option -FT	12'	6' X 40'	-
With option -FTH	15'	6' X 50'	-

Indoor reflectance: 80/50/20 and 10-ft wide corridor.

Outdoor reflectance: 0/30/10

Note: The illumination level meets ALL the requirements of the National Building Code-Canada and the Life Safety Code (NFPA 101):

- 1) Average of 1 foot-candle (10.7 lux) or more
- 2) Minimum at any point of 0.1 foot-candle (1.07 lux) or more
- 3) Maximum-to-minimum illumination uniformity ratio of 40:1 or less



Lux-Ray™ LED Series

Remote Fixture Rugged,
Versatile, Sophisticated



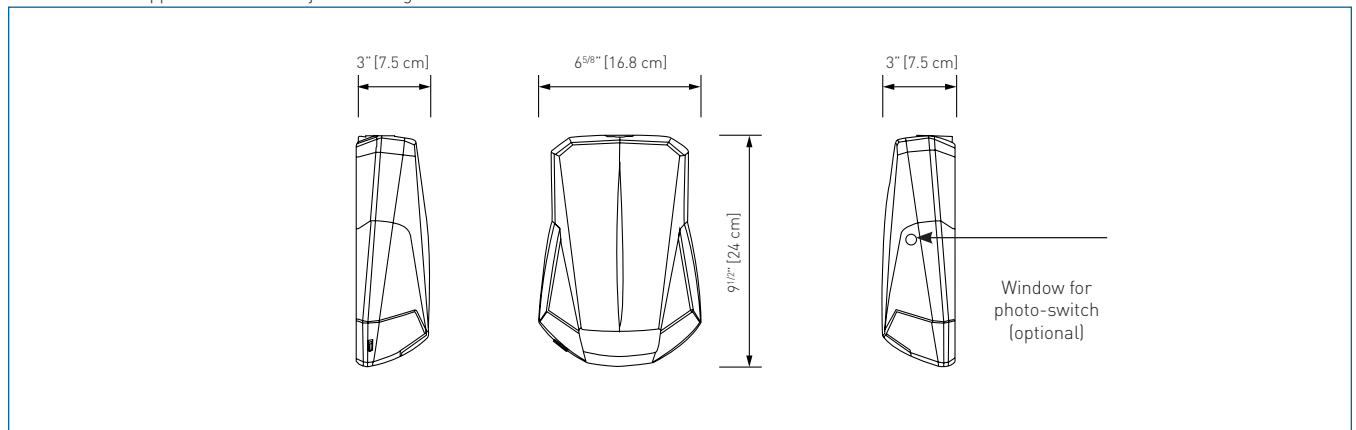
POWER CONSUMPTION

MODEL TYPE	AC SPECS: 120/347VAC				6-12VDC REMOTE
	NORMAL LIGHTING		EMERGENCY LIGHTING		
	CURRENT (MAX)	POWER (MAX)	CURRENT (MAX)	POWER (MAX)	POWER (MAX)
AC, ACDC, DC	0.12/0.05 A	12W	0.12/0.05 A	12W	8W
AC, ACDC, DC -H	0.18/0.07 A	18W	0.18/0.07 A	18W	14W
2AC (120VAC only)	0.12 A	12W	0.12 A	12W	-
2AC-H (120VAC only)	0.18 A	18W	0.18 A	18W	-

*Note: Only unswitched AC input; normal lighting with photo-switch or remote control

DIMENSIONS

Dimensions are approximate and subject to change.



ORDERING INFORMATION

SERIES	FUNCTION: REMOTE FIXTURES (-40... +50°C)	COLOUR	OPTION
LUX= Lux-Ray™ LED	AC = AC-only ACDC = AC/6-12VDC remote DC = 6-12VDC remote fixture 2AC = AC-only two circuits: 120/120 or 277/277V	OW = off-white BK = black BZ = dark bronze PG = platinum grey	-FT = Forward throw lighting -H = High lumen output (max. 30°C) -P = Photo-switch, normal lighting (models AC, ACDC only) -RC = Remote control - infrared (models AC, ACDC only) ¹ -2 = 277VAC 60Hz input

¹ Remote control keypad (TB-RC1-E) ordered separately

EXAMPLE: LUXACDCBK-H-P