

JMLC Series

Steel, compact, 6V and 12V



FEATURES

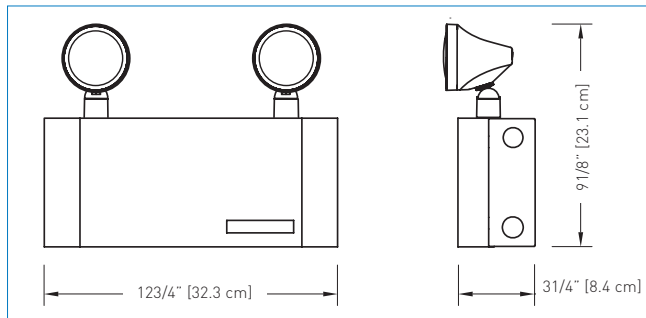
- Compact steel cabinet with corrosion-resistant undercoating
- Quick and easy installation – pre-assembled cordset, no batteries or board to remove before installation
- Universal Spider knockout pattern for junction box mounting
- Fully automatic solid-state charger with test switch and AC-on pilot light
- Sealed dust-proof transfer relay circuit and low-voltage disconnect
- Long-life, maintenance-free sealed
- NEXUS® compatible. Please consult your sales representative
- Heads require no tools for orientation
- Standard input 120 VAC with line cord installed
- 120/347 VAC without line cord
- Certified CSA C22.2 No.141
- Advanced diagnostics capabilities (specific load requirements)



nexus®

DIMENSIONS

Dimensions are approximate and subject to change.



TYPICAL SPECIFICATIONS

The contractor shall install the **Emergi-Lite® JMLC Series** battery units. The emergency lighting system shall consist of fully automatic equipment with two emergency lighting heads. The unit shall be rated ____ V with a capacity of ____ W for 30 minutes of emergency operation.

The charger shall be factory set with a charging voltage tolerance of ± 1% to enable a longer battery life. The emergency light heads shall require no tools for adjusting or aiming. The metal cabinet shall be made of steel with anti-corrosion undercoating.

The unit equipped with the auto-test micro-controller board shall self-test 1 minute every 30 days, 10 minutes every 6 months and 30 minutes every 12 months. The unit shall be supplied with a test switch and diagnostic LED indicator lights to continuously monitor the status of the unit: Battery Failure, Battery Disconnect, Charger Failure, Lamp Failure, Service Alarm, main voltage AC "ON", Charger High Rate.

The unit shall be CSA Certified to C22.2 no.141.

The unit shall be **Emergi-Lite®** model: _____.

WIRE GUARDS

460.0080-E	Wall Mount
------------	------------

REPLACEMENT LAMPS

ORDERING CODE	LAMP TYPE	VOLTAGE/ WATTAGE
580.0097-E	MR16, LED	6V-4W
580.0122-E	MR16, LED	6V-5W
580.0093-E	MR16, LED	12V-4W
580.0104-E	MR16, LED	12V-5W
580.0106-E	MR16, LED	12V-6W

For the complete list, please see the lamp chart on pages 156 to 158

POWER CONSUMPTION AND UNIT RATING

MODEL	AC SPECS		WATTAGE CAPACITY				
			30MIN	1H00	1H30	2H00	4H00
06JMLC27	120/347 VAC	0.06/0.02 A	27	15	11	9	-
06JMLC44		0.18/0.06 A	44	26	18	15	7
06JMLC72		0.19/0.07 A	72	42	30	24	12
12JMLC44		0.31/0.10 A	44	26	18	15	7
12JMLC72		0.31/0.10 A	72	42	30	24	12

ORDERING INFORMATION

SERIES	CAPACITY	COLOUR	VOLTAGE	OPTIONS	# OF HEADS	HEADS STYLE/WATTAGE
06JMLC = 6V	27= 27W	Blank= factory white BK= black	Blank= 120VAC c/w linecord -2= 277VAC input -3= 120/347VAC input	Blank= no options U= auto-diagnostics ¹ UN= auto-diagnostics, non-audible ¹ NEX= NEXUS® system interface ¹ NEXRF= wireless NEXUS® system interface ¹ CT= cab-tire LW= twist-lock plug ²	/0= no heads /1= one head /2= two heads	LA= MR16 LED, 6V-4W LB= MR16 LED, 6V-5W LG= MR16 LED, 12V-4W LI= MR16 LED, 12V-5W LJ= MR16 LED, 12V-6W
	44= 44W					
12JMLC = 12V	44= 44W					
	72= 72W					

¹ Not available in 6V-72W.
Not all options available with NEXUS® system.
Please consult your sales representative.

² 120V is standard

EXAMPLE: 06JMLC44/2L1