

Molded vacuum reclosers

Single- and three-phase molded vacuum reclosers, 15–38 kV

The recloser you want, all in one package.

The need for automated reclosers has never been greater, but many of today's reclosers come with penalties. They weigh too much, and that makes them difficult to install. They aren't easy to upgrade, so you have to guess about what features to include in case you need them several years from now. What's more, if the recloser you stock doesn't come with superior technical support, service and built-in quality, you may find it worse than no recloser at all.

Elastimold molded vacuum reclosers address all of these problems, and more.

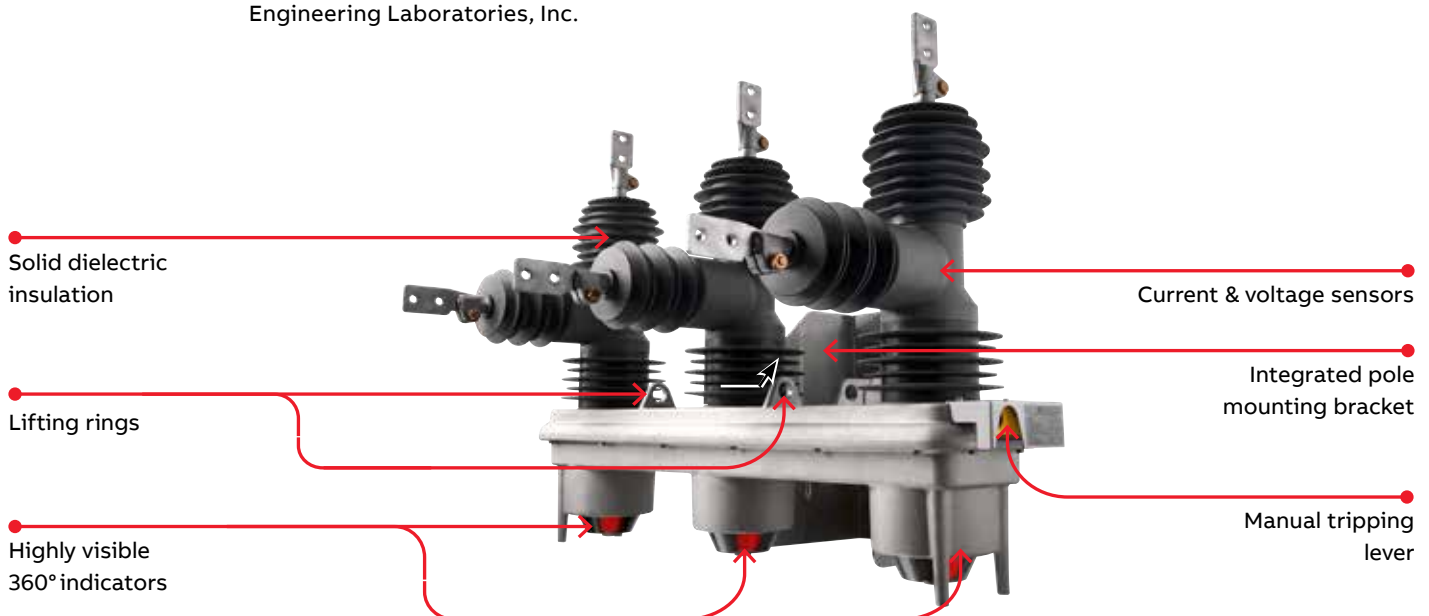
Elastimold molded vacuum reclosers are 33% lighter than typical units today, so they're easier and less expensive to install. Modular design means smart grid sensors can be added quickly and simply. Our reclosers are compatible with SEL controls, the best in the business. Elastimold customer support, technical expertise and collaborative working relationships with customers mean that you will have the information you need, exactly when you need it.

SEL is a registered trademark of Schweitzer Engineering Laboratories, Inc.

Smart, light and flexible.

Elastimold reclosers are world-class, by design. They respond to every hardware requirement that utilities want, and then some.

- **Smart** – Our reclosers are smart grid ready with three integral load-side voltage sensors and provision to add source-side voltage sensors, if desired. They were designed to be fully compatible with the industry's No.1 name in controls, Schweitzer Engineering Laboratories.
- **Light** – The three-phase Elastimold reclosers weigh 33% less than existing typical units. The simplicity of the mechanism design, and the compactness of the encapsulated components, contribute to making Elastimold reclosers easier to move and install.
- **Flexible** – Elastimold reclosers are modular, so field upgrades and retrofits are easy and fast. The single-phase reclosers have a pole rotation mounting bracket for easier installation.
- **Made with your needs in mind** – We designed our reclosers only after extensive talks with electric utilities. Their features, from easier-to-see open/close indicators to the many robust extra features that we consider "standard," are there because of you.



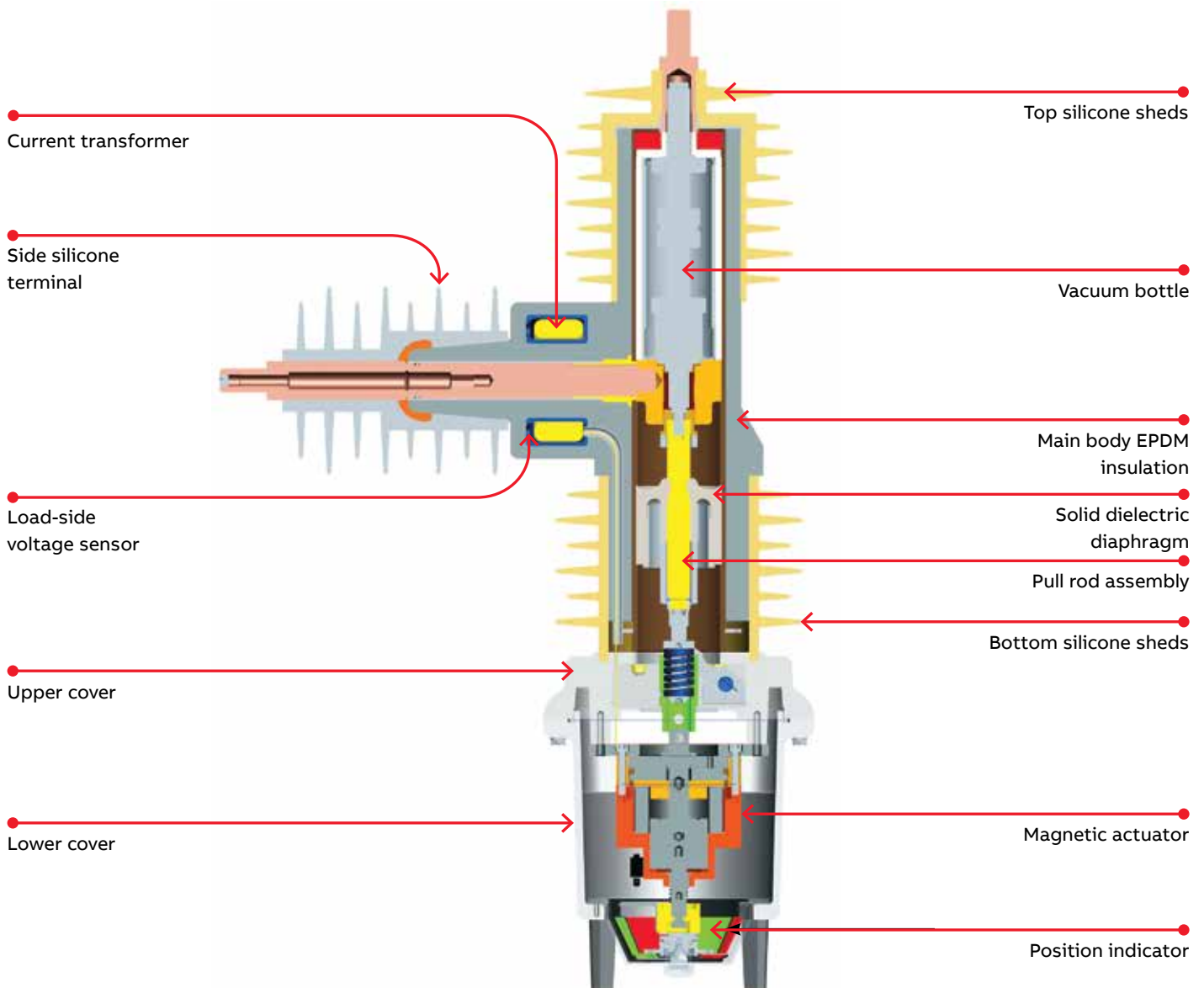
Molded vacuum reclosers

Recloser construction

The Elastimold molded vacuum recloser (MVR) operates electrically by energizing a magnetic actuator system with a completely sealed housing. Each pole contains a vacuum interrupter sealed in solid dielectric insulation for mechanical and high dielectric strength.

An open-closed position indicator provides a 360° view. An external manual trip assembly is located on the side; when in the down position, it maintains the recloser in a lockout position until it is manually restored. All electrical control connections are made through a sealed single-environment control cable connector on the side.

The combination of the molded vacuum recloser with microprocessor controls accurately detects a wide range of line disturbances and provides reliable, high-speed isolation for adverse conditions.



Molded vacuum reclosers

Elastimold single- and three-phase molded vacuum reclosers

The following diagram shows how to construct a catalog number for single- and three-phase molded vacuum reclosers.

Example: The catalog number for a molded vacuum recloser for a three-phase, 15 kV system, with 25.5 kA interrupting rating and three voltage sensors for use with the SEL-651R control is

MVR-3-15-12-3-2.

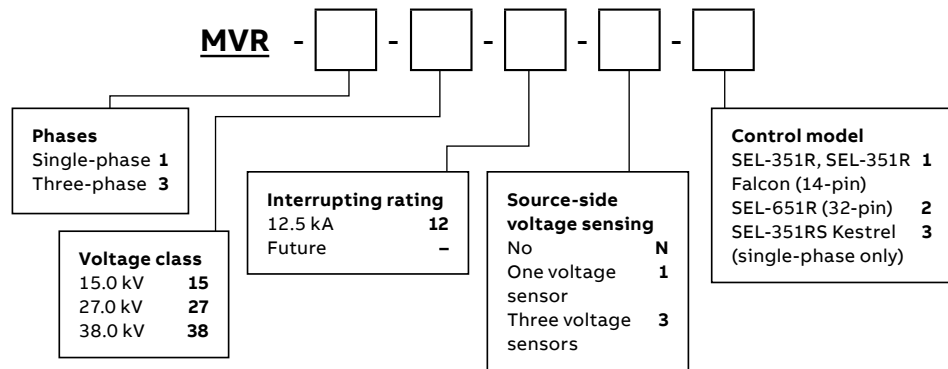
- Single-phase reclosers function with the SEL-351RS Kestrel® control. Three-phase reclosers function with SEL-651R, SEL-351R or SEL-351R Falcon™ controls. The MVR power module must be specified when using a SEL-351R and SEL-351R Falcon controls.

- Load-side voltage sensors are standard on all units and function with any SEL control having at least three 8 V AC low-energy analog (LEA) voltage inputs. All units are upgradeable to Elastimold source-side voltage sensing but require a SEL-651R x 2 control with six 8 V AC low-energy analog (LEA) inputs.

* For complete catalog number configuration, contact your ABB sales representative.

SEL is a registered trademark of Schweitzer Engineering Laboratories, Inc.

Indicates field that must be filled in to complete order.



Accessories

Cat. no.	Accessory name/description
3188D0120G1	Three-phase line-side arrester frame
3188D0121G1	Three-phase load-side arrester frame
3188C0122G1	Single-phase line-side arrester frame
3188C0123G1	Single-phase load-side arrester frame
3070A1191P1	Wildlife protector top bushing (one per phase)
3070A1190P1	Wildlife protector side bushing (one per phase)
3188C0075G1	Source-side voltage sensors (one per phase)
3188D0119G1	Substation mounting frame
3188B0126G1	NEMA 2-hole pad
3180A0661P1	NEMA 4-hole pad
3070B0913G1	Aerial lug
1548FH-ANC3JNAA	Fisher Pierce overhead faulted circuit indicator – Adaptive Trip™; 4-hr. automatic reset time with current reset override (60 sec. after restoration of power), five ultra-bright LEDs for increased visibility display
1548FH-ANC3XNA1	Fisher Pierce overhead faulted circuit indicator – Adaptive Trip™; 4-hr. automatic reset time with current reset override (60 sec. after restoration of power), with 4-hr. temporary fault reset time, temporary fault indication option, four red and one amber LED