

## Multi-point junctions

### Molded multi-point junctions

—  
01 J6-622226-25  
—  
02 J6-662266-25-SV

Elastimold multi-point junctions are available in 2-, 3-, 4-, 5- or 6-point configurations with 15, 25/28 or 35 kV ratings. Units feature modular design flexibility, allowing selection of any combination of 200 A deepwell or 600 A bushing interfaces located on standard 4" or optional 6½" centers. The 6½" center spacing is especially well suited for distributed switchgear applications, including fused elbow, MVI fault interrupter, MVS switch, etc.

Designs incorporate lightweight, damage-resistant, EPDM molded rubber construction and corrosion-resistant 304 stainless steel mounting brackets. Junctions are maintenance free, fully shielded, deadfront and submersible. Units are ideally suited for subsurface, padmount, indoor and outdoor vault applications.

Elastimold multi-point junctions provide a convenient method for connecting, looping and tapping of 200 A and 600 A elbows and other accessories at a common location where utilization of space, cable training, flexibility and operability are important.

### Features

- 15/25/35 kV, 200/600 A molded multipoint junctions
- Fully shielded, fully submersible molded rubber housing
- Uses 304 stainless steel for brackets to prevent rusting and corrosion
- Provides mating for Elastimold elbow connectors, both 600 A and 200 A
- Increases flexibility and operational ability by saving space in crucial areas
- Optional bails available for 200 A deadbreak application



01

### Ratings overview

See pages A4–A5 for complete information

#### Current ratings

- 600 A continuous
- 25 kA sym., 10 cycles

#### Or with 200-amp bushing well versions

- 200 A continuous
- 10 kA sym., 10 cycles

#### Voltage ratings

##### 15 kV class

- 8.3 kV phase-to-ground
- 95 kV BIL
- 34 kV AC withstand
- 53 kV DC withstand
- 11 kV corona extinction

##### 25/28 kV class

- 16.2 kV phase-to-ground
- 140 kV BIL
- 45 kV AC withstand
- 84 kV DC withstand
- 21.5 kV corona extinction

##### 35 kV class

- 21.1 kV phase-to-ground
- 150 kV BIL
- 50 kV AC withstand
- 103 kV DC withstand
- 26 kV corona extinction



02

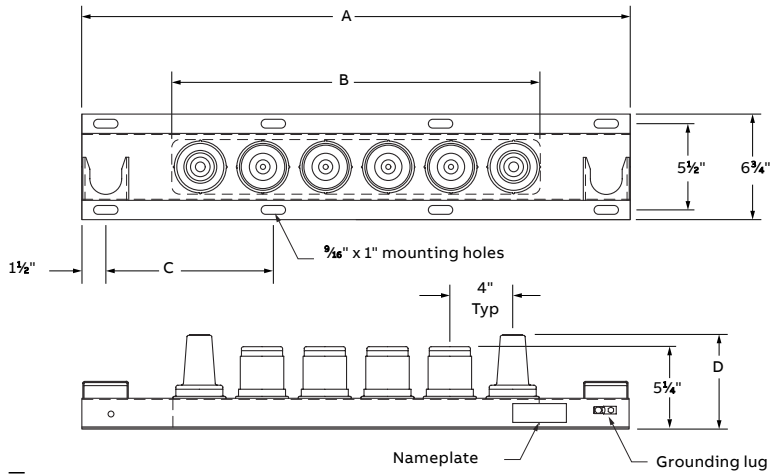
# Multi-point junctions

## Molded multi-point junctions

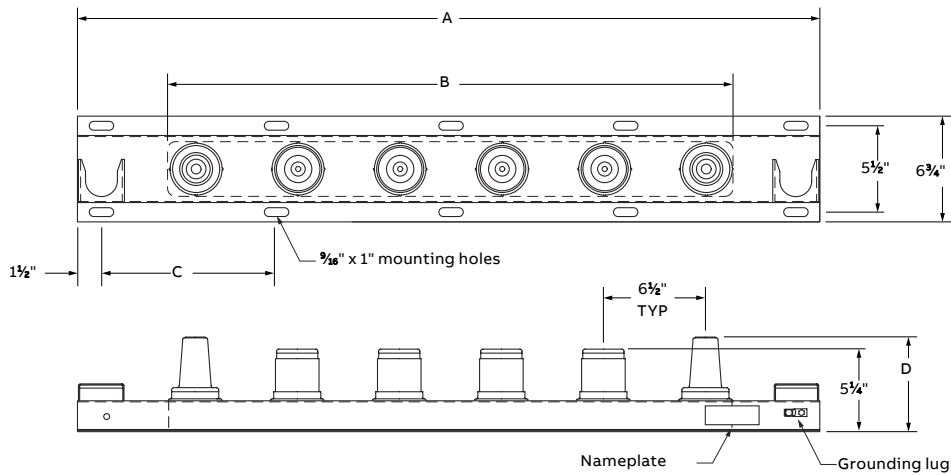
01 Figure 1: Multi-point junctions with 4" interface spacings.

02 Figure 2: Multi-point junctions with 6½" interface spacings.

### Dimensional information

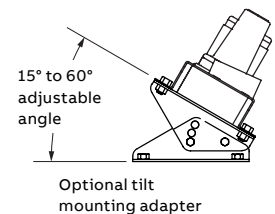


01



02

Type of junction	Figure 1				Figure 2			
	Dimensions (in.)			Number of mounting holes	Dimensions (in.)			Number of mounting holes
A	B	C	A		B	C		
J2	15	7½	6	6	19½	10	8¾	6
J3	19	11½	8	6	26	16½	11½	6
J4	24	15½	10	6	32½	23	9¾	8
J5	27	19½	12	6	39	29½	12	8
J6	31	23½	9¾	8	45½	36	8¾	10





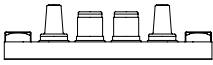

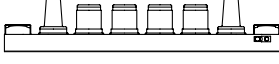


Optional tilt mounting adapter

## Multi-point junctions

### Molded multi-point junctions

Elastimold multi-point junctions feature modular design flexibility that permits the specifier to determine the positions of the bushing interfaces and bushing well positions.

#### Base catalog numbers

Image (not to scale)	Description	Voltage class (kV)	Cat. no.		Notes
			4" spacing	6½" spacing	
	2-point junction	15	J2 - ____ - 15	J2 - ____ - 15-SV	N1, 2
		25/28	J2 - ____ - 25	J2 - ____ - 25-SV	
		35	J2 - ____ - 35	J2 - ____ - 35-SV	
	3-point junction	15	J3 - _____ - 15	J3 - _____ - 15-SV	N1, 2
		25/28	J3 - _____ - 25	J3 - _____ - 25-SV	
		35	J3 - _____ - 35	J3 - _____ - 35-SV	
	4-point junction	15	J4 - _____ - 15	J4 - _____ - 15-SV	N1, 2
		25/28	J4 - _____ - 25	J4 - _____ - 25-SV	
		35	J4 - _____ - 35	J4 - _____ - 35-SV	
	5-point junction	15	J5 - _____ - 15	J5 - _____ - 15-SV	N1, 2
		25/28	J5 - _____ - 25	J5 - _____ - 25-SV	
		35	J5 - _____ - 35	J5 - _____ - 35-SV	
	6-point junction	15	J6 - _____ - 15	J6 - _____ - 15-SV	N1, 2
		25/28	J6 - _____ - 25	J6 - _____ - 25-SV	
		35	J6 - _____ - 35	J6 - _____ - 35-SV	
	5-point junction	25/28	J5 - 66666 - 25CU	-	N2, 3
		35	J5 - 66666 - 35CU		
	6-point junction	25/28	J6 - 666666 - 25CU	-	N2, 3
		35	J6 - 666666 - 35CU		

**N1.** The 6½" wide spacing is necessary if the junction is to be used to connect with a single-phase MVS molded vacuum switch or MVI molded vacuum interrupter.

**N2.** Also available with a shorter bracket by reducing the number of parking stands; see R, L, N in options.

**N3.** Copper conductor for 900 A rating. Use suffix "CU" at the end of the catalog number.

## Multi-point junctions

### Ordering information

To specify and order Elastimold multi-point junctions: Use Table 1 to construct a catalog number describing the required junction.

#### Ordering example A

To order a 4-point, 15 kV junction with 4" spacings and 600 series interfaces on the outside ways and 200 A wells on the inside ways, specify catalog number J4-6226-15.

#### Ordering example B

To order a 6-point, 25/28 kV junction with 6½" spacings and 600 series interfaces on ways 1, 3, 4 and 6 and 200 A wells on the ways 2 and 5, specify catalog number J6-626626-25-SV.

Table 1. Catalog number construction

