

Ocal-Blue conduit

The ultimate in corrosion protection



Product features

- Hot-dip galvanized steel or aluminum conduit
- Nominal .002" (2 mil) blue urethane coating on interior
- Hot-dipped galvanized threads (steel)
- Minimum .040" (40 mil) PVC coating on exterior – in your choice of blue, white, gray or custom colors
- Color-coded thread protectors
- Couplings shipped with conduit are packaged separately

Ocal-Blue conduit



Cat. No.	Pipe Size (in.) Metric Size Designator*	Outside Diameter Steel Only (in.) (mm)	Outside Diameter with PVC (in.) (mm)	Nominal Wall Thickness Steel Only (in.) (mm)	Nominal Wall Thickness with PVC (in.) (mm)	Nominal Inside Diameter (in.) (mm)	Cross Section Area in Square (in.) (mm)	Length without Couplings (ft) (m)	Minimum Weight per Foot Steel only (lbs) (kg)	
										Steel
COND1/2- <u> </u>	COND1/2SA- <u> </u>	1/2	0.84	0.92	0.10	0.14	0.63	0.30	9'11 1/4"	0.79
		16	21.30	23.30	2.64	3.56	16.10	7.72	3.03	0.36
COND3/4- <u> </u>	COND3/4SA- <u> </u>	3/4	1.05	1.13	0.11	0.15	0.84	0.53	9'11 1/4"	1.05
		21	26.70	28.70	2.71	3.73	21.20	13.53	3.03	0.48
COND1- <u> </u>	COND1SA- <u> </u>	1	1.32	1.40	0.13	0.17	1.06	0.86	9'11"	1.53
		27	33.40	35.40	3.20	4.21	27.00	21.94	3.02	0.69
COND1-1/4- <u> </u>	COND1-1/4SA- <u> </u>	1 1/4	1.66	1.74	0.13	0.17	1.39	1.50	9'11"	2.01
		35	42.20	44.10	3.37	4.39	35.40	37.97	3.02	0.91
COND1-1/2- <u> </u>	COND1-1/2SA- <u> </u>	1 1/2	1.90	1.98	0.14	0.18	1.62	2.04	9'11"	2.40
		41	48.30	50.20	3.50	4.52	41.20	51.71	3.02	1.09
COND2- <u> </u>	COND2SA- <u> </u>	2	2.38	2.46	0.15	0.19	2.08	3.36	9'11"	3.32
		53	60.30	62.30	3.70	4.72	52.90	85.21	3.02	1.51
COND2-1/2- <u> </u>	COND2-1/2SA- <u> </u>	2 1/2	2.88	2.96	0.19	0.23	2.49	4.80	9'10 1/2"	5.27
		63	73.00	75.00	4.90	5.91	63.20	121.61	3.01	2.39
COND3- <u> </u>	COND3SA- <u> </u>	3	3.50	3.58	0.21	0.25	3.09	7.39	9'10 1/2"	6.83
		78	88.90	90.90	5.20	6.22	78.50	187.80	3.01	3.10
COND3-1/2- <u> </u>	COND3-1/2SA- <u> </u>	3 1/2	4.00	4.08	0.22	0.26	3.57	9.87	9'10 1/4"	8.31
		91	101.60	103.60	5.46	6.47	90.70	250.60	3.00	3.77
COND4- <u> </u>	COND4SA- <u> </u>	4	4.50	4.58	0.23	0.27	4.05	12.73	9'10 1/4"	9.73
		103	114.30	116.30	5.71	6.73	102.90	323.34	3.00	4.41
COND5- <u> </u>	COND5SA- <u> </u>	5	5.56	5.64	0.25	0.29	5.07	20.01	9'10"	13.14
		129	141.30	143.30	6.22	7.23	128.90	508.15	3.00	5.96
COND6- <u> </u>	COND6SA- <u> </u>	6	6.63	6.71	0.27	0.31	6.09	28.89	9'10"	17.46
		155	168.30	170.30	6.75	7.87	154.80	733.83	3.00	7.92

Note – Inches, feet and pounds are indicated in bold type. Metric measure is directly below bold type.
 * Metric size designator (ANSI C80.1-1994).

Cat. No.	Size	Material	Colour
COND 3/4	3/4	—	—
		Blank = Steel	_ = space for color identifier
		SA = Aluminum	G = Gray
			W = White
			B = Blue
Custom colors also available.			

Catalog No. Example:
 COND3/4-G is 3/4" steel conduit coated in gray PVC.



Ocal-Blue couplings

Corrosion-protected connections for conduit sections



Product features

- Nominal .002" (2 mil) blue urethane coating on interior and threads
- Minimum .040" (40 mil) PVC coating bonded to exterior – in your choice of blue, white, gray or custom colors
- Straight threads (NPS)
- Molded ribs on outer coating for easy installation
- (up to and including 4" trade size)
- Pressure-sealing sleeves protect your connection separately

Ocal-Blue couplings



Cat. No.	Coupling Size (in.) Metric Size Designator*		Minimum Length of Metal (in.) (mm)	Total Minimum Length Including Sleeve (in.) (mm)	Weight Steel only (lbs) (kg)
	Steel	Aluminium			
CPL1/2- <u> </u>	CPL1/2SA- <u> </u>	1/2	1.50	3.75	0.13
		16	38.10	95.25	0.06
CPL3/4- <u> </u>	CPL3/4SA- <u> </u>	3/4	1.53	3.75	0.19
		21	38.91	95.25	0.85
CPL1- <u> </u>	CPL1SA- <u> </u>	1	1.91	4.94	0.33
		27	48.41	139.70	0.15
CPL1-1/4- <u> </u>	CPL1-1/4SA- <u> </u>	1 1/4	1.91	5.50	0.43
		35	48.41	139.70	0.19
CPL1-1/2- <u> </u>	CPL1-1/2SA- <u> </u>	1 1/2	1.91	5.75	0.56
		41	48.41	146.05	0.25
CPL2- <u> </u>	CPL2SA- <u> </u>	2	1.94	5.94	0.77
		53	49.19	150.79	0.35
CPL2-1/2- <u> </u>	CPL2-1/2SA- <u> </u>	2 1/2	2.88	6.88	1.85
		63	73.10	174.70	0.83
CPL3- <u> </u>	CPL3SA- <u> </u>	3	3.03	7.03	2.70
		78	76.98	178.58	1.22
CPL3-1/2- <u> </u>	CPL3-1/2SA- <u> </u>	3 1/2	3.09	7.09	3.78
		91	78.58	180.18	1.70
CPL4- <u> </u>	CPL4SA- <u> </u>	4	3.19	7.19	3.08
		103	80.97	182.57	1.39
CPL5- <u> </u>	CPL5SA- <u> </u>	5	3.37	7.37	5.00
		129	85.69	187.29	2.25
CPL6- <u> </u>	CPL6SA- <u> </u>	6	3.44	7.44	8.00
		155	87.29	188.89	3.60

Note – Inches, feet and pounds are indicated in bold type. Metric measure is directly below bold type.

* Metric size designator (ANSI C80.1-1994).


Cat. No.	Size	Material	Colour
----------	------	----------	--------

CPL 1 SA -

Blank = Steel = space for color identifier

SA = Aluminum G = Gray 

W = White 

B = Blue 

Catalog No. Example:

CPL1SA-B is a 1" aluminum coupling coated in blue PVC.

Custom colors also available.

Ocal-Blue double-coat split couplings

Join threaded conduit where you can't use a standard coupling



TCC Split Coupling

Split couplings serve as speed unions for cost-effective joining of two separate lengths of threaded conduit. Like other Ocal fittings, they're double coated in urethane and PVC to safeguard your entire conduit system against corrosion.

Product features

- Malleable iron construction
- Nominal .002" (2 mil) blue urethane on both interior and exterior
- Minimum .040" (40 mil) PVC bonded to exterior
- PVC coating in your choice of blue, white and gray standard colors with custom colors available on request
- Stainless steel hardware included separately

Ocal-Blue double-coat split couplings

Cat. No.	Pipe Size (in.)	Metric Size Designator*
TCC1- <u> </u>	1/2	16
TCC2- <u> </u>	3/4	21
TCC3- <u> </u>	1	27
TCC4- <u> </u>	1 1/4	35
TCC5- <u> </u>	1 1/2	41
TCC6- <u> </u>	2	53

* Metric size designator (ANSI C80.1-1994).


Cat. No.	Pipe Size (in.)	Metric Size Designator*
TCC7- <u> </u>	2 1/2	63
TCC8- <u> </u>	3	78
TCC9- <u> </u>	3 1/2	91
TCC10- <u> </u>	4	103
TCC12- <u> </u>	5	129
TCC14- <u> </u>	6	155


* Metric size designator (ANSI C80.1-1994).

Cat. No.	Size	Colour
TCC	1	

 = space for color identifier

G = Gray 

W = White 

B = Blue 

Custom colors also available.

Note: The use of standard couplings is recommended whenever possible over the use of split couplings, because standard couplings provide better overall corrosion protection.

Ocal-Blue nipples

Speed up your field installations with pre-threaded conduit nipples



Product features

- Made from Ocal PVC-coated steel or aluminum conduit
- Blue urethane coating over threads
- Nominal .002" (2 mil) blue urethane on interior
- Minimum .040" (40 mil) PVC coating on exterior – choose blue, white, gray or custom colors
- Color-coded thread protectors for easy identification of conduit size
- Available in 11 standard lengths – close and 2" to 12" with custom lengths available on request
- Close nipples are coated only in urethane

PVC-coated conduit nipples – steel



Pipe Size (in.) Metric Size*	Nipple Length (in.) (mm)										
	Close	2" 50.8	2½" 63.5	3" 76.2	3½" 88.9	4" 101.6	5" 127.0	6" 152.4	8" 203.2	10" 254.0	12" 304.8
½"	CLNPL1/2- 16	NPL1/2X2- 16	NPL1/2X21/2- 16	NPL1/2X3- 16	NPL1/2X31/2- 16	NPL1/2X4- 16	NPL1/2X5- 16	NPL1/2X6- 16	NPL1/2X8- 16	NPL1/2X10- 16	NPL1/2X12- 16
¾"	CLNPL3/4- 21	NPL3/4X2- 21	NPL3/4X21/2- 21	NPL3/4X3- 21	NPL3/4X31/2- 21	NPL3/4X4- 21	NPL3/4X5- 21	NPL3/4X6- 21	NPL3/4X8- 21	NPL3/4X10- 21	NPL3/4X12- 21
1"	CLNPL1- 27	NPL1X2- 27	NPL1X21/2- 27	NPL1X3- 27	NPL1X31/2- 27	NPL1X4- 27	NPL1X5- 27	NPL1X6- 27	NPL1X8- 27	NPL1X10- 27	NPL1X12- 27
1¼"	CLNPL11/4- 35	NPL11/4X2- 35	NPL11/4X21/2- 35	NPL11/4X3- 35	NPL11/4X31/2- 35	NPL11/4X4- 35	NPL11/4X5- 35	NPL11/4X6- 35	NPL11/4X8- 35	NPL11/4X10- 35	NPL11/4X12- 35
1½"	CLNPL11/2- 41	NPL11/2X2- 41	NPL11/2X21/2- 41	NPL11/2X3- 41	NPL11/2X31/2- 41	NPL11/2X4- 41	NPL11/2X5- 41	NPL11/2X6- 41	NPL11/2X8- 41	NPL11/2X10- 41	NPL11/2X12- 41
2"	CLNPL2- 53	—	NPL2X21/2- 53	NPL2X3- 53	NPL2X31/2- 53	NPL2X4- 53	NPL2X5- 53	NPL2X6- 53	NPL2X8- 53	NPL2X10- 53	NPL2X12- 53
2½"	CLNPL21/2- 63	—	—	—	NPL21/2X31/2- 63	NPL21/2X4- 63	NPL21/2X5- 63	NPL21/2X6- 63	NPL21/2X8- 63	NPL21/2X10- 63	NPL21/2X12- 63
3"	CLNPL3- 78	—	—	—	NPL3X31/2- 78	NPL3X4- 78	NPL3X5- 78	NPL3X6- 78	NPL3X8- 78	NPL3X10- 78	NPL3X12- 78
3½"	CLNPL31/2- 91	—	—	—	—	NPL31/2X4- 91	NPL31/2X5- 91	NPL31/2X6- 91	NPL31/2X8- 91	NPL31/2X10- 91	NPL31/2X12- 91
4"	CLNPL4- 103	—	—	—	—	NPL4X4- 103	NPL4X5- 103	NPL4X6- 103	NPL4X8- 103	NPL4X10- 103	NPL4X12- 103
5"	CLNPL5- 129	—	—	—	—	—	NPL5X5- 129	NPL5X6- 129	NPL5X8- 129	NPL5X10- 129	NPL5X12- 129
6"	CLNPL6- 155	—	—	—	—	—	—	NPL6X5- 155	NPL6X6- 155	NPL6X8- 155	NPL6X10- 155

* Metric size designator (ANSI C80.1-1994).

Cat. No. Size x Length Material Colour

NPL 3/4 x 6 — —

Blank = Steel _ = space for color identifier

SA = Aluminum G = Gray

W = White

B = Blue

Catalog No. Example:

NPL3/4X6-G is a ¾" x 6" long steel nipple coated in gray PVC.

Custom colors also available.

Ocal-Blue nipples (continued)



PVC-coated conduit nipples – Aluminum

Pipe Size (in.) Metric Size*	Close	Nipple Length (in.) (mm)									
		2"	2½"	3"	3½"	4"	5"	6"	8"	10"	12"
1/2"		50.8	63.5	76.2	88.9	101.6	127.0	152.4	203.2	254.0	304.8
16	CLNPL1/2SA-	NPL1/2X2SA-	NPL1/2X21/2SA-	NPL1/2X3SA-	NPL1/2X31/2SA-	NPL1/2X4SA-	NPL1/2X5SA-	NPL1/2X6SA-	NPL1/2X8SA-	NPL1/2X10SA-	NPL1/2X12SA-
3/4"	CLNPL3/4SA-	NPL3/4X2SA-	NPL3/4X21/2SA-	NPL3/4X3SA-	NPL3/4X31/2SA-	NPL3/4X4SA-	NPL3/4X5SA-	NPL3/4X6SA-	NPL3/4X8SA-	NPL3/4X10SA-	NPL3/4X12SA-
21	CLNPL1SA-	NPL1X2SA-	NPL1X21/2SA-	NPL1X3SA-	NPL1X31/2SA-	NPL1X4SA-	NPL1X5SA-	NPL1X6SA-	NPL1X8SA-	NPL1X10SA-	NPL1X12SA-
27	CLNPL11/4SA-	NPL11/4X2SA-	NPL11/4X21/2SA-	NPL11/4X3SA-	NPL11/4X31/2SA-	NPL11/4X4SA-	NPL11/4X5SA-	NPL11/4X6SA-	NPL11/4X8SA-	NPL11/4X10SA-	NPL11/4X12SA-
35	CLNPL11/2SA-	NPL11/2X2SA-	NPL11/2X21/2SA-	NPL11/2X3SA-	NPL11/2X31/2SA-	NPL11/2X4SA-	NPL11/2X5SA-	NPL11/2X6SA-	NPL11/2X8SA-	NPL11/2X10SA-	NPL11/2X12SA-
41	CLNPL2SA-		NPL2X21/2SA-	NPL2X3SA-	NPL2X31/2SA-	NPL2X4SA-	NPL2X5SA-	NPL2X6SA-	NPL2X8SA-	NPL2X10SA-	NPL2X12SA-
53	CLNPL21/2SA-				NPL21/2X31/2SA-	NPL21/2X4SA-	NPL21/2X5SA-	NPL21/2X6SA-	NPL21/2X8SA-	NPL21/2X10SA-	NPL21/2X12SA-
63	CLNPL3SA-				NPL3X31/2SA-	NPL3X4SA-	NPL3X5SA-	NPL3X6SA-	NPL3X8SA-	NPL3X10SA-	NPL3X12SA-
78	CLNPL31/2SA-					NPL31/2X4SA-	NPL31/2X5SA-	NPL31/2X6SA-	NPL31/2X8SA-	NPL31/2X10SA-	NPL31/2X12SA-
91	CLNPL4SA-						NPL4X4SA-	NPL4X5SA-	NPL4X6SA-	NPL4X8SA-	NPL4X10SA-
103	CLNPL5SA-							NPL5X5SA-	NPL5X6SA-	NPL5X8SA-	NPL5X10SA-
129	CLNPL6SA-								NPL6X5SA-	NPL6X6SA-	NPL6X8SA-
155										NPL6X10SA-	NPL6X12SA-

* Metric size designator (ANSI C80.1-1994).

Cat. No.	Size x Length	Material	Colour
NPL	3/4 x 6	SA -	W
		Blank = Steel _ = space for color identifier	
		SA = Aluminum G = Gray	
			W = White
			B = Blue
Catalog No. Example:			
NPL3/4X6-G is a 3/4" x 6" long steel nipple coated in gray PVC.			
Custom colors also available.			

Ocal-Blue standard-radius elbows

Factory bent to save wasted time and materials.



Product features




- Fabricated from Ocal PVC-coated conduit
- Standard radii in 30°, 45°, 60° and 90° available for immediate shipment
- Color-coded thread protectors for easy identification of conduit size

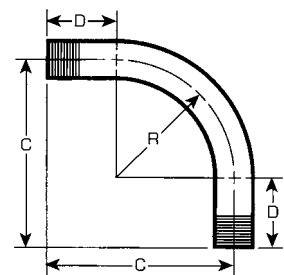
Ocal-Blue standard-radius elbows



Cat. No.	Pipe Size		Radius "R"		Offset "C"		Straight End "D"		Unbent Length		Weight Steel only		
	Steel	Aluminium	(in.)	Metric Size Designator*	(in.)	(mm)	(in.)	(mm)	(in.)	(mm)	(lbs)	(kg)	
ELL1/2-_-	ELL1/2-_-SA-	1/2	16	4.00	101.60	6.00	152.40	2.00	50.80	10.28	261.19	0.67	16.95
ELL3/4-_-	ELL3/4-_-SA-	3/4	21	4.50	114.30	6.50	165.10	2.00	50.80	11.07	281.14	0.95	24.07
ELL1-_-	ELL1-_-SA-	1	27	5.75	146.05	8.00	203.20	2.25	57.15	13.53	343.71	1.77	44.97
ELL11/4-_-	ELL11/4-_-SA-	1 1/4	35	7.25	184.15	9.50	241.30	2.25	57.15	15.89	403.56	2.55	64.80
ELL11/2-_-	ELL11/2-_-SA-	1 1/2	41	8.25	209.55	11.00	279.40	2.75	69.85	18.46	468.86	3.98	101.13
ELL2-_-	ELL2-_-SA-	2	53	9.50	241.30	13.00	330.20	3.50	88.90	21.92	556.83	6.33	160.86
ELL21/2-_-	ELL21/2-_-SA-	2 1/2	63	10.50	266.70	14.00	355.60	3.50	88.90	23.49	596.73	9.65	245.09
ELL3-_-	ELL3-_-SA-	3	78	13.00	330.20	16.50	419.10	3.50	88.90	27.42	696.48	15.42	391.77
ELL31/2-_-	ELL31/2-_-SA-	3 1/2	91	15.00	381.00	20.75	527.05	5.75	146.05	35.06	890.57	23.30	591.84
ELL4-_-	ELL4-_-SA-	4	103	16.00	406.40	21.75	552.45	5.75	146.05	36.63	930.47	29.68	753.80
ELL5-_-	ELL5-_-SA-	5	129	24.00	609.60	31.00	787.40	7.00	177.80	51.70	1313.16	60.82	1544.89
ELL6-_-	ELL6-_-SA-	6	155	30.00	762.00	39.00	990.60	9.00	228.60	65.12	1654.15	85.69	2176.51

* Metric size designator (ANSI C80.1-1994).

Cat. No.	Pipe Size	Angle	Material	Colour
ELL	3/4-	-	-	-
		30 = 30°	Blank = Steel	
		45 = 45°	SA = Aluminum	G = Gray 
		60 = 60°		W = White 
		Blank = 90°		B = Blue 
Catalog No. Example:				
ELL3/4X6-G is a 3/4" trade size 90° aluminum elbow coated in white PVC.				
				Custom colors also available.



Ocal PVC-coated beam clamps and U-bolts

PVC coating evenly molded around saddle prevents exposure of metal – an Ocal exclusive



Parallel (PAR)



Edge (EC)

Product features

- Beam clamps support and attach conduit runs to structural beams
- Molded right-angle beam clamps and U-bolts provide extra protection
- Encapsulated, hex-shaped nuts fit standard wrenches
- Stainless steel hardware included
- Parallel (PAR) and edge (EC) clamps feature nominal .015" (15 mil) PVC coating for corrosion protection
- Right-Angle clamps (RA) and U-Bolts (UB) feature nominal .040" (40 mil) PVC coating for corrosion protection

PVC-coated beam clamps

Cat. No.	Parallel	Edge	Pipe Size (in.)	Metric Size Designator*
RA1/2- <u> </u>	PAR1/2- <u> </u>	EC1/2- <u> </u>	1/2	16
RA3/4- <u> </u>	PAR3/4- <u> </u>	EC3/4- <u> </u>	3/4	21
RA1- <u> </u>	PAR1- <u> </u>	EC1- <u> </u>	1	27
RA1-1/4- <u> </u>	PAR1-1/4- <u> </u>	EC1-1/4- <u> </u>	1 1/4	35
RA1-1/2- <u> </u>	PAR1-1/2- <u> </u>	EC1-1/2- <u> </u>	1 1/2	41
RA2- <u> </u>	PAR2- <u> </u>	EC2- <u> </u>	2	53
RA2-1/2- <u> </u>	PAR2-1/2- <u> </u>	—	2 1/2	63
RA3- <u> </u>	PAR3- <u> </u>	—	3	78
RA3-1/2- <u> </u>	PAR3-1/2- <u> </u>	—	3 1/2	91
RA4- <u> </u>	PAR4- <u> </u>	—	4	103

Metric size designator (ANSI C80.1-1994).

PVC-coated U-bolts

Cat. No.	Pipe Size (in.)	Metric Size Designator*	"A" Dimension	
			(in.)	(mm)
UB1/2- <u> </u>	1/2	16	1.38	34.93
UB3/4- <u> </u>	3/4	21	1.56	39.69
UB1- <u> </u>	1	27	1.84	46.83
UB1-1/4- <u> </u>	1 1/4	35	2.19	55.56
UB1-1/2- <u> </u>	1 1/2	41	2.50	63.50
UB2- <u> </u>	2	53	2.97	75.41
UB2-1/2- <u> </u>	2 1/2	63	3.47	88.11
UB3- <u> </u>	3	78	4.09	103.98
UB3-1/2- <u> </u>	3 1/2	91	4.59	116.68
UB4- <u> </u>	4	103	5.09	129.38
UB5- <u> </u>	5	129	6.63	168.28
UB6- <u> </u>	6	155	8.00	203.20

Metric size designator (ANSI C80.1-1994).

Cat. No.	Colour
----------	--------

RA1-

 = space for color identifier

G = Gray 

W = White 

B = Blue 

Custom colors also available.



Right Angle (RA)

Cat. No.	Size	Colour
----------	------	--------

UB 1-

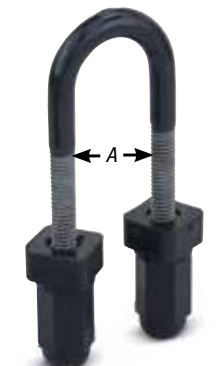
 = space for color identifier

G = Gray 

W = White 

B = Blue 

Custom colors also available.



U-Bolt (UB)

Pipe Straps

Support conduit on walls and structures



Fig. 1



Fig. 2



Fig. 3

One-hole PV coated pipe ptrap



Fig. 4



Fig. 5

Two-hole PVC-coated pipe strap

Product features

- Available in malleable iron/stamped steel with nominal .015" (15 mil) PVC coating in your choice of blue, white or gray or in 303 stainless steel
- Choose one- or two-hole versions
- Sized to allow for the extra thickness of the PVC coating

PVC-coated pipe straps

Cat. No.	Pipe Size (in.)	Figure
One-Hole malleable iron		
1277CR*	3/4	1
1278CR*	1	1
1HS1C-G**	1	2
1HMS1-1/4-G**	1 1/4	3
1280CR*	1 1/2	1
1HMS2-C_	2	4
1HMS2-1/2-C_	2 1/2	4
1HMS3-C_	3	4
1HMS4-C_	4	4
Two holes malleable iron		
2HMS2-C_	2	5
2HMS2-1/2-C_	2 1/2	5
2HMS3-C_	3	5
2HMS4-C_	4	5

* CSA certified

** UL non applicable

Cat. No.	Colour
----------	--------

_ = space for color identifier

G = Gray 

W = White 

B = Blue 

Custom colors also available.

Ocal PVC-coated clamp-back spacers

Use as spacers with one-hole pipe straps



Product features

- Provides space for air flow between conduit and mounting surface
- Nominal .015" (15 mil) PVC coating for corrosion protection

Ocal PVC-coated clamp-back spacers

Cat. No.	Pipe Size (in.)	Metric Size Designator*
CB1/2- _	1/2	16
CB3/4- _	3/4	21
CB1- _	1	27
CB1-1/4- _	1 1/4	35
CB1-1/2- _	1 1/2	41
CB2- _	2	53
CB2-1/2- _	2 1/2	63
CB3- _	3	78
CB3-1/2- _	3 1/2	91
CB4- _	4	103

Cat. No.	Colour
----------	--------

CB1-

_ = space for color identifier

G = Gray 

W = White 

B = Blue 

Custom colors also available.