

Conduit sleeve couplings

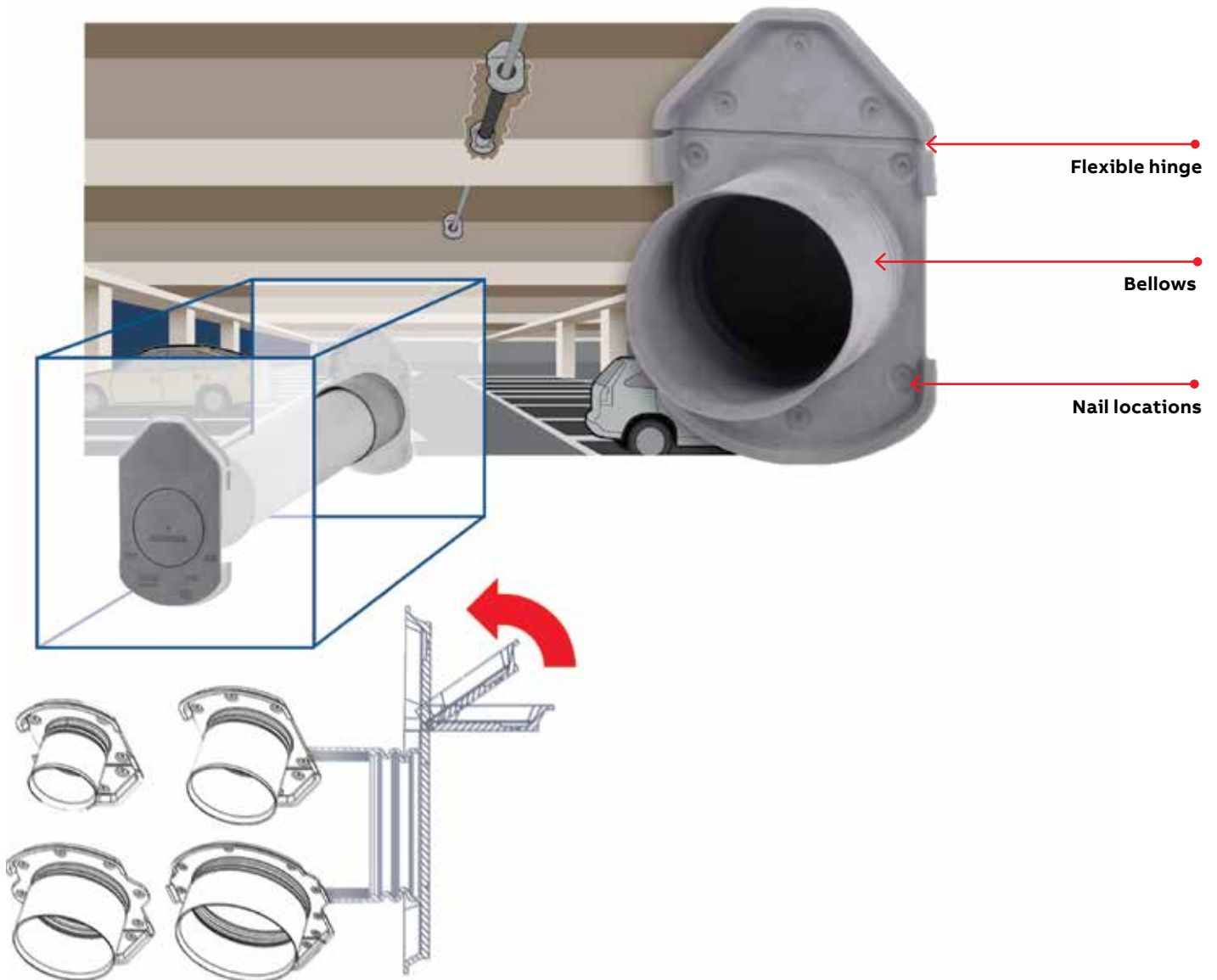
Pass-through for concrete walls, columns and posts

Carlson conduit sleeve couplings are specifically designed for pass-through applications in concrete construction. They're manufactured from thermoplastic elastomer (TPE) so they're concrete-tight and flexible enough to mount to any surface. They can be mounted in vertical wall spans or angled wall spans up to 30° per side.

Carlson conduit sleeve couplings are fast and easy to install and can be immediately accessed or left dark until needed. They eliminate the need for duct tape, clamps and special mounting means while providing superior aesthetics by blending into the concrete.

Applications

Concrete walls, columns and posts.



Conduit sleeve couplings



Features

- Exclusive
- Manufactured from TPE, concrete-tight
- Flexible hinge provides alignment of pass-through with ceiling
- Bellows – mounts to vertical walls and angled walls up to 30°
- Quick and easy installation

- Eliminates the use of duct tape and clamps
- Manufactured to IPS dimensions for use with most conduit types
- Superior aesthetics (blends in to the concrete)
- Trade sizes: 2 in., 3 in., 4 in. and 6 in.
- Future-proofs the structure – pass-through remains dark and protected until needed

Note: Firestop (where needed) and conduit not included

Specifications

Cat. no.	Size (in.)	Std. ctn. qty.	Std. ctn. wt. (lb)
E992J	2	84	13.0
E992L	3	30	8.3
E992N	4	22	8.6
E992R	6	18	13.0

Diagrams

