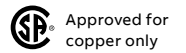


CL Series

20 A 600 V; transformer rated

Product specifications

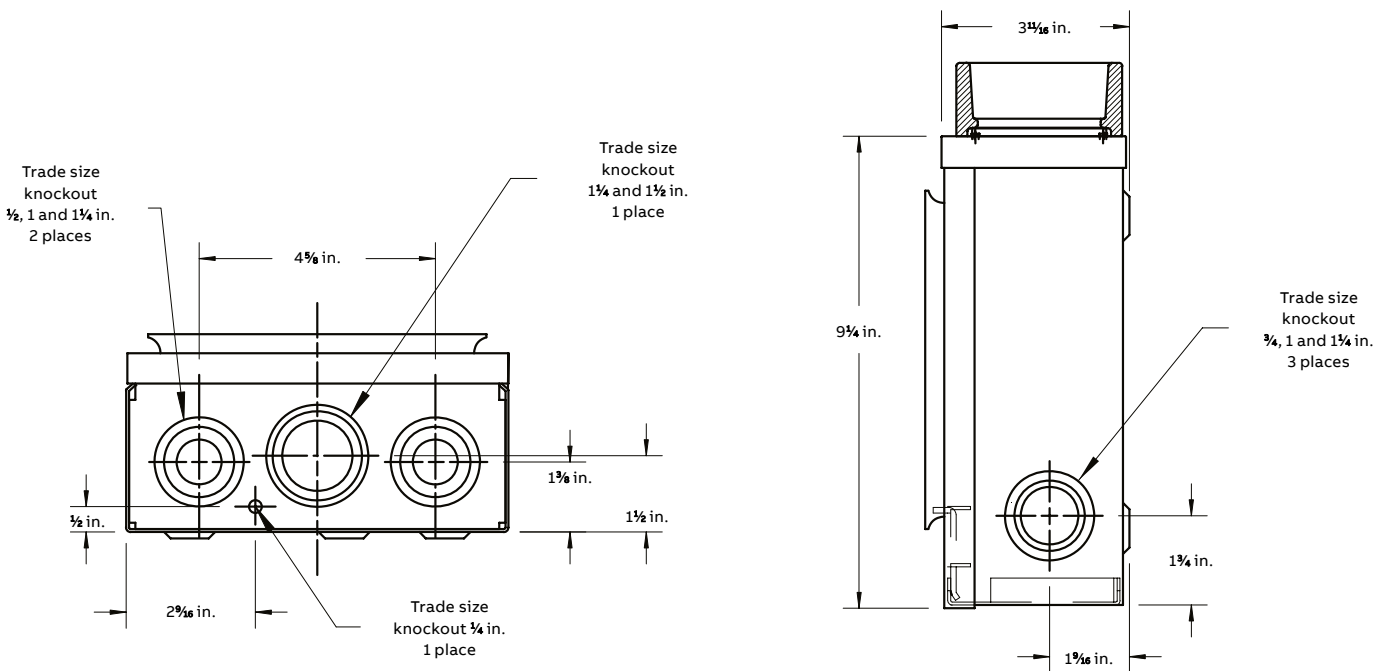
- Conductor range: 14–10 AWG
- Aluminum tunnel type connectors for both load and line sides
- Circuit closing feature to short out current transformer upon removal of meter
- For overhead hub opening only
- Supplied with screw type ring
- Weatherproof Type 3R enclosure



Cat. no.	Description	Dimensions (in.)			Weight each	
		H	W	D	lb	kg
4 Jaw						
CL4-V	Circuit closing on left side	9¼	7⅝	3¼ ¹¹ / ₁₆	7	3.1
CL4-TV	Circuit closing on left side, no hub opening					
5 Jaw						
CL5-V	Circuit closing on left side (Lower right hand jaw is a support only)	9¼	7⅝	3¼ ¹¹ / ₁₆	7	3.1



Diagrams

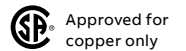


CT Series

20 A 600 V; transformer rated with compartment for test switch

Product specifications

- Conductor range: 14–10 AWG
- Tunnel type connectors for both load and line sides
- For underground service only
- Meter compartment cover overlaps lower test switch compartment cover; insertion of meter securely holds upper cover in place by means of a catch
- Lower test switch compartment cover securely held by upper cover and a catch at bottom
- A removable mounting bridge is provided for fastening test switch
- Supplied with screw type ring



Cat. no.	Description	Dimensions (in.)			Weight each	
		H	W	D	lb	kg
4 Jaw						
CT104	Unwired unit with test switch provision	19 $\frac{3}{8}$	12	5 $\frac{3}{8}$	16	7.2
5 Jaw						
CT105	Unwired unit with test switch provision	19 $\frac{3}{8}$	12	5 $\frac{3}{8}$	16	7.2
8 Jaw						
CT108	Unwired unit with test switch provision	19 $\frac{3}{8}$	12	5 $\frac{3}{8}$	18	8.1
13 Jaw						
CT113	Unwired unit with test switch provision	19 $\frac{3}{8}$	12	5 $\frac{3}{8}$	19	8.6

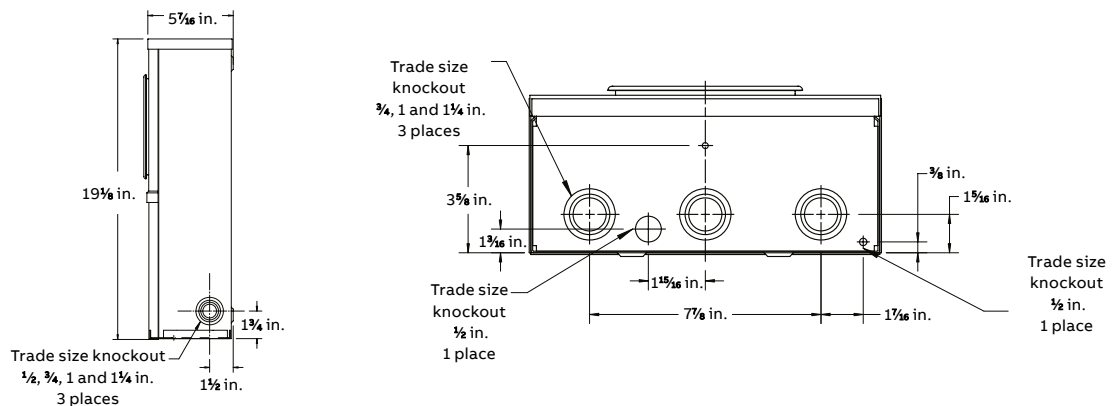


Lower test switch compartment cover securely held by upper cover and a lockout device with an enlarged pad hole (0.375 in. dia.)

Cat. no.	Description	Dimensions (in.)			Weight each	
		H	W	D	lb	kg
5 Jaw						
CT105-L	BC Hydro approved with SWL cover with enlarged padlock hole	19 $\frac{3}{8}$	12	5 $\frac{3}{8}$	16	7.2
8 Jaw						
CT108-L	BC Hydro approved with SWL cover with enlarged padlock hole	19 $\frac{3}{8}$	12	5 $\frac{3}{8}$	18	8.1
13 Jaw						
CT113-L	BC Hydro approved with SWL cover with enlarged padlock hole	19 $\frac{3}{8}$	12	5 $\frac{3}{8}$	19	8.6



Diagrams

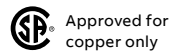


CT-SWL Series

20 A 600 V; transformer rated with test switch

Product specifications

- Conductor range: 14–10 AWG
- Tunnel type connectors for both load and line sides
- For underground service only
- Lower test switch compartment cover securely held by upper cover and a lockout device with an enlarged pad hole (0.375 in. dia.)
- Test switch included as part of these models
- Units are prewired from base to test switch
- Furnished with tamper-resistant device for meter ring
- Weatherproof Type 3R enclosure



Cat. no.	Description	Dimensions (in.)			Weight each	
		H	W	D	lb	kg
4 Jaw						
CT104-SWL	Factory prewired unit with lockout device on bottom door	19 ¹ / ₈	11 ¹³ / ₁₆	5 ⁷ / ₁₆	18	8.2
CT104-6SWL	Factory prewired unit with lockout device on bottom door (Enmax approved) 5 th jaw in 6 o'clock position	19 ¹ / ₈	11 ¹³ / ₁₆	5 ⁷ / ₁₆	18	8.2
CT104-5SWLHQ	Hydro-Québec approved 20 A current transformer meter socket	18	8 ¹ / ₄	4 ¹ / ₂	11	5.4
5 Jaw						
CT105-SWLMH	Manitoba Hydro approved 20 A current transformer meter socket	19 ¹ / ₈	11 ¹³ / ₁₆	5 ⁷ / ₁₆	21	9.5
CT105-SWLHO	Hydro One approved 20 A current transformer meter socket	18	8 ¹ / ₈	4 ³ / ₁₆	13	6
6 Jaw						
CT106-SWL	Factory prewired unit with lockout device on bottom door	19 ¹ / ₈	11 ¹³ / ₁₆	5 ⁷ / ₁₆	21	9.5
CT106-SWLNL	Newfoundland approved 20 A current transformer meter socket	19 ¹ / ₈	11 ¹³ / ₁₆	5 ⁷ / ₁₆	21	9.5
8 Jaw						
CT108-SL	Epcor approved 20A current transformer meter socket	19 ¹ / ₈	11 ¹³ / ₁₆	5 ⁷ / ₁₆	21	9.5
13 Jaw						
CT113-SWL	Factory prewired unit with lockout device on bottom door	19 ¹ / ₈	12	5 ³ / ₈	21	9.5
CT113-SWLNL	Newfoundland approved 20 A current transformer meter socket	19 ¹ / ₈	12	5 ³ / ₈	21	9.5



Diagrams

