

Microelectric® aluminum multi-purpose pole mount bracket



New to the PMB series. Install meter sockets and service entrance equipment on utility poles safely and securely.

Features and benefits

- Supports equipment up to a maximum weight of 50 lb with a safety factor of 4
- 6-inch and 9-inch offset models available
- Supplied complete with a 12- or 24-inch length of Superstrut® metal framing
- Easy to install - 1/2-inch lag bolt and 1/2-inch throughbolt required (not included)
- Corrosion resistant
- Quality manufacturing and compliance with local utility specifications.
- Newfoundland Power approved
- Made in Canada

Microelectric® PBM series Pole-Mount Bracket

Cat. no.	Description	Weight LB	Weight KG
PMB6X12	6 in. offset from pole c/w 12 in. strut	7.7	3.5
PMB6X24	6 in. offset from pole c/w 24 in. strut	9.2	4.2
PMB9X12	9 in. offset from pole c/w 12 in. strut	9.2	4.2
PMB9X24	9 in. offset from pole c/w 24 in. strut	11	5

Multi-purpose, pole-mount bracket

Select from 6" and 9" offset and 12" and 24" strut. Conduit straps not included.

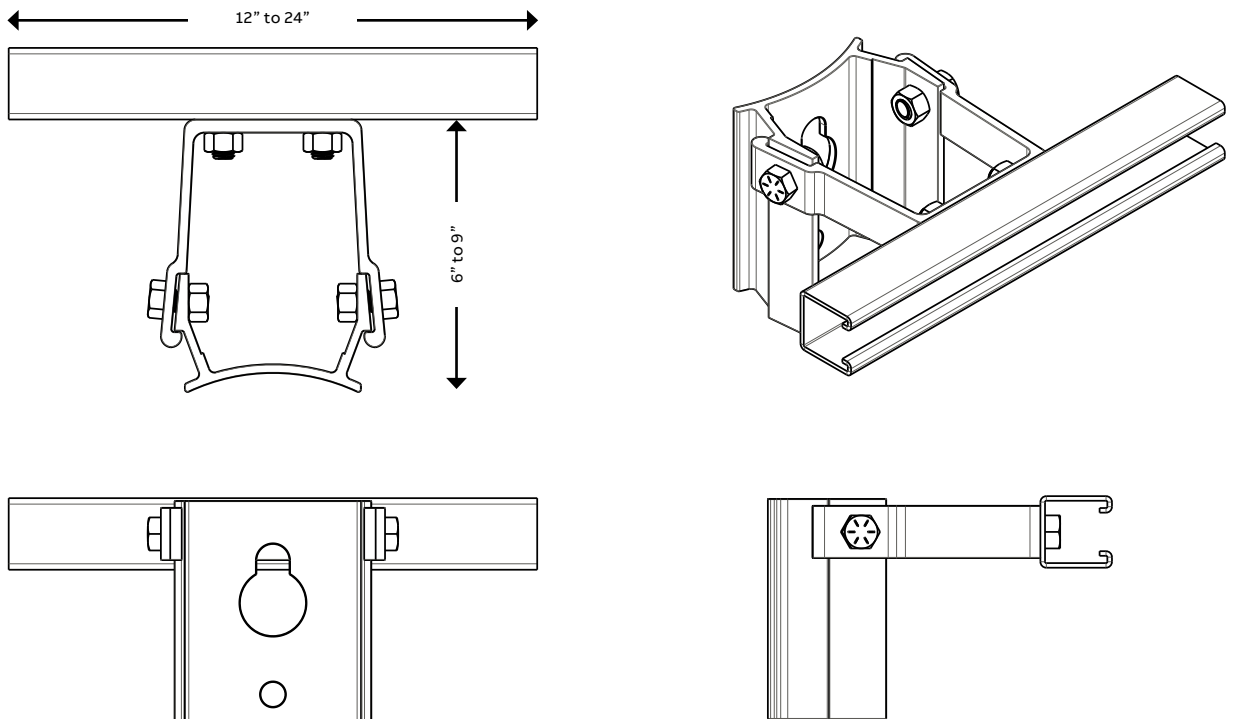


ABB Electrification Canada ULC
Installation Products
 700 Thomas Avenue
 Saint-Jean-sur-Richelieu, Quebec J2X 2M9
 Tel.: +1 (450) 347 5318
 Toll Free: +1 (800) 362 2952
 Fax: +1 (450) 347 1976

We reserve the right to make technical changes or modify the contents of this document without prior notice. With regard to purchase orders, the agreed particulars shall prevail. ABB Inc. does not accept any responsibility whatsoever for potential errors or possible lack of information in this document.

We reserve all rights in this document and in the subject matter and illustrations contained therein. Any reproduction, disclosure to third parties or utilization of its contents – in whole or in parts – is forbidden without prior written consent of ABB Inc. Copyright © 2020 ABB. All rights reserved.