

Iberville® CI2275 90-degree duplex fitting with captive cover screw



New 90 – degree duplex fitting, fits in tight spaces and installs quickly. No more loose or lost screws.

Features and benefits

- Exclusive one-screw design
- Captive screw on the cover
- Allows neat installations
- To use with AC90, ACG90 cables and FMC
- Perfect for tight spaces
- Possibility to hold the cover in up position
- Zinc die cast
- Stock reduction

90 – degree duplex fitting with captive cover screw

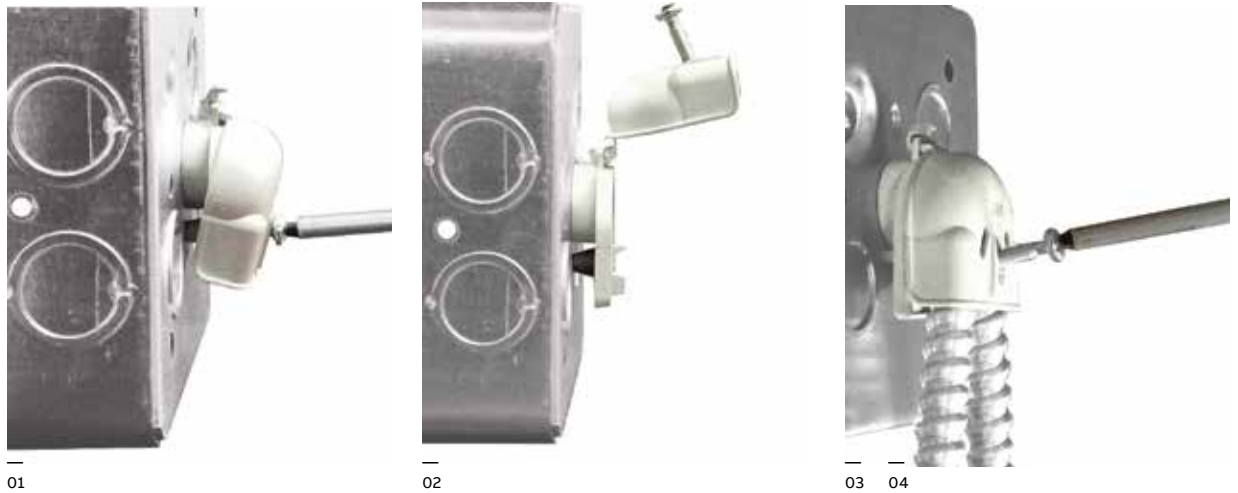


Cat. no.	Description	Dimensions (in.)			Packaging	
		H	W	D	Inner	Outer
CI2275	90–degree duplex fitting 3/8 in. – Zinc	1-31/32	1-21/32	1-17/32	25	100

The fitting must be installed in a 1/2 knockout.

Quick 4-step installation

-
- 01 Insert the fitting into a 1/2 knockout and lock in the desired position with the nut. Unscrew the hood cover with a screwdriver.
-
- 02 Open the hood cover and park it in the “up” position.
-
- 03 Insert the prepared cables or FMC.
-
- 04 Close the hood cover and tighten the screw.



Approved for
ACG & AC cables
14/2 to 10/2, 14/3 to
10/3 and 14/4 to 12/4,
and for FMC size is 3/8.

Material

- Body: Zinc die cast
- Cap: Zinc die cast
- Locknut: Zinc die cast
- Screw: Zinc plated steel

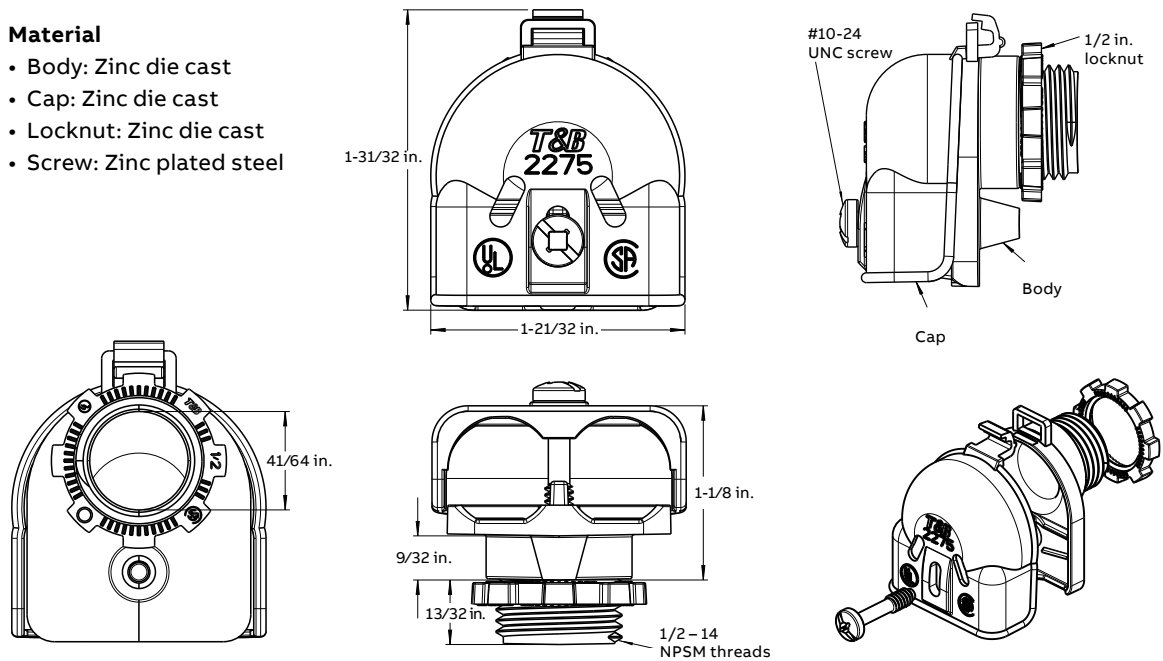


ABB Electrification Canada ULC
Installation Products
700 Thomas Avenue
Saint-Jean-sur-Richelieu, Quebec J2X 2M9
Tel.: +1 (450) 347 5318
Toll Free: +1 (800) 362 2952
Fax: +1 (450) 347 1976

We reserve the right to make technical changes or modify the contents of this document without prior notice. With regard to purchase orders, the agreed particulars shall prevail. ABB Inc. does not accept any responsibility whatsoever for potential errors or possible lack of information in this document.

We reserve all rights in this document and in the subject matter and illustrations contained therein. Any reproduction, disclosure to third parties or utilization of its contents – in whole or in parts – is forbidden without prior written consent of ABB Inc. Copyright © 2020 ABB All rights reserved