

new product



RBL SERIES

Vandal resistant self-powered linear battery unit

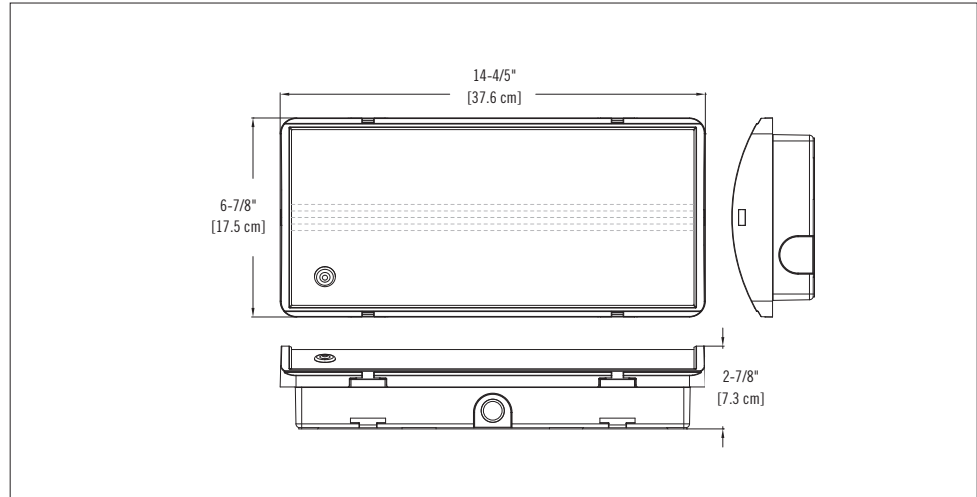
FEATURES

- High impact thermoplastic housing
- Meets IK10 impact rating requirements¹
- Standard surface ceiling and wall mount
- Optional accessory: semi-recessed ceiling mount
- Easily adjustable LED strips for multiple beam angles
- 1200-1300 lumen output
- Dual-mode: normal lighting (field selectable) and emergency lighting
- Self-test and self-diagnostic
- Lithium-ion phosphate battery offering 120 minutes of emergency lighting
- Battery over/under charge protection
- Universal voltage 120V through 347V 60Hz
- Rated for 5°C to 45°C
- Suitable for wet locations
- Meets IP65 rating
- ROHS compliant
- cUL approved to CSA C22.2 No. 141-15
- See warranty details at: www.ready-lite.ca

¹IK ratings refer to impact tests. IK10= Protected against 20 joules of impact (equivalent to 5KG of mass dropped from 40cm high)

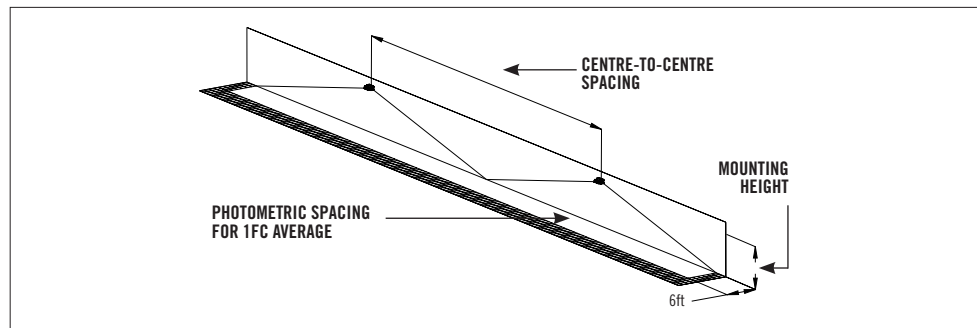
DIMENSIONS

Dimensions are approximate and subject to change.



SPACING

MOUNTING TYPE	SPACING AT 9FT MOUNTING	LUMENS
Ceiling mount	62'	1300
Wall mount	53'	1200



POWER CONSUMPTION AND UNIT RATING

	VOLTAGE	WATTAGE
Normal lighting	120-347 volt	16 watts
Emergency lighting		14 watts

ACCESSORIES (order as a separate item)

DESCRIPTION	ORDERING CODE
Semi recessed mounting bracket	KIT-SR-RL

ORDERING INFORMATION

SERIES	
RBL= Remote linear	EM= dual-mode: normal lighting and/or emergency lighting

EXAMPLE: RBL-EM

