

new product



RRAUR SERIES

Remote recessed architectural fixture

FEATURES

- Recessed installation in T-bar suspended ceiling and easily spring mounted in Gyproc ceiling
- All-metal backbox enclosure
- Housing rated for plenum or insulated ceilings (IC)
- Thermoplastic rectangular fixture with additional round trim-plate, white finish
- Black thermoplastic decorative trim-plates
- Two-wire universal input
- 120-277VAC model with high power factor rating, compatible with central systems
- Fixed optics, optimized light distribution for ceiling heights up to 3.7 m (12')
- Fixed square light pattern
- Four high-intensity LED sources with redundant connections; CCT 5000K
- NSF certified for splash/ non-food zone applications
- Certified cUL to CSA 22.2 No.141
- See warranty details at: www.ready-lite.ca

SUGGESTED SPECIFICATIONS

Supply and install the **RRAUR Series** of recessed emergency lighting unit from **Ready-Lite®**. The unit construction shall include an all-metal housing and a thermoplastic rectangular trim-plate with a detachable circular trim ring for choice of aesthetics. The optics shall be an impact-resistant polycarbonate lens with fixed light distribution, optimized for ceiling heights up to 3.7 m (12'). The housing shall include an isolated compartment for electrical connections and a detachable cover with knockouts for electrical supplies. The unit shall include a hardware kit for installation in T-bar suspended ceilings.

The emergency lights shall be four high-intensity LED with operational life of minimum 36,000 hours, until 70% of the initial light level (reported L70). The LEDs shall have redundant interconnections: eventual failure of one of them shall allow others to function.

The unit shall be cUL certified to CSA 22.2 No.141

The unit shall be **Ready-Lite®** model: _____.

PHOTOMETRY PERFORMANCE

The **RRAUR Series** has a fixed lighting distribution, optimized by design for ceiling heights up to 3.7 m (12'). Along an office corridor the space coverage ranges from 18.9 to 24.4 m (62 to 80'). The square distribution pattern option covers a surface of 67.2m² (729ft²).

TABLE A: STANDARD UNIT 1.83 M [6-FT] WIDE CORRIDOR¹

MOUNTING HEIGHT	SPACING CENTRE-TO-CENTRE
2.4 m [8']	18.9 m [62']
2.7 m [9']	20.7 m [68']
3.1 m [10']	24.4 m [80']
3.7 m [12']	22 m [72']

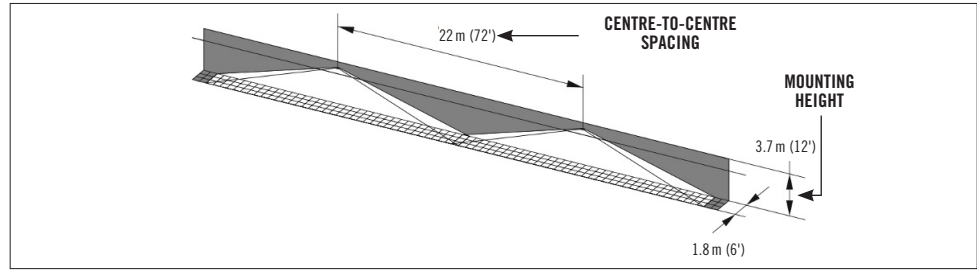
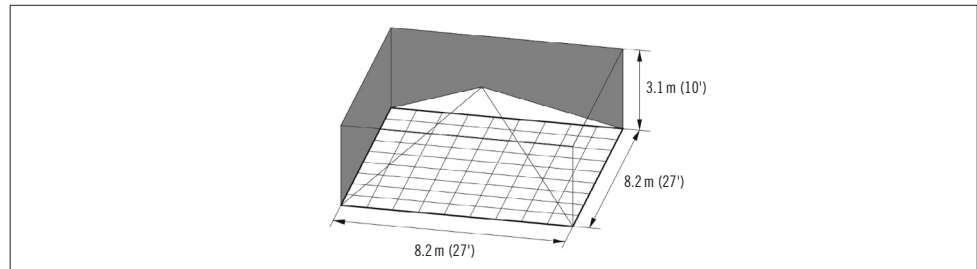


TABLE B: OPTION "SQUARE DISTRIBUTION PATTERN" – SINGLE UNIT COVERAGE¹

MOUNTING HEIGHT	ROOM SIZE	ROOM SURFACE
3.1 m [10']	8.2 m x 8.2 m [27' x 27']	67.2 m ² [729 ft ²]



¹Typical reflectance levels of walls/ceiling/floor: 80/50/20



ELECTRICAL RATINGS

MODEL	V	Hz	A	W	P. F.
AC	120-347VAC	50/60	0.110-0.055	8.4-9.2	0.74-0.49
	120VDC	N/A	0.065	8.2	N/A
AC2	120-277VAC	50/60	0.06-0.035	7.3-9.2	≥0.9
DC	6-24VDC	N/A	1.09-0.33	6.50-7.25	N/A

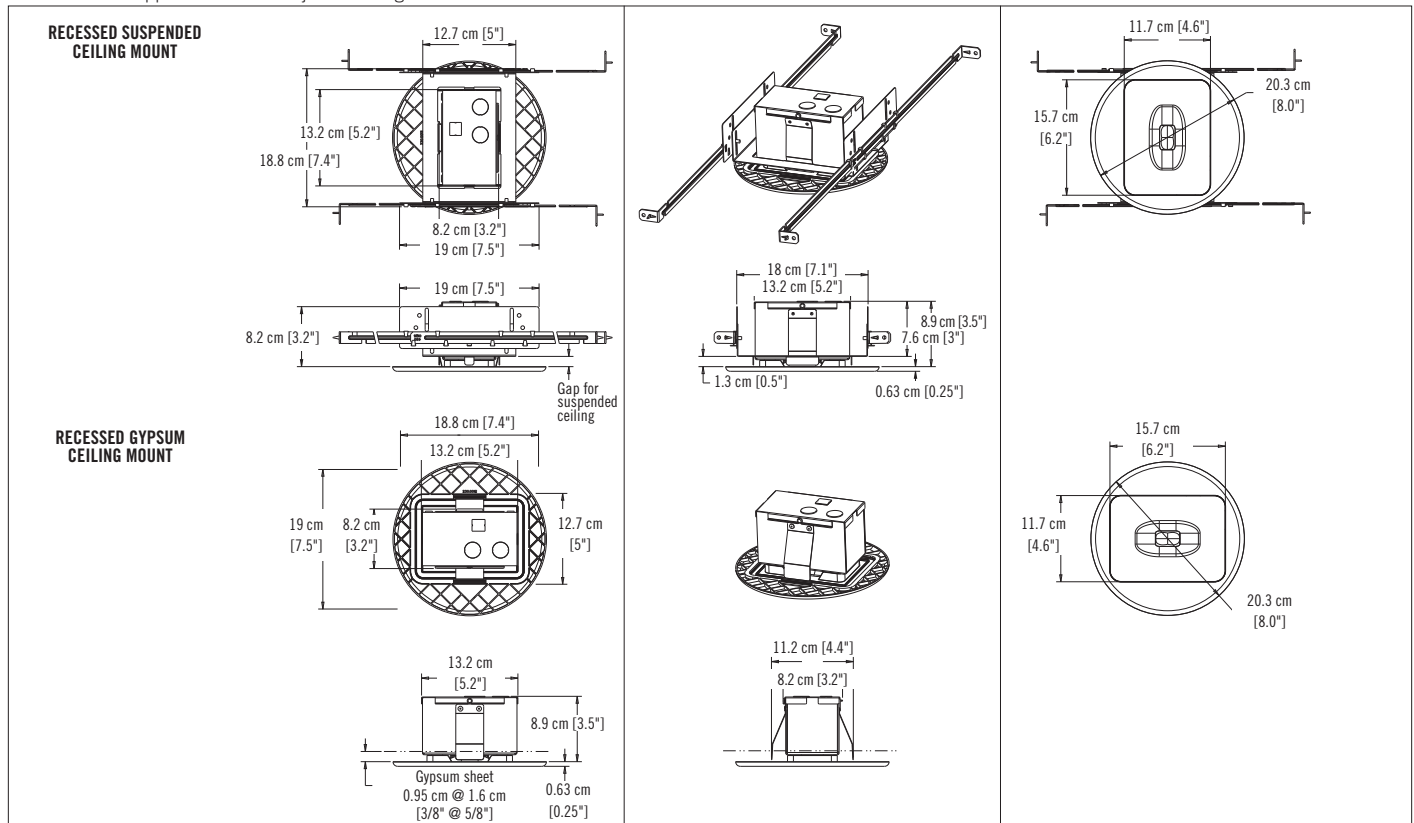


RRAUR SERIES

Remote recessed architectural fixture

DIMENSIONS

Dimensions are approximate and subject to change.



ORDERING INFORMATION

SERIES	COLOUR	VOLTAGE	OPTIONS
RRAUR= Remote recessed architectural fixture	BK= black WH= factory white	AC2= 120 to 277VAC 50/60Hz DC= 6 to 24VDC	Blank= corridor lighting pattern P= plenum/type IC rated ¹ SQ= square distribution pattern

EXAMPLE: RRAURWHDC