



# Nexus<sup>®</sup>Pro Gateway



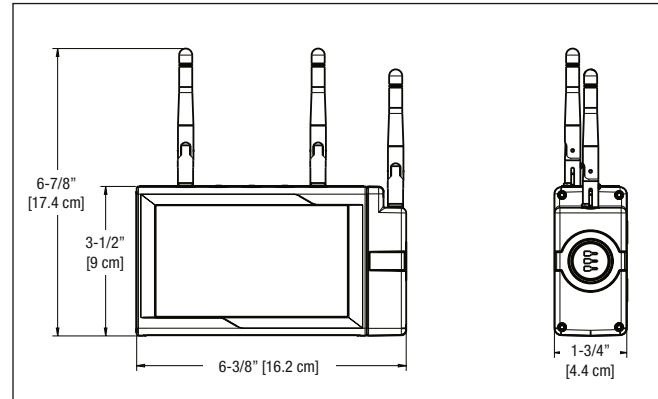
## FEATURES

- IoT Gateway designed to deliver Bluetooth<sup>®</sup> Mesh connectivity
- Gateway can be connected wired or wirelessly to WiFi Routers
- One gateway required per building structure within Nexus<sup>®</sup>Pro<sup>1</sup>
- Each gateway communicates with up to 200 devices
- Supports WiFi connections on both 2.4 GHz and 5 GHz frequency bands for added flexibility
- Supplied with a 24VDC output
- Suitable for installation indoors in a secure location 0°C to 40°C (32°F to 104°F)
- RoHS compliant
- Gateway supplied with a Din-rail that can also be used for wall installation
- 5 year warranty

See warranty details at: [www.tnb.ca/en/brands/lumacell](http://www.tnb.ca/en/brands/lumacell)

## DIMENSIONS

Dimensions are approximate and subject to change.



<sup>1</sup>Note that multiple gateways can be physically installed in a building, supporting up to 200 emergency units each; however, in the Nexus<sup>®</sup>Pro app, gateways must be configured within separate digital building structures (e.g. if two gateways were installed in "Main Building", the gateways could be configured in the Nexus<sup>®</sup>Pro app as "Main Building 1" and "Main Building 2").

## WEIGHT

CATALOGUE NUMBER	WEIGHT
NEXP-GATEWAY-L	1 lb

## POWER CONSUMPTION

CATALOGUE NUMBER	POWER CONSUMPTION
NEXP-GATEWAY-L	4W typical, 15W maximum

## ORDERING INFORMATION

CATALOGUE NUMBER	DESCRIPTION
NEXP-GATEWAY-L	Nexus <sup>®</sup> Pro IoT Gateway