



CMPB-L Series

Miniature LED battery unit



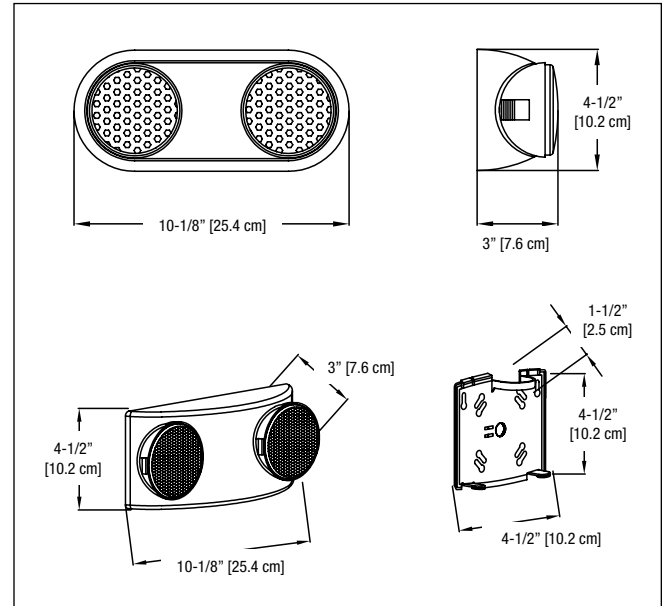
FEATURES

- Fully adjustable LED glare-free lens
- 3.6V 2W long life LED light source
- 120/277/347VAC Input
- Automatic, temperature compensated, pulse type charger
- Low voltage disconnect prevents over discharge of battery
- Automatic brownout protection
- Sealed maintenance-free 3.6V nickel-cadmium battery offering 120 minutes of emergency lighting
- Battery lock-out prevents discharge during installation
- Red LED charger monitor
- Momentary test switch allows for quick operational check
- Injection-molded thermoplastic ABS housing
- Rear keyhole slots and universal knock-outs to mount to any standard 4" junction box
- Injection-molded thermoplastic ABS housing
- Fast and easy installation with snap-together design
- Ceiling or wall mount installation
- Suitable for damp locations
- Use in 5°C-30°C ambient temperature
- Meets CSA C22.2 no.141-15

See warranty details at: www.tnb.ca/en/brands/lumacell

DIMENSIONS

Dimensions are approximate and subject to change.



POWER CONSUMPTION AND UNIT RATING

MODEL	AC SPECS			
		WATTAGE	CURRENT	EFFICIENCY
CM-PB	120V, 50/60 Hz	1.6W	0.012A	0.96PF
	277V, 50/60 Hz	1.8W	0.007A	0.92PF
	347V, 50/60 Hz	2.4W	0.007A	0.92PF

ORDERING INFORMATION

SERIES	VOLTAGE
CM-PB -L	Blank= 120/277/347VAC

EXAMPLE: CM-PB-L