

New product

## EL3FTC Three Phase Series

Fast transfer emergency lighting inverter system 4.8KVA – 50KVA



### Features

- 98% efficient at full load
- PWM/IGBT technology
- Self-testing/self-diagnostic
- User programmable with password protection
- Standard input circuit breaker
- Internal maintenance bypass (MBB)
- RS232 communication port
- Microprocessor controlled
- 30 min. standard run time
- Generator compatibility
- Available in Y or  $\Delta$  input configuration
- Custom voltages available
- Automatic event, test and alarm log
- LCD display
- Reduced footprint
- Maintenance-free VRLA batteries
- Forced air cooling during emergency mode only
- CSA C22.2 No. 141-15. Meets NFPA101



### EL3FTC Series 30 minute run time

Partial model number	Power rating (kW) 30 min.	Voltage in-out VAC	Electronic cabinet dimensions (cm)				Batteries			Battery cabinet dimensions (cm)				Total system weight (kg)	Total no. of cabinets	347V XFM cabinet
			W (cm)	H (cm)	D (cm)	Weight (kg)	No. of batteries	Weight (kg)	W (cm)	H (cm)	D (cm)	Weight (kg)				
1	4.8	120/208 or 277/480	76	119	64	243	12	198	44	157	64	129	570	2		
		347/600		175		329										Top cabinet
2	6.0	120/208 or 277/480	76	119	64	243	15	248	44	157	64	129	620	2		
		347/600		175		329										Top cabinet
3	8.0	120/208 or 277/480	76	119	64	243	20	330	44	157	64	129	702	2		
		347/600		175		329										Top cabinet
4	10.0	120/208 or 277/480	76	119	64	290	12	390	58	196	64	170	850	2		
		347/600		175		386										Top cabinet
5	12.5	120/208 or 277/480	76	119	64	290	15	488	58	196	64	170	948	2		
		347/600		175		396										Top cabinet
6	16.7	120/208 or 277/480	76	119	64	290	20	650	58	196	64	170	1110	2		
		347/600		175		396										Top cabinet
7	24.0	120/208 or 277/480	112	183	79	567	40	1301	122	183	79	295	2163	2		
		347/600				188										702
8	33.0	120/208 or 277/480	112	183	79	567	40	1301	122	183	79	295	2163	2		
		347/600				188										719
9	40.0	120/208 or 277/480	112	183	79	662	60	1951	122	183	79	318	2931	2		
		347/600				188										829
10	50.0	120/208 or 277/480	112	183	79	662	60	1951	122	183	79	318	2931	2		
		347/600				188										829

## EL3FTC Three Phase Series

Fast transfer emergency lighting inverter system 4.8KVA – 50KVA

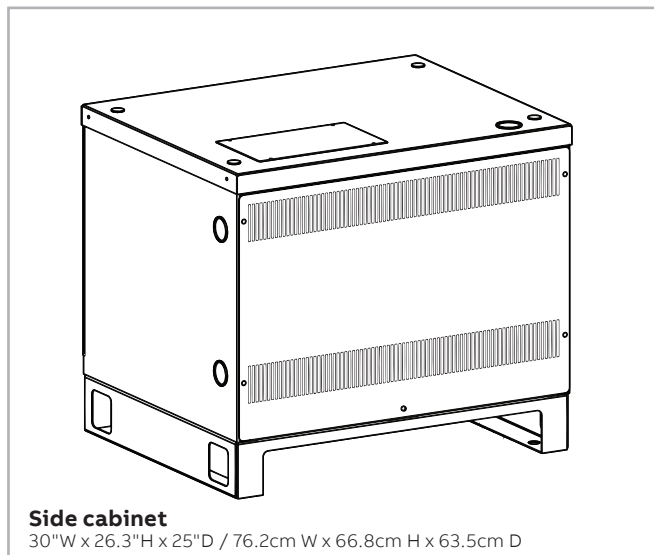
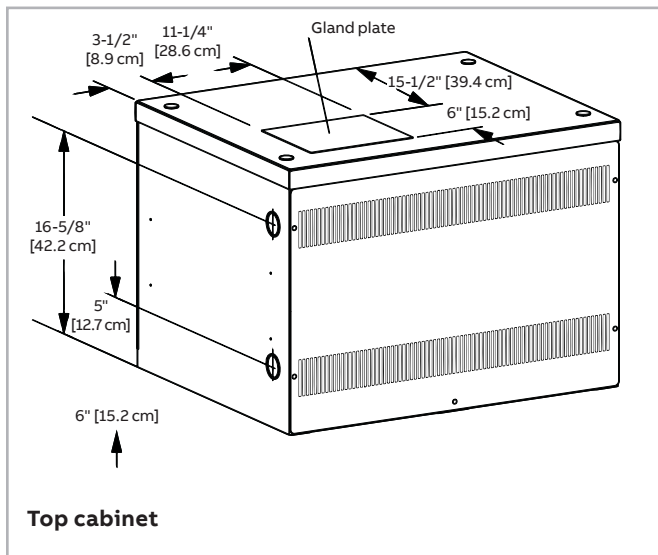
EL3FTC Series 60, 90 and 120 minute run time

Partial model number	Power rating (kW)			Voltage in-out VAC	Electronic cabinet dimensions (cm) <sup>1</sup>				Batteries		Battery cabinet dimensions (cm) <sup>1</sup>				Total system weight (kg)	Total no. of cabinets	347V XFM cabinet
	60 min.	90 min.	120 min.		W (cm)	H (cm)	D (cm)	Weight (kg)	No. of batteries	Weight (kg)	W (cm)	H (cm)	D (cm)	Weight (kg)			
1	4.8	4.44	4.08	120/208 or 277/480	76	119	64	243	12	390	76	119	64	95	728	2	
				347/600				329									
2	6.0	5.55	5.10	120/208 or 277/480	76	119	64	243	15	488	76	119	64	95	826	2	
				347/600				329									
3	8.0	7.40	6.80	120/208 or 277/480	76	119	64	243	20	650	76	119	64	105	998	2	
				347/600				329									
4	10.0	9.25	8.50	120/208 or 277/480	76	119	64	290	24	781	76	119	64	105	1176	2	
				347/600				386									
5	12.5	11.6	10.6	120/208 or 277/480	76	119	64	290	30	976	152	119	64	191	1456	3	
				347/600				396									
6	16.7	15.4	14.2	120/208 or 277/480	76	119	64	290	40	1301	152	119	64	210	1801	3	
				347/600				396									
7	24.0	22.2	20.4	120/208 or 277/480	112	183	79	567	60	1951	122	183	79	318	2836	2	
				347/600				702									
8	33.0	30.5	28.1	120/208 or 277/480	112	183	79	567	80	2602	244	183	79	590	3758	3	
				347/600				719									
9	40.0	37.0	34.0	120/208 or 277/480	112	183	79	662	100	3252	244	183	79	590	4504	3	
				347/600				829									
10	50.0	46.3	42.5	120/208 or 277/480	112	183	79	662	120	3903	244	183	79	635	5200	3	
				347/600				829									

<sup>1</sup>The cabinet dimensions above include the side cabinet

### Dimensions

Dimensions are approximate and subject to change.



## EL3FTC Three Phase Series

### System specifications

#### System specifications

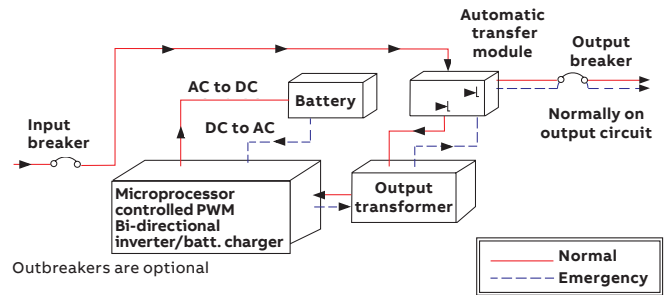
General	
<b>Design</b>	Standby PWM inverter type utilizing IGBT technology with 2ms transfer time
<b>Control</b>	Microprocessor controlled, 2 x 20-character display with touch pad controls & functions
<b>Metering</b>	Input and output voltage, battery voltage, battery and output current, output VA, temperature, inverter wattage
<b>Communications</b>	RS-232 port (DB9)

Electrical input	
<b>Voltage</b>	120/208, 277/480 or 347/600VAC, 3 phase 4-wire +10% - 15%. Contact factory for all other voltages
<b>Input power walk-in</b>	Limiting inrush current to less than 125%, 10 times for 1 line cycle
<b>Input frequency</b>	60Hz, +/-3%, 50Hz available upon request
<b>Protection</b>	Input circuit breaker
<b>Harmonic distortion</b>	<10%
<b>Power factor</b>	0.5 lag/lead

Electrical output	
<b>Voltage</b>	120/208, 277/480 or 347/600VAC, 3-phase 4 wire Contact factory for all other voltage
<b>Static voltage</b>	Load current change +/-4%, battery discharge +/-4%
<b>Dynamic voltage</b>	+/-3% for +/-25% load step change +/-6% load step change, recovery within 3 cycles
<b>Harmonic distortion</b>	<3% THD for linear load
<b>Output frequency</b>	60Hz +/- 0.05Hz during emergency mode
<b>Load power factor</b>	0.5 lag to 0.5 lead
<b>Overload capability</b>	to 115% continuous rating - 150% for 2.5 seconds, 250% for 3 line cycles.
<b>Protection</b>	Optional distribution circuit breaker
<b>Crest factor</b>	2.8

Environmental conditions	
<b>Storage/transport</b>	<ul style="list-style-type: none"> <li>-4°F to 158°F (-20°C to 70°C) without batteries max. 3 months at 104° F (40° C)</li> <li>-0°F to 104°F (-18°C to 40°C) with batteries</li> </ul>
<b>Operating temperature</b>	System operates safely from 32°F to 104°F (0°C to 40°C) but optimum operation is between 68° F and 86°F (20°C to 30°C). Battery performance can be affected by temperature
<b>Altitude</b>	<10,000 feet (above sea level) without de-rating
<b>Relative humidity</b>	0 to 95% non-condensing
<b>Audible noise</b>	45 dBA at 1m from surface in emergency mode

#### Single line diagram - Normally on output circuit



## EL3FTC Three Phase Series

### System specifications and ordering information

#### Cabinets

Modular design, freestanding NEMA type 1 steel cabinets powder coated for corrosion and scratch resistance. Front access design through hinged lockable doors requires only 39" front clearance and 12" top clearance. Cabinets are stackable up to 16.7kVA, if required to further reduce the footprint. Top and left side conduit entry with knockouts up to 16.7kVA. Left side only for 24kVA and up.

#### Inverter

Using IGBT/PWM technology the inverter converts the DC voltage supplied by the batteries to AC voltage of a precise stabilized amplitude and frequency, suitable for most sophisticated electrical equipment. True sinusoidal output waveform with very low distortion (less than 3% for linear loads). Overload capability of up to 150% for 12 line cycles.

#### Charger

Fully automatic, temperature compensated, microprocessor controlled charger recharges fully discharged batteries in maximum 24 hours at nominal AC input voltage. AC input current limiting and over-voltage protection included.

#### Battery

System is provided standard with 10 year, maintenance-free, sealed valve regulated, front terminals lead-calcium batteries. 20 year sealed lead-calcium battery also available. 30 min. standard discharge time at full load under normal operating temperature. Low voltage disconnect protection included. No special ventilation required.

#### Self-diagnostic

Automatic self-tests consist of a 5 minute monthly and full run time annual function. The front-mounted control panel includes 5 LED

indicators, a 2 line 20 character LCD display, a keypad to control and monitor the internal operation of the system. This allows the operator to easily “watch” system functions as they occur and check on virtually any aspect of the system’s operation. Standard RS232 diagnostic interface.

#### Alarms

High/low battery charger voltage, high/low AC input voltage, near low battery, low battery, load reduction fault, output overload, high ambient temperature, inverter fault, output fault, optional output circuit breaker trip.

#### Optional features

Output circuit breakers, output trip alarms, 20 year sealed batteries, 12 hours fast recharge, internal/external maintenance bypass switch (BBM), remote summary alarm panel, summary alarm dry form C contact, inverter on dry contacts, normally-off output, bypass relays, seismic mounting, circuit breaker locks, battery temperature monitor, drip top, output transfer delay, time delay, zone monitoring, serial to ethernet, BACnet MS/TP, remote meter panel, MODBUS serial, serial to ethernet adapter.

**Factory start-up** Includes one additional year of warranty. See warranty conditions.

**Warranty** (full limited warranty conditions available upon request)

Limited manufacturer warranty is one year, parts and labor, for system electronics or two year with factory start-up program. Battery warranty is one year full plus 9 years pro-rata for a total of 10 years, under normal operating conditions. System must be put in service within 6 months from ship date in order to validate warranty.

#### How to order

Input/output voltage <sup>1</sup>	Battery type	KVA/W rating	System type	Run time	Output breaker config.	Output breaker voltage	Output breaker amp. <sup>2</sup>
1= 120/208-120/208	SC= Standard	4800= 4.8	EL3FTC	R30= 30 minutes	B= Normally-on N= Normally-off	A= 120, 1 pole	10= 10
2= 277/480-277/480	G= Long-life	6000= 6.0		R60= 60 minutes		B= 208, 2 pole	16= 16
3= 120/208-277/480		8000= 8.0		R90= 90 minutes		D= 277, 1 pole	20= 20
4= 277/480-120/208		10000= 10		R120= 120 minutes		E= 120/208, 3 pole	25= 25
5= 347/600-347/600		12500= 12.5				F= 277/480, 3 pole	32= 32
6= 120/208-347/600		16700= 16.7				G= 480, 2 pole	40= 40
7= 277/480-347/600		24000= 24.0				H= 347, 1 pole	50= 50
8= 347/600-120/208		33000= 33.0				I= 347/600, 3 pole	63= 63
9= 347/600-277/480		40000= 40.0					
		50000= 50.0					

<sup>1</sup>Special voltages may change the size, weight or number of cabinets

<sup>2</sup>Higher amp ratings available (contact factory)

Output breaker qty.	Options	Monitoring <sup>4</sup>	Warranty (1 yr. std.)	Accessories
01-42= Choose the number of output breakers between 01 and 42 <sup>3</sup>	A= Remote summary alarm panel (requires S option) BCF= Battery cabinet fans BTM= Battery temperature monitor BL= Breaker locks C= Status monitoring contacts DT= Drip top F= Fast charge I= Inverter on dry form C contact L= Load control interface M(BBM)= Internal maintenance bypass O= Output transfer delay P= Remote status panel (requires C option) S= Summary fault form C contacts SEA= Serial to ethernet adapter T= Output trip alarm (supervised) V= Time delay 15 minutes Z= Seismic bracing/mounting ZM= Zone monitoring	BAC= Bacnet communication (MSTP) MOD= Modbus RTU R= Remote meter panel	2YW= Startup and same day training 2YT= Startup, same day training and full run test <sup>5</sup> 5YP= 5 year preventative maintenance plan (startup included) 5YW= 5 year extended electronics warranty TR= Training if required on day other than startup	Blank= No accessories EMBP= External maintenance bypass switch <sup>6</sup> SPARES= Spare fuses and circuit boards SPAREF= Spare fuse kit

<sup>3</sup>Maximum output breakers quantity available: 4.8k to 16.7k systems 12 unsupervised (1 pole) or 8 supervised (1 pole). With the addition of a top enclosure, an additional 30 unsupervised (1 pole) or 20 supervised (1 pole). 24k to 50k systems 36 unsupervised (1 pole), or 30 supervised (1 pole). Combinations of 1, 2 and/ or 3 pole breakers available (contact factory)

<sup>4</sup>May only choose one monitoring option

<sup>5</sup>Load must be connected, additional day on-site required

<sup>6</sup>Cannot be purchased with internal output breaker option

**Example: 15C4800EL3FTCR60BA1005SBAC**