

LPEX50-P Series – Extruded Aluminum LED Exit Sign

Combined with Power Pack

IMPORTANT SAFEGUARDS

When using electrical equipment, basic safety precautions should always be followed including the following:

READ AND FOLLOW ALL SAFETY INSTRUCTIONS

1. Do not use outdoors.
2. Do not let power supply cords touch hot surfaces.
3. Do not mount near gas or electric heaters.
4. Use caution when handling batteries. Avoid possible shorting.
5. Equipment should be mounted in locations and at heights where it will not readily be subjected to tampering by unauthorized personnel.
6. The use of accessory equipment not recommended by the manufacturer may cause an unsafe condition.
7. Do not use this equipment for other than intended use.
8. All servicing should be performed by qualified service personnel.

SAVE THESE INSTRUCTIONS

Installation Instructions

1. Turn off AC power.
2. Route AC supply wires into electrical box and leave 15 cm (6") of wire length.
3. Remove power pack cover. Remove face plate from frame by sliding the face plate upwards and pivoting the bottom outwards.
4. Remove the appropriate chevron(s) on the exit sign by supporting the exit face on either side of the chevron and carefully knock out with a screwdriver from the rear (see fig. 2).

Wall Mount

- a. Knock out the proper hole pattern in the back plate to mount to the standard junction box (including the large wire hole); place a support on either side of the hole to be removed and knock out with a screwdriver.
- b. Feed AC supply leads through the center hole.
- c. Mount the exit sign securely to the junction box using the junction box screws (see fig. 3).

Canopy - Ceiling or End mount

- a. Determine the desired mounting location of sign.
- b. Remove the proper knockouts in the frame or power pack from the outside with a hammer and screwdriver.

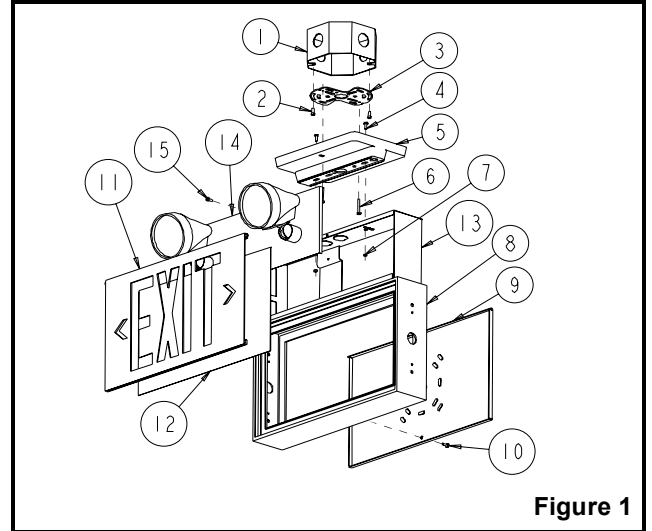


Figure 1

Part List

- | | |
|--------------------------------------|----------------------------|
| 1. Junction box | 8. Frame |
| 2. Junction box screw (not provided) | 9. Backplate |
| 3. Spider plate | 10. Backplate screw |
| 4. Screw #8-32 x 3/8" (2) | 11. Face plate |
| 5. Canopy | 12. Diffuser |
| 6. Screw #8-32 x 1" (2) | 13. Power Pack |
| 7. Keps nuts #8-32 (2) | 14. Power Pack cover |
| | 15. Power Pack cover screw |

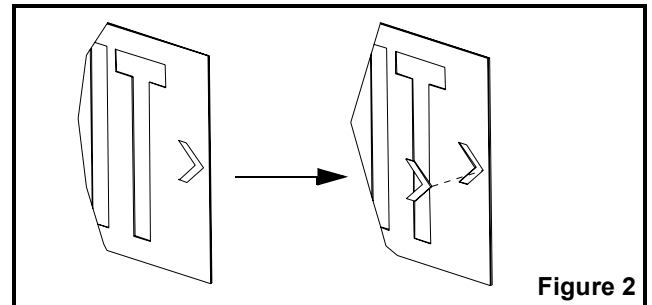


Figure 2

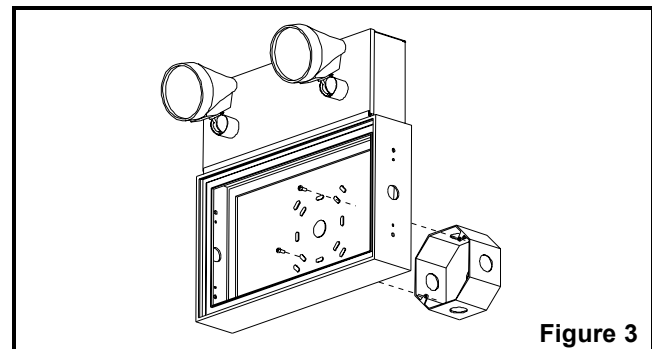


Figure 3

