

# Pictogram Steel Combination unit

## With built in LED Heads



## IMPORTANT SAFEGUARDS

When using electrical equipment, basic safety precautions should always be followed including the following:

## READ AND FOLLOW ALL SAFETY INSTRUCTIONS

1. All servicing should be performed by qualified service personnel.
2. Do not use outdoors.
3. Do not let power supply cords touch hot surfaces.
4. Do not mount near gas or electric heaters.
5. Use caution when handling batteries. Avoid possible shorting.
6. Equipment should be mounted in locations and at heights where it will not readily be subjected to tampering by unauthorized personnel.
7. The use of accessory equipment not recommended by the manufacturer may cause an unsafe condition.
8. Do not use this equipment for other than intended use.

## SAVE THESE INSTRUCTIONS

### Installation Instructions

1. Turn off AC power.
2. Route AC supply wires into electrical box and leave 15 cm (6") of wire length.
3. To open the unit, remove the screws from the end cap (see figure 1) and slide out the clear panel with border, the two pictogram panel(s) and the opal diffuser (note sequence of panels removed).

### Wall Mount (Figure 2)

- a. Knock out the proper hole pattern in the back plate to mount to the standard junction box (including the large wire hole); place a support on either side of the hole to be removed and knock out with a screwdriver.
- b. Feed AC supply leads through the center hole.
- c. Mount the exit sign securely to the junction box using the junction box screws (see figure 2).
- d. For special power pack mounting only. Knock out the 3 holes in the back of the power pack. The large hole located beside the charger is for the AC supply leads. The two smaller holes located on top of the battery are to be used to securely mount the unit to the wall.

### Canopy - Ceiling or End mount (Figure 3)

- a. Determine the desired mounting location of sign.
- b. Remove the proper knockouts in the housing from the outside with a hammer and screwdriver.
- c. Route the AC wires from the exit sign through the large knockout. For ceiling mount, make sure backplate is mounted so that the pictogram panel face will be in the desired direction.
- d. Fasten the spider plate to the junction box using the junction box screws. Align the two threaded holes in the spider plate to line up with the canopy holes for correct mounting position: end mount or ceiling mount.
- e. Fasten the canopy to the housing (see figure 3). Knock out the two holes near the wire way. Fasten the canopy-housing assembly to the spider plate using the provided 1 1/2" screws.

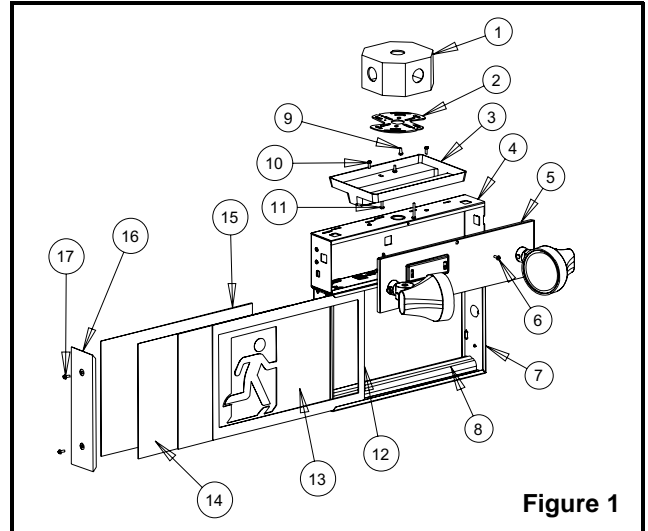


Figure 1

### Parts List

- |                                       |                               |
|---------------------------------------|-------------------------------|
| 1. Junction box (not provided)        | 10. Screws #8-32 x 3/8" (2)   |
| 2. Spider plate                       | 11. Screws #8-32 x 1 1/2" (2) |
| 3. Canopy                             | 12. Clear panel with border   |
| 4. Power Pack                         | 13. Pictogram panels (2)      |
| 5. Power Pack cover                   | 14. Opal diffuser             |
| 6. Power Pack cover screw             | 15. Back Plate                |
| 7. Housing                            | 16. End Cap                   |
| 8. LED strip                          | 17. Finishing screws (2)      |
| 9. Junction box screws (not provided) |                               |

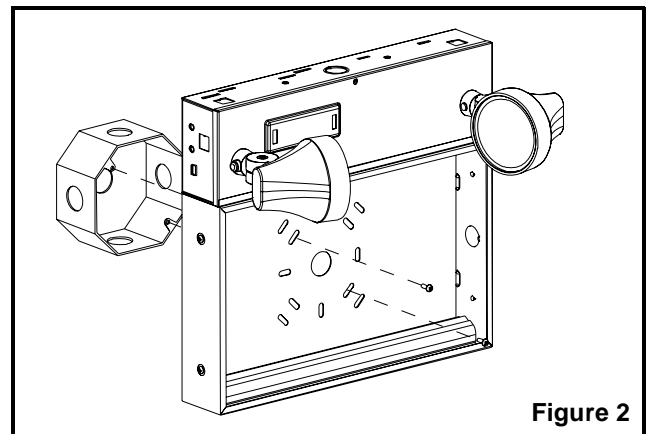


Figure 2

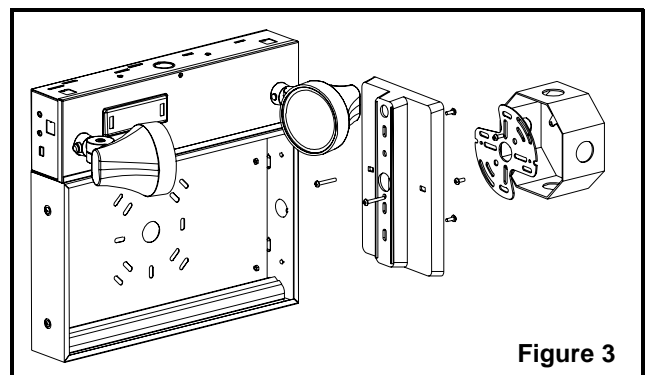


Figure 3

