

## C8SR50-P Series

Extruded aluminum combination unit - 6/12V



### Features

- Rugged extruded aluminum housing with a maximum depth of 2-1/2"
- Extruded aluminum faceplate
- White finish standard
- Standard field-selectable knockout chevrons
- Long life, energy-efficient LED light source, mounted inside the exit housing, not on the faceplate.
- **ALINGAP** technology LED
- NEXUS® compatible (for more information on NEXUS®, please consult your sales representative)
- Completely self-contained unit with rechargeable sealed lead- acid battery
- Lamp heads require no tools to adjust or aim
- Provides a minimum of 30 minutes of illumination (lamp heads and exit sign) in emergency mode
- CSA certified, meets or exceeds CSA 22.2 No. 141. requirements
- **Warranty details at: [www.emergi-lite.ca/](http://www.emergi-lite.ca/)**



nexus®

### Typical specifications

Supply and install the **Emergi-Lite® C8SR50-P** LED "SORTIE" exit sign with power pack combination series. The exit housing and the faceplate(s) shall be constructed of rugged extruded aluminum. The exit sign shall have a maximum depth of 2-1/2". The faceplate(s) shall come standard with knockout chevrons.

The light source shall be light emitting diodes (LED). Red LED technology shall be **ALINGAP**. The LED lamps shall provide illumination in normal and emergency operation and shall be mounted inside the exit housing, not on the face. An LED-sensitive diffuser shall be mounted behind the legend to provide the 6" high by 3/4" stroke letters with even illumination. The power pack shall be a completely self-contained emergency unit with its own charger and rechargeable battery. The housing shall be made of steel. The unit shall be designed to furnish exit illumination from the normal AC source. When a power failure occurs, the mounted heads along with the exit sign are illuminated in emergency mode for a minimum of 30 minutes. The power pack is furnished with a test switch and high charge pilot light and is available as either 18, 36 or 72W. The heads shall require no tools to adjust and aim. The heads will be constructed of polycarbonate and include 6V, 4W LED lamps or as otherwise specified.

The exit sign shall be CSA-C860 approved and meets CSA 22.2 No.141.

The equipment shall be **Emergi-Lite®** model: \_\_\_\_\_.

### Wire guards

Ordering code	Description
460.0081-E	Wall mount
460.0060-E	Ceiling mount

### Power consumption

Model	AC specs	Wattage capacity				
		30 min	1H00	1H30	2H00	4H00
Sortie sign module	Less than 2W	-	-	-	-	-
C8SR5= 6V-18W	120/347VAC	18	10	7	6	3
C8SR5= 6V-36W		36	21	15	12	6
C8SR5= 12V-36W		72	42	30	24	12
C8SR5= 12V-72W		72	42	30	24	12

### Housing colour



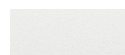
Black



Brushed aluminum



Textured aluminum



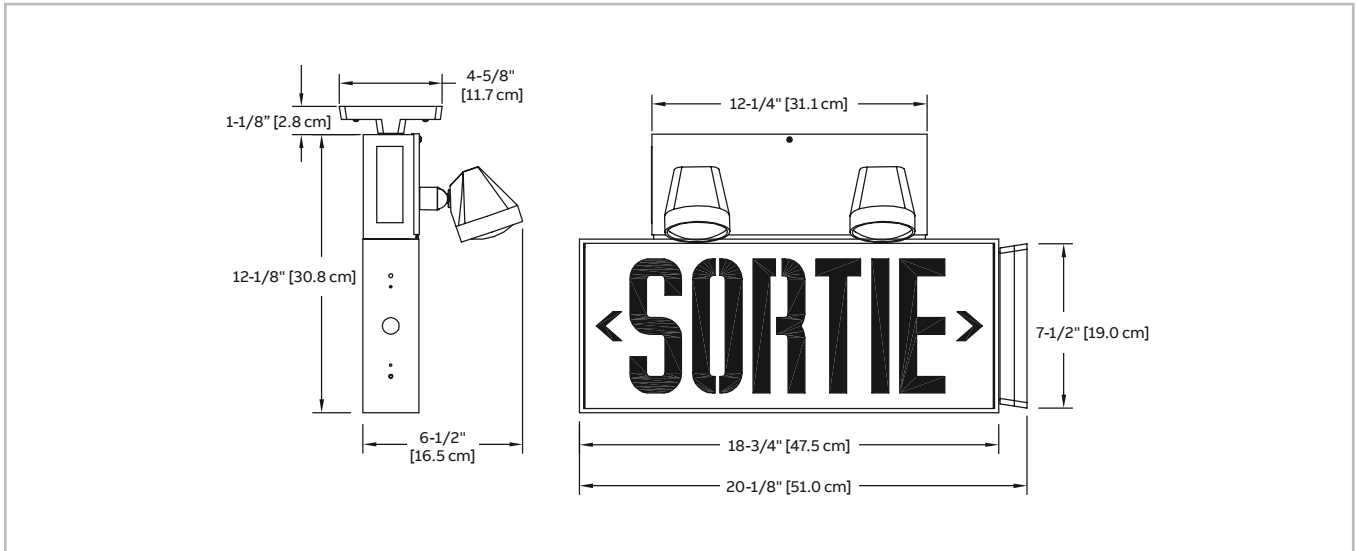
Factory white

## C8SR50-P Series

Extruded aluminum combination unit - 6/12V

### Dimensions

Dimensions are approximate and subject to change.



### Ordering information

Series	Housing colour	Voltage	Powerpack
C8SR52= single face	<b>B</b> = black	<b>Blank</b> = 120/347VAC	<b>-P1</b> = 6V-18W
C8SR53= double face	<b>BA</b> = brushed aluminum <sup>1</sup>	<b>-2</b> = 277VAC	<b>-P3</b> = 6V-36W
	<b>TA</b> = textured aluminum <sup>1</sup>		<b>-P3A</b> = 12V-36W
	<b>W</b> = factory white		<b>-P7A</b> = 12V-72W
	<sup>1</sup> Black heads		
Options	Number of heads	Lamp style and wattage	
<b>Blank</b> = no options	<b>/0</b> = no heads	<b>LA</b> = MR16 LED, 6V-4W	
<b>D</b> = time delay (15 min.)	<b>/1</b> = one head	<b>LB</b> = MR16 LED, 6V-5W	
<b>NEXRF</b> = wireless NEXUS® system interface <sup>1</sup>	<b>/2</b> = two heads	<b>LG</b> = MR16 LED, 12V-4W	
<b>U</b> = auto-diagnostics <sup>2</sup>		<b>LI</b> = MR16 LED, 12V-5W	
<b>UN</b> = auto-diagnostics, non-audible <sup>2</sup>		<b>LJ</b> = MR16 LED, 12V-6W	

Example: C8SR52W-P1D/O

<sup>1</sup>Not all options available with NEXUS® system.

Please consult your sales representative.

<sup>2</sup>Not available for 6V-72W