

## LPEXHZ Series

Hazardous location LED exit sign

Class I Division 2, Class II Div. 1 & 2, and Class III - compliant



### Features

- Certified Class I Zone 2, Groups IIA, IIB and IIC
- Includes the addition of Class II Div. 1 and 2 Groups E, F, G and Class III
- Certified Class I Division 2, Groups A, B, C and D as per CSA C22.2 No.137-M1981
- Temperature code: T6 (maximum 85°C as per Canadian Electrical Code, Part I and CSA C22.2 No.137-M1981)
- CSA certified, meets or exceeds CSA 22.2 No. 141 requirements
- Input voltages: 120 to 347VAC universal AC input; 6 to 48VDC universal DC input
- High impact thermoplastic frame, with built-in gasket to prevent water infiltration
- Suited for areas with the risk of presence of flammable gases, vapors or liquids able to create an explosive atmosphere
- Sealed faceplate of heavy-duty, vandal-resistant polycarbonate
- Tamper-resistant, hermetically sealed magnetic test switch
- Auto-diagnostic circuitry is standard on self-powered models
- Sealed, maintenance-free, nickel-cadmium batteries
- Batteries recharge as per CSA requirements and provide 90 minutes of emergency operation
- Long-life, energy-efficient **ALINGAP** red LED light source
- Energy efficient – consumes less than 3W in AC or DC mode
- Comes standard with industrial-grade, die-cast aluminum electrical box
- Suitable for cold weather:
  - 20°C (-4°F) (self-powered model, “CW” option) and
  - 40°C (-40°F) (AC only and AC-DC models)
- **Warranty details at: [www.emergi-lite.ca](http://www.emergi-lite.ca)**

nexus® 



### Typical specifications

Supply and install **Emergi-Lite® LPEXHZ Series** LED exit signs. The equipment shall operate with universal two-wire AC input voltage from 120VAC to 347VAC at less than 3W and universal two-wire DC input voltage from 6VDC to 48VDC at less than 2W for single and double face signs. Designed specifically for hostile environments, the equipment frame shall be of industrial grade high impact thermoplastic with a gasket around lenses and canopy. The faceplate(s) shall be constructed of heavy-duty vandal-resistant polycarbonate and feature an even illuminated legend. The light source shall be light emitting diodes (LED). Red LED technology shall be **ALINGAP**. An LED-sensitive diffuser shall be mounted behind the legend to provide the 6" high by 3/4" stroke letters with even illumination. The equipment shall be certified for Hazardous Locations: Class I Division 2 Groups A, B, C and D with a temperature code T6 Maximum 85°C (185°F). The equipment shall be designed specifically for high abuse areas, wet location, and cold weather -20°C (-4°F) applications. The self-powered model shall stay illuminated during emergency operation for at least 90 minutes upon AC failure and shall include a magnetic test switch and self-testing/self-diagnostic functions. The equipment shall automatically self test for 5 minutes every 30 days, 30 minutes every 60 days and 90 minutes annually. A “Service required” lamp shall be located near the test switch and flash when a fault is detected. A two-LED diagnostic display shall be located inside the equipment and shall identify the eventual source of failure (battery, charger circuitry, or LED lamps).

The exit sign shall be CSA-C860 approved and meets CSA 22.2 No. 141.

The equipment shall be **Emergi-Lite®** model: \_\_\_\_\_.

### Wire guards

Ordering code	Description
460.0080-E	Wall mount

### Class I Div 2 family



EH Series

EHC Series

EXHZ Series

HZM Series

EF41 Series

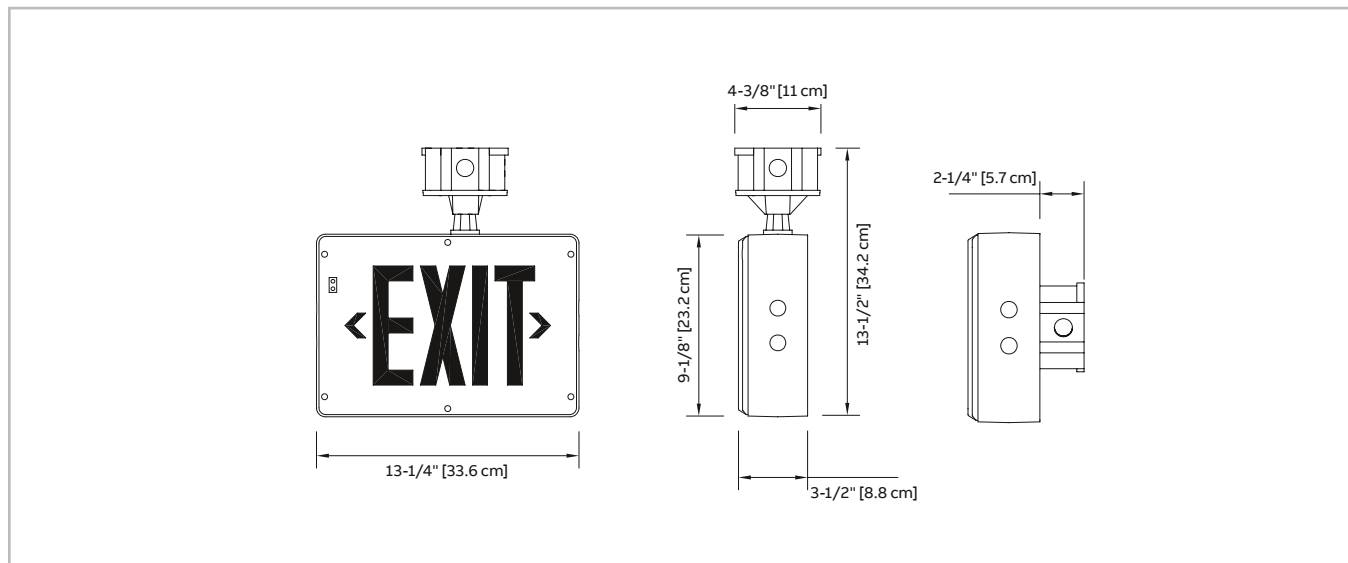
## LPEXHZ Series

Hazardous location LED exit sign

Class I Division 2, Class II Div. 1 & 2, and Class III - compliant

### Dimensions

Dimensions are approximate and subject to change.



### Power consumption and unit rating

Model		AC specs		DC specs
AC/DC red	120 to 347VAC	Less than 3W	6 to 48VDC	Less than 2W
AC/DC green	120 to 347VAC	Less than 3W	6 to 48VDC	Less than 2W
Self-powered red	120 to 347VAC	Less than 3W	Nickel-cadmium battery	Min. 90 minutes
Self-powered green	120 to 347VAC	Less than 3W	Nickel-cadmium battery	Min. 90 minutes
120VAC/VDC 2 wires, red	120VAC	Less than 3W	120VDC	Less than 3W

Note: double face models have double the power consumption above.

### Ordering information

Series	Faces/mounting	Housing/faceplate colour	Voltage	Options
LPEXHZ	2= single face, ceiling or wall mount 3= double face, ceiling mount only	GG= grey/grey	EM120-2W= 120VAC, 120VDC, 2 wires (AC only) ID= 120-347VAC, self-powered c/w non-audible diagnostics U= universal 120-347VAC, 6-48VDC	Blank= red legend -CW= cold weather -20°C self-powered only -G= green legend NEXRF= wireless NEXUS® system interface <sup>1</sup>

Example: LPEXHZ2GGU

<sup>1</sup>NEXUS® option with self-powered models only