

Max-Gard interconnection systems

60 A standard service



Device ratings and polarizations

Pole	Wire	Conductor placement	Voltage 60 Hz	Cat. no. ▼	Standard bushing I.D.† (in.)	Cat. no. ▼	Standard bushing I.D.† (in.)
Product type				Male plug††		Female connector	
2	3		277	DS6104MP000	1 3/16	DF6104FP000	1 3/16
2	3		125	DS6107MP000	1 3/16	DF6107FP000	1 3/16
2	3		480	DS6204MP000	1 3/16	DF6204FP000	1 3/16
2	3		250	DS6207MP000	1 3/16	DF6207FP000	1 3/16
2	3		600	DS6214MP000	1 3/16	DF6214FP000	1 3/16
2	3		208	DS6216MP000	1 3/16	DF6216FP000	1 3/16
3	4		277/480	DS6304MP000	1 5/16	DF6304FP000	1 5/16
3	4		125/250	DS6307MP000	1 5/16	DF6307FP000	1 5/16
3	4		120/208	DS6316MP000	1 5/16	DF6316FP000	1 5/16
3	4		3Ø 480	DS6404MP000	1 5/16	DF6404FP000	1 5/16
3	4		3Ø 250	DS6407MP000	1 5/16	DF6407FP000	1 5/16
3	4		3Ø 600	DS6414MP000	1 5/16	DF6414FP000	1 5/16
3	4		3Ø 208	DS6416MP000	1 5/16	DF6416FP000	1 5/16
3	4		3Ø 440	DS6421MP000	1 5/16	DF6421FP000	1 5/16
4	5		3ØY 277/480	DS6504MP000	1 1/2	DF6504FP000	1 1/2
4	5		3ØY 347/600	DS6514MP000	1 1/2	DF6514FP000	1 1/2
4	5		3ØY 110/208	DS6516MP000	1 1/2	DF6516FP000	1 1/2
4	5		3ØY 250/440	DS6521MP000	1 1/2	DF6521FP000	1 1/2

Maximum 600 V AC or 250 V DC.

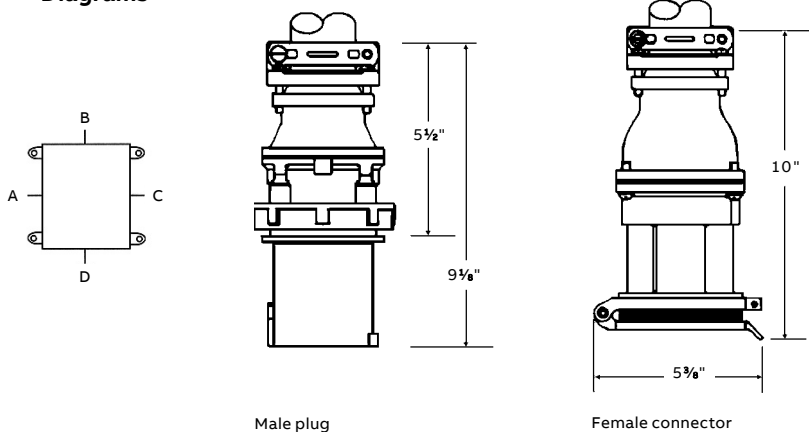
** If receptacle is desired with a straight adapter instead of standard angle adapter, substitute "S" for the "A" in the catalog number of the receptacle with angle adapter or adapter and box.

† Standard cable bushings shown; see page 32 for other sizes available at no extra cost if specified on order.

†† Always furnished with screw collar. We recommend cup cap with male plug; order catalog number DS6CC

▼ Control contacts for plug/receptacles: Use "K" where noted. Ex: DS6104MP00K. For adapters, junction boxes and accessories, see pages 32–35.

Diagrams



Male plug

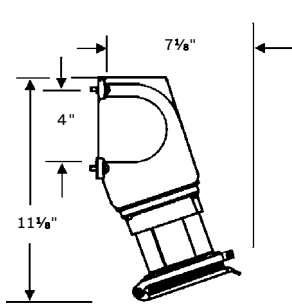
Female connector



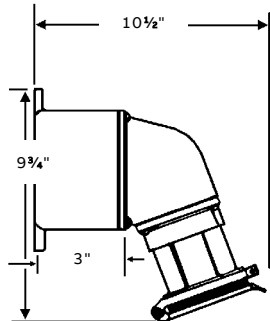
Pole	Wire	Cat. no. ▼ Female receptacle with angle enclosure	Cat. no. ▼ Female receptacle with angle adapter** and junction box	Cat. no. ▼ Female receptacle with angle adapter**	Cat. no. ▼ Female receptacle
2	3	DF6104FR0E0	DF6104FRAB0	DF6104FRA00	DF6104FR000
2	3	DF6107FR0E0	DF6107FRAB0	DF6107FRA00	DF6107FR000
2	3	DF6204FR0E0	DF6204FRAB0	DF6204FRA00	DF6204FR000
2	3	DF6207FR0E0	DF6207FRAB0	DF6207FRA00	DF6207FR000
2	3	DF6214FR0E0	DF6214FRAB0	DF6214FRA00	DF6214FR000
2	3	DF6216FR0E0	DF6216FRAB0	DF6216FRA00	DF6216FR000
3	4	DF6304FR0E0	DF6304FRAB0	DF6304FRA00	DF6304FR000
3	4	DF6307FR0E0	DF6307FRAB0	DF6307FRA00	DF6307FR000
3	4	DF6316FR0E0	DF6316FRAB0	DF6316FRA00	DF6316FR000
3	4	DF6404FR0E0	DF6404FRAB0	DF6404FRA00	DF6404FR000
3	4	DF6407FR0E0	DF6407FRAB0	DF6407FRA00	DF6407FR000
3	4	DF6414FR0E0	DF6414FRAB0	DF6414FRA00	DF6414FR000
3	4	DF6416FR0E0	DF6416FRAB0	DF6416FRA00	DF6416FR000
3	4	DF6421FR0E0	DF6421FRAB0	DF6421FRA00	DF6421FR000
4	5	DF6504FR0E0	DF6504FRAB0	DF6504FRA00	DF6504FR000
4	5	DF6514FR0E0	DF6514FRAB0	DF6514FRA00	DF6514FR000
4	5	DF6516FR0E0	DF6516FRAB0	DF6516FRA00	DF6516FR000
4	5	DF6521FR0E0	DF6521FRAB0	DF6521FRA00	DF6521FR000

Maximum lug wire 4 AWG 7-strand or flexible, cable entrance 0.302" diameter.
 Receptacles furnished with flap cap also have screw thread to accept male collar on plug.
 Catalog numbers shown are for flap cap receptacles; change "DF" to "DS" for ordering screw cap.
 Boldface figures are for voltage assignment. For different ratings, see page 38.
 Outlet furnished at location "B" unless otherwise specified. 1½" NPT.
 For full polarization, see page 38.

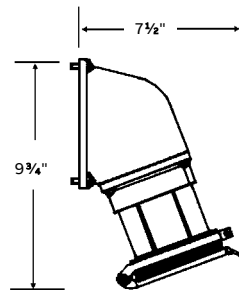
Diagrams



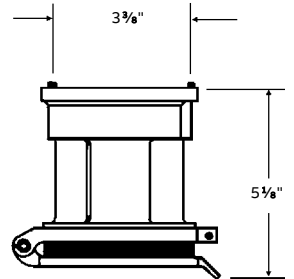
Female receptacle
with angle enclosure



Female receptacle
with angle adapter
and junction box



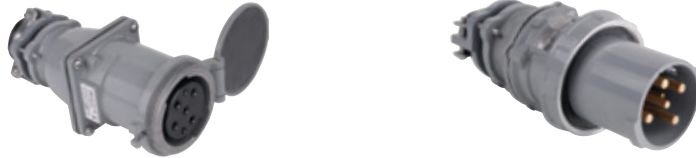
Female receptacle
with angle adapter



Female receptacle

Max-Gard interconnection systems

60 A reverse service



Device ratings and polarizations

Pole	Wire	Conductor placement	Voltage 60 Hz	Cat. no. ▼	Standard bushing I.D. [†] (in.)	Cat. no. ▼	Standard bushing I.D. [†] (in.)
Product type				Female connector		Male plug ^{††}	
2	3		277	DF6104FP000	1 3/16	DS6104MP000	1 3/16
2	3		125	DF6107FP000	1 3/16	DS6107MP000	1 3/16
2	3		480	DF6204FP000	1 3/16	DS6204MP000	1 3/16
2	3		250	DF6207FP000	1 3/16	DS6207MP000	1 3/16
2	3		600	DF6214FP000	1 3/16	DS6214MP000	1 3/16
2	3		208	DF6216FP000	1 3/16	DS6216MP000	1 3/16
3	4		277/480	DF6304FP000	1 5/16	DS6304MP000	1 5/16
3	4		125/250	DF6307FP000	1 5/16	DS6307MP000	1 5/16
3	4		120/208	DF6316FP000	1 5/16	DS6316MP000	1 5/16
3	4		3Ø 480	DF6404FP000	1 5/16	DS6404MP000	1 5/16
3	4		3Ø 250	DF6407FP000	1 5/16	DS6407MP000	1 5/16
3	4		3Ø 600	DF6414FP000	1 5/16	DS6414MP000	1 5/16
3	4		3Ø 208	DF6416FP000	1 5/16	DS6416MP000	1 5/16
3	4		3Ø 440	DF6421FP000	1 5/16	DS6421MP000	1 5/16
4	5		3ØY 277/480	DF6504FP000	1 1/2	DS6504MP000	1 1/2
4	5		3ØY 347/600	DF6514FP000	1 1/2	DS6514MP000	1 1/2
4	5		3ØY 120/208	DF6516FP000	1 1/2	DS6516MP000	1 1/2
4	5		3ØY 250/440	DF6521FP000	1 1/2	DS6521MP000	1 1/2

Maximum 600 V AC or 250 V DC.

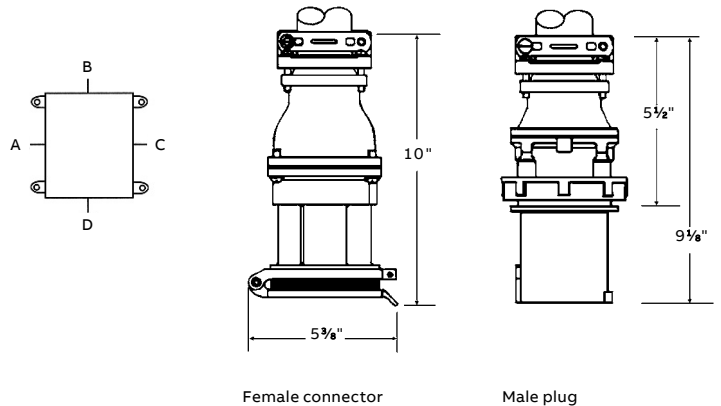
** If receptacle is desired with a straight adapter instead of standard angle adapter, substitute "S" for the "A" in the catalog number of the receptacle with angle adapter or adapter and box.

† Standard cable bushings shown; see page 32 for other sizes available at no extra cost if specified on order.

†† Always furnished with screw collar. We recommend cup cap with male plug; order catalog number DS6CC

▼ Control contacts for plug/receptacles: Use "K" where noted. Ex: DS3104MP00K. For adapters, junction boxes and accessories, see pages 32–35.

Diagrams

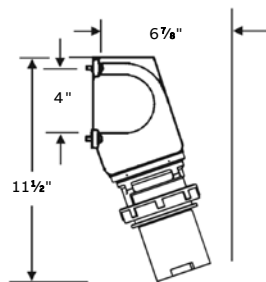




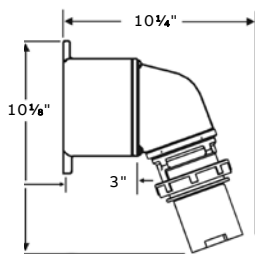
Pole	Wire	Cat. no. ▼ Male inlet with angle enclosure	Cat. no. ▼ Male inlet with angle adapter** and junction box	Cat. no. ▼ Male inlet with angle adapter**	Cat. no. ▼ Male inlet ^{††}
2	3	DS6104MR0E0	DS6104MRAB0	DS6104MRA00	DS6104MR000
2	3	DS6107MR0E0	DS6107MRAB0	DS6107MRA00	DS6107MR000
2	3	DS6204MR0E0	DS6204MRAB0	DS6204MRA00	DS6204MR000
2	3	DS6207MR0E0	DS6207MRAB0	DS6207MRA00	DS6207MR000
2	3	DS6214MR0E0	DS6214MRAB0	DS6214MRA00	DS6214MR000
2	3	DS6216MR0E0	DS6216MRAB0	DS6216MRA00	DS6216MR000
3	4	DS6304MR0E0	DS6304MRAB0	DS6304MRA00	DS6304MR000
3	4	DS6307MR0E0	DS6307MRAB0	DS6307MRA00	DS6307MR000
3	4	DS6316MR0E0	DS6316MRAB0	DS6316MRA00	DS6316MR000
3	4	DS6404MR0E0	DS6404MRAB0	DS6404MRA00	DS6404MR000
3	4	DS6407MR0E0	DS6407MRAB0	DS6407MRA00	DS6407MR000
3	4	DS6414MR0E0	DS6414MRAB0	DS6414MRA00	DS6414MR000
3	4	DS6416MR0E0	DS6416MRAB0	DS6416MRA00	DS6416MR000
3	4	DS6421MR0E0	DS6421MRAB0	DS6421MRA00	DS6421MR000
4	5	DS6504MR0E0	DS6504MRAB0	DS6504MRA00	DS6504MR000
4	5	DS6514MR0E0	DS6514MRAB0	DS6514MRA00	DS6514MR000
4	5	DS6516MR0E0	DS6516MRAB0	DS6516MRA00	DS6516MR000
4	5	DS6521MR0E0	DS6521MRAB0	DS6521MRA00	DS6521MR000

Maximum lug wire 4 AWG 7-strand or flexible, cable entrance 0.302" diameter.
 Receptacles furnished with flap cap also have screw thread to accept male collar on plug.
 Catalog numbers shown are for flap cap receptacles; change "DF" to "DS" for ordering screw cap.
 Boldface figures are for voltage assignment. For different ratings, see page 38.
 Outlet furnished at location "B" unless otherwise specified. 1½" NPT.
 For full polarization, see page 38.

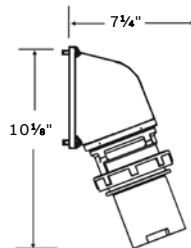
Diagrams



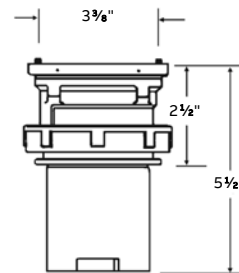
Male inlet with angle enclosure



Male inlet with angle adapter and junction box



Male inlet with angle adapter



Male inlet^{††}