

## Iberville AMC Series

Aluminum cable fittings for armoured and Teck 90 cables



Metallic cable glands suitable for jacketed and non-jacketed metal clad and Teck 90 cables designed for optimum integrity in general and industrial applications.

### Certifications / Standards:



### Features and benefits:

- Excellent pull-out strength
- Robust metallic construction
- Quick and easy installation without disassembly
- Provides grounding continuity of cable armor via proven spring methodology
- Splined gland and gripping features for ease of installation
- Locknut included

### Applications:

- Provides means for terminating jacketed and non-jacketed metal clad and Teck 90 cables to a bulkhead or enclosure in industrial applications
- Mining, oil and gas, chemical and industrial markets
- Construction and installation zones where metal clad and Teck 90 cables are specified

### Conforms to:

- CSA C22.2-18.3/-94.2 and UL514B/50E
  - Wet and Dry Location
- RoHS (Restriction of Hazardous Substances Directive) 2011/65/EU/ Incorporating 2015/863 amendment to Annex II

### Compatible with cable types:

- Teck 90
- Type MC (aluminum/steel)
  - Jacketed interlocking armor (MCI, MCI-A)
  - Jacketed corrugated metal clad (MCC)
- ACWU90 / ACGWU90
- AC90 / ACG90 II

### Material:

- Copper-free aluminum
- Chloroprene seal
- Copper-plated stainless steel spring
- Zinc or aluminum locknut

### Environmental ratings:

#### Ingress protection

- Type 4 (when used with jacketed cables only)

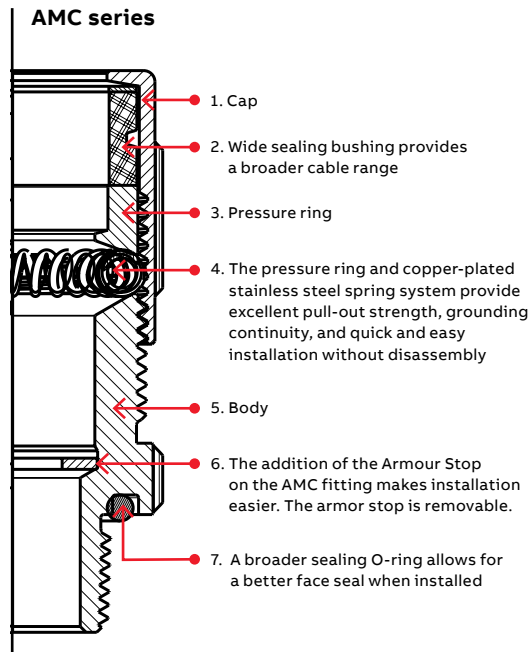
### Working temperature:

- Normal use: -25 to +90°C (-13 to +194°F)

### Temperature range:

°C	-65	-45	-25	-5	0	5	60	90	105	120	150	250
°F	-85	-49	-13	23	32	41	140	194	221	248	302	482

Static



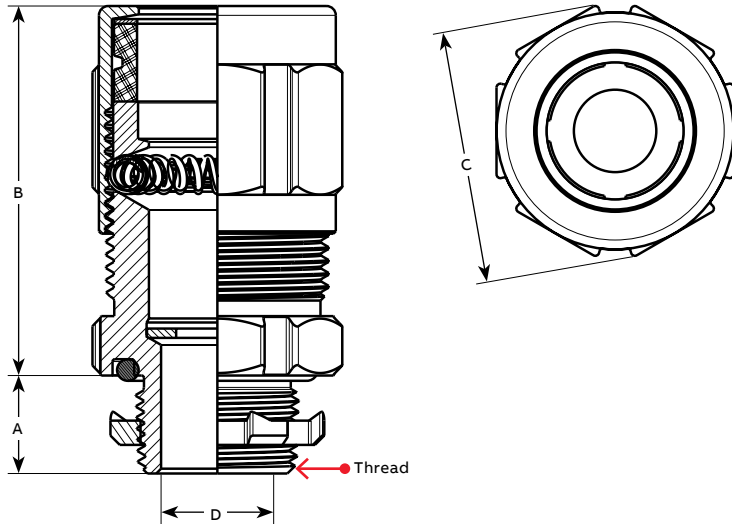
### AMC

10 SKUs

Aluminium construction  
Compression cable seal  
Cable clamping spring

# Iberville AMC Series

## Specification guide



### Product selection

Part no:	Thread (NPT)	Range over armour		Range over jacket		A	B	C	D	For installation	
		Min.	Max.	Min.	Max.					L	Approx. Torque
AMC-0501	½	<b>11.18</b>	<b>16.76</b>	<b>12.45</b>	<b>19.81</b>	<b>15.88</b>	<b>54.10</b>	<b>34.54</b>	<b>13.87</b>	<b>31.75</b>	<b>22.60</b>
		(0.440)	(0.660)	(0.490)	(0.780)	(0.625)	(2.130)	(1.360)	(0.546)	(1.250)	(200.0)
AMC-0751	¾	<b>14.73</b>	<b>21.84</b>	<b>16.51</b>	<b>25.40</b>	<b>16.00</b>	<b>60.45</b>	<b>41.28</b>	<b>18.39</b>	<b>31.75</b>	<b>22.50</b>
		(0.580)	(0.860)	(0.650)	(1.000)	(0.630)	(2.380)	(1.625)	(0.724)	(1.250)	(200.0)
AMC-1001	1	<b>19.30</b>	<b>28.45</b>	<b>21.59</b>	<b>33.02</b>	<b>19.94</b>	<b>62.23</b>	<b>52.58</b>	<b>24.26</b>	<b>31.75</b>	<b>22.50</b>
		(0.760)	(1.120)	(0.850)	(1.300)	(0.785)	(2.450)	(2.070)	(0.955)	(1.250)	(200.0)
AMC-1251	1¼	<b>26.67</b>	<b>34.93</b>	<b>28.45</b>	<b>38.10</b>	<b>19.05</b>	<b>73.41</b>	<b>61.60</b>	<b>30.48</b>	<b>44.45</b>	<b>22.60</b>
		(1.050)	(1.375)	(1.120)	(1.500)	(0.750)	(2.890)	(2.425)	(1.200)	(1.750)	(200.0)
AMC-1501	1½	<b>33.27</b>	<b>40.89</b>	<b>35.56</b>	<b>44.96</b>	<b>19.05</b>	<b>74.42</b>	<b>70.10</b>	<b>36.58</b>	<b>44.45</b>	<b>22.60</b>
		(1.310)	(1.610)	(1.400)	(1.770)	(0.750)	(2.930)	(2.760)	(1.440)	(1.750)	(200.0)
AMC-2001	2	<b>39.62</b>	<b>50.93</b>	<b>42.42</b>	<b>54.10</b>	<b>20.65</b>	<b>93.98</b>	<b>92.08</b>	<b>47.75</b>	<b>50.80</b>	<b>42.37</b>
		(1.560)	(2.005)	(1.670)	(2.130)	(0.813)	(3.700)	(3.625)	(1.880)	(2.000)	(375.0)
AMC-2501	2½	<b>48.64</b>	<b>62.74</b>	<b>50.29</b>	<b>65.79</b>	<b>32.51</b>	<b>118.62</b>	<b>108.20</b>	<b>55.88</b>	<b>63.5</b>	<b>62.14</b>
		(1.915)	(2.470)	(1.980)	(2.590)	(1.280)	(4.670)	(4.260)	(2.200)	(2.500)	(550.0)
AMC-3001	3	<b>59.44</b>	<b>76.71</b>	<b>62.99</b>	<b>82.30</b>	<b>34.04</b>	<b>129.67</b>	<b>124.97</b>	<b>69.95</b>	<b>63.5</b>	<b>107.34</b>
		(2.340)	(3.020)	(2.480)	(3.240)	(1.340)	(5.105)	(4.920)	(2.754)	(2.500)	(950.0)
AMC-3501	3½	<b>74.17</b>	<b>88.90</b>	<b>76.71</b>	<b>95.76</b>	<b>34.04</b>	<b>126.24</b>	<b>141.73</b>	<b>82.40</b>	<b>63.5</b>	<b>158.18</b>
		(2.920)	(3.500)	(3.020)	(3.770)	(1.340)	(4.970)	(5.580)	(3.244)	(2.500)	(1400.0)
AMC-4001	4	<b>88.52</b>	<b>102.11</b>	<b>91.31</b>	<b>108.71</b>	<b>34.04</b>	<b>126.49</b>	<b>154.94</b>	<b>95.10</b>	<b>63.5</b>	<b>158.18</b>
		(3.485)	(4.020)	(3.595)	(4.280)	(1.340)	(4.980)	(6.100)	(3.744)	(2.500)	(1400.0)

Note: Product must be installed in accordance with applicable national and local electrical codes.  
 Bold numbers are metric; numbers in parenthesis are in inches.

## Iberville AMC Series

### Installation Instructions



01 Select the appropriate cable gland to accommodate to enclosure and cable used. Determine the working length needed inside the enclosure then prepare the cable as shown. Expose the appropriate length of armor, referring to column L of the Specification Guide table on page C45. See dimensions 'L'.



02 Install the cable gland to the enclosure. This could be in a threaded hole or using a locknut. The locknut shall be hand-tightened and then further tightened 1/4 turn with appropriate tools.



03 **The armor stop may need to be removed prior to this step** if the conductor bundle does not pass through. Feed the cable through the cable gland and push until the cable armor hits the armor stop or body.



04 Tighten the gland nut to the specified torque in the table or until you obtain an appropriate seal. The sealing ring should seal evenly around the cable's outer jacket. Ensure the cable remains centered as much as possible to obtain an optimal seal.

## Iberville AMC Series

### Fitting Selection Guide

Cable Specs (Voltage, AWG, # Conductors)	Belden	Decacables	General Cable	Nexans	Northern Cables	Prysmian	Shawflex	Southwire
600V 18 AWG 2C	AMC-0501						AMC-0501	
600V 18 AWG 3C	AMC-0501						AMC-0501 AMC-0751	
600V 18 AWG 4C	AMC-0501						AMC-0501 AMC-0751	
600V 16 AWG 2C	AMC-0501	AMC-0501					AMC-0501	
600V 16 AWG 3C	AMC-0501	AMC-0501 AMC-0751					AMC-0501 AMC-0751	
600V 16 AWG 4C	AMC-0501 AMC-0751	AMC-0501 AMC-0751					AMC-0501 AMC-0751	
600V 14 AWG 2C	AMC-0501	AMC-0501 AMC-0751		AMC-0501 AMC-0751	AMC-0501	AMC-0501	AMC-0501 AMC-0751	AMC-0501
600V 14 AWG 3C	AMC-0501	AMC-0501 AMC-0751		AMC-0501 AMC-0751	AMC-0501	AMC-0501	AMC-0501 AMC-0751	AMC-0501 AMC-0751
600V 14 AWG 4C	AMC-0501 AMC-0751	AMC-0751		AMC-0751	AMC-0501 AMC-0751	AMC-0501 AMC-0751	AMC-0751	AMC-0501 AMC-0751
600V 12 AWG 2C	AMC-0501 AMC-0751	AMC-0501 AMC-0751		AMC-0501 AMC-0751	AMC-0501	AMC-0501	AMC-0501 AMC-0751	AMC-0501 AMC-0751
600V 12 AWG 3C	AMC-0501 AMC-0751	AMC-0501 AMC-0751	AMC-0501 AMC-0751	AMC-0751	AMC-0501 AMC-0751	AMC-0501 AMC-0751	AMC-0751	AMC-0501 AMC-0751
600V 12 AWG 4C	AMC-0751	AMC-0751		AMC-0751	AMC-0501 AMC-0751	AMC-0501 AMC-0751	AMC-0751	AMC-0751
600V 10 AWG 2C	AMC-0751	AMC-0501 AMC-0751		AMC-0751	AMC-0501 AMC-0751	AMC-0501 AMC-0751	AMC-0751	AMC-0501 AMC-0751
600V 10 AWG 3C	AMC-0751	AMC-0751	AMC-0751	AMC-0751	AMC-0751	AMC-0751	AMC-0751	AMC-0751
600V 10 AWG 4C	AMC-0751	AMC-0751		AMC-0751 AMC-1001	AMC-0751	AMC-0751	AMC-0751 AMC-1001	AMC-0751
600V 8 AWG 2C	AMC-0751 AMC-1001						AMC-0751 AMC-1001	
600V 8 AWG 3C	AMC-0751 AMC-1001		AMC-1001				AMC-1001	
600V 8 AWG 4C	AMC-1001						AMC-1001	

The fittings selection guide is based on nominal cable sizes provided by cable manufacturers and does not account for cable manufacturing tolerances.  
 Copyright© 2019 ABB / 19CP06-101

## Iberville AMC Series

### Fitting Selection Guide (continued)

Cable Specs (Voltage, AWG, # Conductors)			Belden	Decacables	General Cable	Nexans	Northern Cables	Prysmian	Shawflex	Southwire
1000V	14 AWG	2C			AMC-0501 AMC-0751	AMC-0751	AMC-0501 AMC-0751	AMC-0501 AMC-0751		AMC-0501 AMC-0751
1000V	14 AWG	3C	AMC-0751		AMC-0751	AMC-0751	AMC-0501 AMC-0751	AMC-0501 AMC-0751		AMC-0501 AMC-0751
1000V	14 AWG	4C	AMC-0751		AMC-0751	AMC-0751	AMC-0751	AMC-0751		AMC-0751
1000V	12 AWG	2C	AMC-0751		AMC-0751	AMC-0751	AMC-0501 AMC-0751	AMC-0501 AMC-0751		AMC-0501 AMC-0751
1000V	12 AWG	3C	AMC-0751		AMC-0751	AMC-0751	AMC-0751	AMC-0751		AMC-0751
1000V	12 AWG	4C	AMC-0751		AMC-0751 AMC-1001	AMC-0751 AMC-1001	AMC-0751	AMC-0751		AMC-0751 AMC-1001
1000V	10 AWG	2C	AMC-0751		AMC-0751	AMC-0751	AMC-0751	AMC-0751		AMC-0751
1000V	10 AWG	3C	AMC-0751		AMC-0751 AMC-1001	AMC-0751 AMC-1001	AMC-0751 AMC-1001	AMC-0751		AMC-0751
1000V	10 AWG	4C	AMC-0751 AMC-1001		AMC-0751 AMC-1001	AMC-1001	AMC-0751 AMC-1001	AMC-0751 AMC-1001		AMC-0751 AMC-1001
1000V	8 AWG	2C	AMC-0751 AMC-1001	AMC-0751 AMC-1001	AMC-0751 AMC-1001	AMC-0751 AMC-1001	AMC-0751 AMC-1001	AMC-0751 AMC-1001		AMC-0751 AMC-1001
1000V	8 AWG	3C	AMC-0751 AMC-1001	AMC-0751 AMC-1001	AMC-1001	AMC-0751 AMC-1001	AMC-0751 AMC-1001	AMC-0751 AMC-1001		AMC-0751 AMC-1001
1000V	8 AWG	4C	AMC-1001	AMC-1001	AMC-1001	AMC-1001	AMC-1001	AMC-1001		AMC-1001
1000V	6 AWG	1C			AMC-0751	AMC-0751		AMC-0501 AMC-0751		
1000V	6 AWG	2C	AMC-1001	AMC-1001	AMC-1001	AMC-1001	AMC-1001	AMC-1001		AMC-1001
1000V	6 AWG	3C	AMC-1001	AMC-1001	AMC-1001	AMC-1001	AMC-1001	AMC-1001		AMC-1001 AMC-1251
1000V	6 AWG	4C	AMC-1251	AMC-1251	AMC-1251	AMC-1251	AMC-1251	AMC-1001 AMC-1251		AMC-1251
1000V	4 AWG	1C			AMC-0751	AMC-0751		AMC-0751		
1000V	4 AWG	2C		AMC-1001 AMC-1251	AMC-1001 AMC-1251	AMC-1001 AMC-1251	AMC-1001 AMC-1251	AMC-1001		AMC-1251
1000V	4 AWG	3C	AMC-1251	AMC-1251	AMC-1251	AMC-1251	AMC-1251	AMC-1251		AMC-1251
1000V	4 AWG	4C	AMC-1251	AMC-1251	AMC-1251	AMC-1251	AMC-1251	AMC-1251		AMC-1251
1000V	3 AWG	1C			AMC-0751	AMC-0751 AMC-1001		AMC-0751		
1000V	3 AWG	2C		AMC-1251	AMC-1251	AMC-1251	AMC-1251	AMC-1251		

The fittings selection guide is based on nominal cable sizes provided by cable manufacturers and does not account for cable manufacturing tolerances.

Copyright© 2019 ABB / 19CP06-101

## Iberville AMC Series

### Fitting Selection Guide (continued)

Cable Specs (Voltage, AWG, # Conductors)	Belden	Decacables	General Cable	Nexans	Northern Cables	Prysmian	Shawflex	Southwire
1000V 3 AWG 3C	AMC-1251	AMC-1251	AMC-1251	AMC-1251	AMC-1251	AMC-1251		AMC-1251
1000V 3 AWG 4C		AMC-1251 AMC-1501	AMC-1251	AMC-1251 AMC-1501	AMC-1251	AMC-1251		AMC-1501
1000V 2 AWG 1C			AMC-0751 AMC-1001	AMC-0751 AMC-1001		AMC-0751		
1000V 2 AWG 2C		AMC-1251	AMC-1251	AMC-1251	AMC-1251	AMC-1251		AMC-1251
1000V 2 AWG 3C	AMC-1251	AMC-1251	AMC-1251	AMC-1251	AMC-1251	AMC-1251		AMC-1251 AMC-1501
1000V 2 AWG 4C	AMC-1501	AMC-1251 AMC-1501	AMC-1251 AMC-1501	AMC-1501	AMC-1251 AMC-1501	AMC-1251 AMC-1501		AMC-1501
1000V 1 AWG 1C			AMC-1001	AMC-1001		AMC-1001		
1000V 1 AWG 2C		AMC-1251 AMC-1501	AMC-1251 AMC-1501	AMC-1501	AMC-1251 AMC-1501	AMC-1251 AMC-1501		
1000V 1 AWG 3C	AMC-1501	AMC-1501	AMC-1501	AMC-1501	AMC-1501	AMC-1501		AMC-1501
1000V 1 AWG 4C	AMC-1501 AMC-2001	AMC-1501	AMC-1501 AMC-2001	AMC-1501	AMC-1501	AMC-1501		AMC-2001
1000V 1/0 AWG 1C			AMC-1001	AMC-1001		AMC-1001		
1000V 1/0 AWG 2C		AMC-1501	AMC-1501	AMC-1501	AMC-1501	AMC-1501		
1000V 1/0 AWG 3C	AMC-1501	AMC-1501	AMC-1501	AMC-1501	AMC-1501	AMC-1501		AMC-2001
1000V 1/0 AWG 4C	AMC-2001	AMC-2001	AMC-2001	AMC-2001	AMC-2001	AMC-2001		AMC-2001
1000V 2/0 AWG 1C			AMC-1001	AMC-1001		AMC-1001		
1000V 2/0 AWG 2C		AMC-1501	AMC-1501	AMC-1501	AMC-1501	AMC-1501		
1000V 2/0 AWG 3C	AMC-2001	AMC-1501 AMC-2001	AMC-2001	AMC-2001	AMC-1501 AMC-2001	AMC-1501 AMC-2001		AMC-2001
1000V 2/0 AWG 4C	AMC-2001	AMC-2001	AMC-2001	AMC-2001	AMC-2001	AMC-2001		AMC-2001
1000V 3/0 AWG 1C			AMC-1001	AMC-1001 AMC-1251		AMC-1001		
1000V 3/0 AWG 2C		AMC-1501 AMC-2001	AMC-1501 AMC-2001	AMC-2001	AMC-1501 AMC-2001	AMC-1501 AMC-2001		AMC-2001
1000V 3/0 AWG 3C	AMC-2001	AMC-2001	AMC-2001	AMC-2001	AMC-2001	AMC-2001		AMC-2001
1000V 3/0 AWG 4C	AMC-2001 AMC-2501	AMC-2001	AMC-2001	AMC-2001	AMC-2001	AMC-2001		AMC-2001 AMC-2501

The fittings selection guide is based on nominal cable sizes provided by cable manufacturers and does not account for cable manufacturing tolerances.  
 Copyright© 2019 ABB / 19CP06-101