

**New**



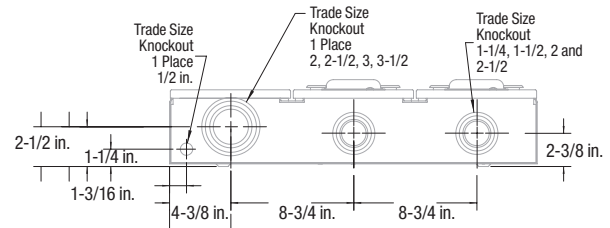
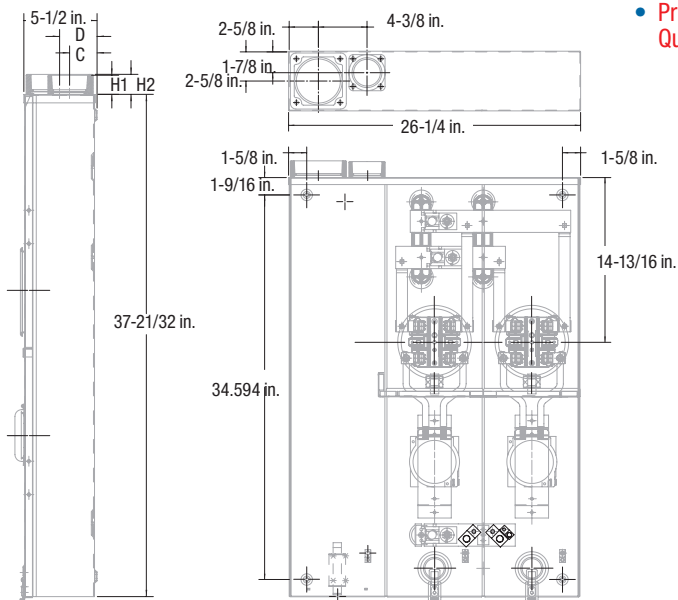
## CO42 Series

**400 A (Main Lugs), 200 A per Position, Single Phase  
120/240 V; Multiple Position Combination with  
Compartment with or without Breaker**

### Product Specifications

- Conductor range: Line: Dual rated connectors for 1 x 4 AWG-600 kcmil or 2 x 1/0 AWG-250 kcmil, Load: 6 AWG-250 kcmil
- Aluminum tunnel type connectors for both load and line sides
- Combination overhead/underground
- Factory pre-bussed from main lugs to each position
- Supplied with hub opening closure plate for underground service
- Internal locking system for covers
- Larger hub opening requires use of 3 in., 3-1/2 in., or 4 in. hubs unless BS052 adaptor plate is used
- Supplied with screw type rings
- Factory installed 2 pole circuit breaker, 10,000 A rms interrupting capacity
- Siemens Type "QJ" breaker
- With adjustable breaker plate for field installation of Square D-Type QBL and Eaton-Type ED breakers
- C03009-KIT (Siemens), C03009SD-KIT (Square D) and C03409FB-KIT (Eaton) conductor kits available (breakers not included) see page D52
- Weatherproof Type 3R enclosure
- **Primarily uses in: All Provinces**  
**Quebec only: As per Hydro-Québec spec (supplied with 22 kA Siemens breaker)**

Note: Consult your Regional Sales Office for right-hand entry option.



Hub Cat. No.	Hub Size	C (in.)	D (in.)	H1 (in.)	H2 (in.)
MH10X	1	1-7/16	N/A	1-1/8	N/A
MH12X	1-1/4	1-5/8	N/A	1-1/32	N/A
MH15	1-1/2	1-11/16	N/A	1-1/32	N/A
MH20	2	1-15/16	N/A	1-1/32	N/A
MH25	2-1/2	2-1/8	N/A	1-7/16	N/A
MH30	3	N/A	2-7/16	N/A	1-1/2
MH35	3-1/2	N/A	2-7/8	N/A	1-1/2
MH40	4	N/A	2-7/8	N/A	1-1/2



Approved for copper or aluminum

Cat. No.	Type	Description	Position	Dimensions (in.)			Weight Each	
				H	W	D	lb.	kg
<b>Left-Hand Entry</b>								
C042	Combination OH/UG	2 gang with blank compartment, provision for Siemens 2 x (QJ), 200 A 2 pole 10 kA rated circuit breakers	2	26-1/4	5-1/2	100	36.29	75
C042-200		2 gang with blank compartment, c/w Siemens 2 x QJ 200 A 2 pole 10 kA rated circuit breakers						
C042-200HI		2 gang with blank compartment, c/w Siemens 2 x QJH 200 A 2 pole 22 kA rated circuit breakers						
C043		3 gang with blank compartment, provision for Siemens 3 x (QJ), 200 A 2 pole 10 kA rated circuit breakers	3	37-1/2	39-3/8	100	36.29	75
C043-200		3 gang with blank compartment, c/w Siemens 3 x QJ 200 A 2 pole 10 kA rated circuit breakers						
C043-200HI		3 gang with blank compartment, c/w Siemens 3 x QJH 200 A 2 pole 22 kA rated circuit breakers	4	43-1/2	125	56.70	75	
C044		4 gang with blank compartment, provision for Siemens 4 x (QJ), 200 A 2 pole 10 kA rated circuit breakers						
C044-200		4 gang with blank compartment, c/w Siemens 4 x QJ 200 A 2 pole 10 kA rated circuit breakers						
C044-200HI	4 gang with blank compartment, c/w Siemens 4 x QJH 200 A 2 pole 22 kA rated circuit breakers							

Note: Ex. C042-XXX, suffix (XXX) can be replaced by any of the following breaker amperage options: 100, 125 or 150. Consult your Regional Sales Office for price and availability.