

New

CO22 Series

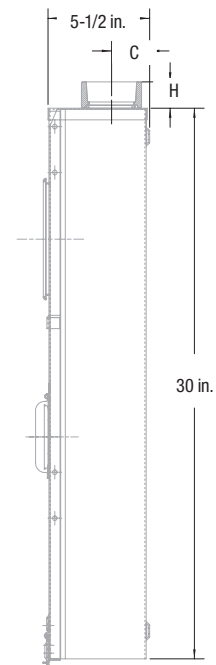
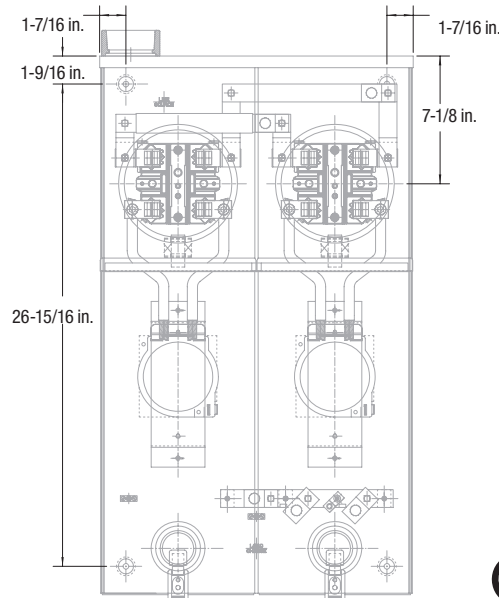
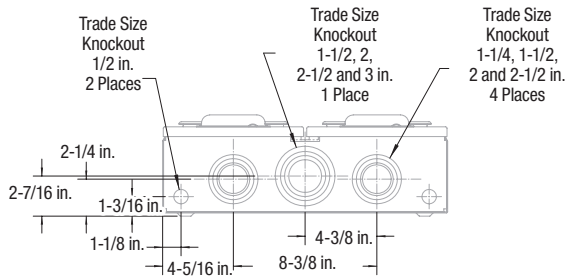
200 A (Main Lugs), 200 A per Position, Single Phase 120/240 V; Multiple Position Combination with or without Breaker

Product Specifications

- Conductor range: Line: 6 AWG-250 kcmil, Load: 6 AWG-250 kcmil
- Aluminum tunnel type connectors for both load and line sides
- For overhead and underground services
- Factory pre-bussed from main lugs to each position
- Supplied with hub opening closure plate for underground service
- Internal locking system for covers
- Supplied with screw type sealing rings
- Factory installed 2 pole circuit breaker, 10,000 A rms interrupting capacity
- Siemens Type "QJ" breaker
- With adjustable breaker plate for field installation of Square D-Type QBL and Eaton-Type ED breakers
- C03009-KIT (Siemens), C03009SD-KIT (Square D) and C03409FB-KIT (Eaton) conductor kits available (breakers not included) see page D52
- Weatherproof Type 3R enclosure
- **Primarily used in: All provinces**
Quebec only: As per Hydro-Québec spec
(supplied with 22 kA Siemens breaker)



Note: Consult your Regional Sales Office for right-hand entry option.



Hub Cat. No.	Hub Size	C (in.)	H (in.)
MH10X	1	1-7/16	1-1/8
MH12X	1-1/4	1-5/8	1-1/32
MH15	1-1/2	1-11/16	1-1/32
MH20	2	1-15/16	1-1/32
MH25	2-1/2	2-1/8	1-7/16



Approved for copper or aluminum

Cat. No.	Type	Description	Position	Dimensions (in.)			Weight Each	
				H	W	D	lb.	kg
Left-Hand Entry								
CO22	Combination OH/UG*	2 gang, provision for Siemens 2 x (QJ), 200 A 2 pole 10 kA rated circuit breakers	2	30	5-1/2	17-1/2	40	18.14
CO22-200		2 gang, c/w Siemens 2 x QJ 200 A 2 pole 10 kA rated circuit breakers				26-1/4	60	27.21
CO22-200HI		2 gang with blank compartment, c/w Siemens 2 x QJH 200 A 2 pole 22 kA rated circuit breakers	3	5-1/2	26-1/2	60	27.21	
CO23		3 gang, provision for Siemens 3 x (QJ), 200 A 2 pole 10 kA rated circuit breakers			35	80	36.29	
CO23-200		3 gang, c/w Siemens 3 x QJ 200 A 2 pole 10 kA rated circuit breakers	4	5-1/2	35-1/4	80	36.28	
CO23-200HI		3 gang with blank compartment, c/w Siemens 3 x QJH 200 A 2 pole 22 kA rated circuit breakers			43-3/4	100	45.36	
CO24		4 gang, provision for Siemens 4 x (QJ), 200 A 2 pole 10 kA rated circuit breakers	4	5-1/2	43-3/4	100	45.36	
CO24-200		4 gang, c/w Siemens 4 x QJ 200 A 2 pole 10 kA rated circuit breakers						
CO24-200HI		4 gang with blank compartment, c/w Siemens 4 x QJH 200 A 2 pole 22 kA rated circuit breakers						

Note: Ex. CO22-XXX, suffix (XXX) can be replaced by any of the following breaker amperage options: 100, 125 or 150. Consult your Regional Sales Office for price and availability.
*Only allowed for underground use if local utility authority does not require a blank compartment. If blank compartment is required, recommend CO22-U.