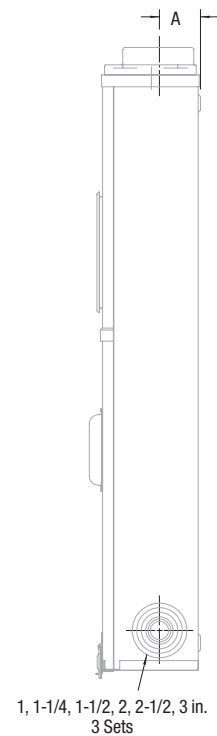
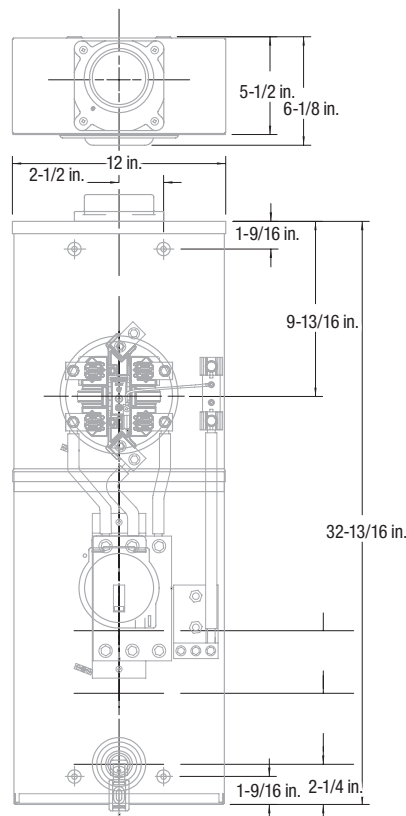
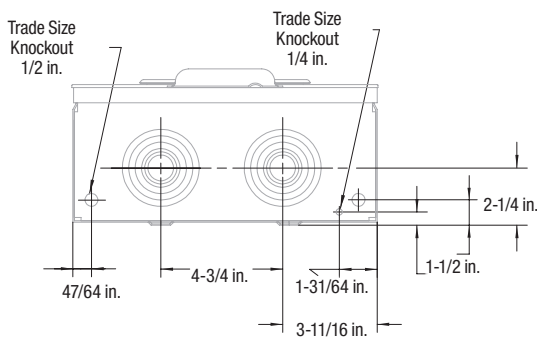


CO27 Series

200 A, 120/208 V; Combination Polyphase with Breaker

Product Specifications

- Conductor range (Line and Load): 2 AWG-250 kcmil
- Aluminum tunnel type connectors
- Suitable for 120/208 V polyphase service entrance
- For overhead installation
- Larger hub opening requires use of 3 in., 3-1/2 in. or 4 in. hubs unless BS052 adaptor plate is used
- Factory installed 3 pole circuit breaker, 10,000 A rms interrupting capacity
- “QJ” Type Siemens 10 kA breaker
- Weatherproof Type 3R enclosure
- Supplied with screw type rings
- **Primarily uses in: All Provinces**



Hub Cat. No.	Hub Size	A (in.)
MH30	3	2-5/16
MH35	3-1/2	2-3/4
MH40	4	2-3/4



Approved for copper or aluminum

Cat. No.	Type	Description	Dimensions (in.)			Weight Each	
			H	W	D	lb.	kg
Left-Hand Entry c/w Breaker							
CO27B-100	Overhead	c/w Siemens QJ 100 A 3 pole 10 kA rated circuit breaker	32-3/4	11-13/16	5-7/16	30	13.6
CO27B-150		c/w Siemens QJ 150 A 3 pole 10 kA rated circuit breaker					
CO27B-200		c/w Siemens QJ 200 A 3 pole 10 kA rated circuit breaker					