

## Flush Service Floor Boxes

### Round Floor Boxes for Power or Communications: 600 Series

#### Features

- Cast iron, watertight body, fully adjustable
- Painted silver enamel inside and out for additional corrosion resistance
- Interior and exterior leveling screws permit adjustment to meet finished floor
- Shipped complete with expendable cap to prevent ingress of concrete during pour
- 3/4 in. threaded conduit openings are standard
- Uses P60 Series MopTite™ covers and carpet plate
- For brushed aluminum, add AL after catalogue number

600 Series Floor Boxes provide flush service for power or communications/data. 600 Series Floor Boxes can be used **for carpet or tile applications.**



#### 600 Series — Cast Iron

Cat. No.	Description	Std. Ctn.
600-SC	3/4 in. Conduit Tapping	4
600-AL-SC	Aluminum Trim Ring	
600-1-SC	1 in. Conduit Tapping	
600-2-SC	2 in. Conduit Tapping	
601-1/2-SC	1/2 in. Conduit Tapping	
601-SC	3/4 in. Conduit Tapping	
601-1	1 in. Conduit Tapping	
601-1-1/4	1-1/4 in. Conduit Tapping	
602-SC	3/4 in. Conduit Tapping	
603-SC	3/4 in. Conduit Tapping	
603-AL-SC	3/4 in. Conduit Tapping with Aluminum Trim Ring	
604-SC	3/4 in. Conduit Tapping	
604-AL-SC	3/4 in. Conduit Tapping with Aluminum Trim Ring	

P-60 Covers sold separately

#### Engineering Data — 600 Series



Cat. No.	Dimensions (in.)			Before Pour Adj. (in.)	After Pour Adj. (in.)	Maximum Capacity (cu. in.)	Standard Conduit Tapping (in.)	Maximum Conduit Tapping (in.)		KOS (in.)	
	A	B	C					w/Bushing	w/o Bushing	Sides	Bottom
600-SC	4-1/4	4-1/4	5-1/8	2-1/2	15/16	64	3/4	1-1/2	2	(4) 3/4	(2) 3/4
600-1-SC							1	1	1		
600-1-1/4							1-1/4	1-1/4	1-1/4		
600-2-SC							2	1-1/2	2		
601-SC	4-1/4	3-9/16	4	2-1/2	11/16	56	3/4	1	1-1/4	-	-
601-1							1	1	1		
601-1-1/4							1-1/4	1-1/4	1-1/4		
602-SC	4-1/4	3-1/32	4	2-1/2	11/16	36	3/4	3/4	1	-	-
603-SC		2-1/2							3/4		
604-SC		2							1-1/2		

Use P-60 Series covers and carpet plates. Wiring Device: Duplex, single or voice/data plates

## Flush Service Floor Boxes

### MopTite™ Carpet Plates for 68 and 600 Series



**P-60-3/4-2-CACP**

- Polished brass finish
- Carpet plate with 3/4 in. and 2 in. plugs
- Furnished complete with sealing gasket and 8-32 x 1 in. brass screws
- 5-3/4 in. outside diameter



**P-60-CP**

- Polished brass finish
- Furnished complete with 8-32 x 1 in. brass screws
- For brushed aluminum, add AL after catalogue number



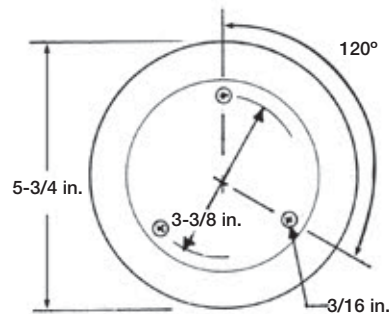
**P-60-LCP**

- Translucent polycarbonate
- Textured finish



**P-60-CACP**

- Polished brass finish
- Carpet plate with duplex hinged lift lids
- Furnished complete with sealing gasket and 8-32 x 1 in. brass screws
- 5-3/4 in. outside diameter



**P-60-CACP-GFCI**

- Polished brass finish
- Carpet plate with GFCI lift lids
- Furnished complete with sealing gasket and 8-32 x 1 in. brass screws
- 5-3/4 in. outside diameter

Cat. No.	Description	Finish	Std. Ctn.
<b>P-60-CP</b>	Carpet Plate, 5-11/16 in. diameter	Brass	4
<b>P-60-CP-AL</b>	Carpet Plate	Aluminum	
<b>P-60-LCP</b>	Carpet Plate, 5-3/8 in. diameter	Brass	
<b>P-60-CACP</b>	One-Piece Carpet Cover Plate	Brass	
<b>P-60-CACP-AL</b>	One-Piece Carpet Cover Plate	Aluminum	
<b>P-60-3/4-2-CACP</b>	One-Piece Carpet Plate with 3/4 in. – 2 in. Plugs	Polycarbonate	
<b>P-60-3/4-2-CACP-AL</b>	One-Piece Carpet Plate with 3/4 in. – 2 in. Plugs	Aluminum	
<b>P-60-CACP-GFCI</b>	One-Piece Carpet Plate for GFCI Devices	Brass	
<b>P-60-CACP-GFI-AL</b>	One-Piece Carpet Plate for GFCI Devices	Aluminum	

For replacement parts, please refer to pages C86 – C87.

## Flush Service Floor Boxes

### MopTite™ Carpet Plates for 68 and 600 Series

- Polished brass finish
- Furnished complete with sealing gasket and 8-32 x 7/16 in. brass screws
- 4 in. outside diameter



**P-60-DS\***  
Hinged Lift Lids



**P-60-DU\***  
Duplex 1-7/16 in. Lid



Cat. No.	Description	Finish	Std. Ctn.
<b>P-60-1/2</b>	1/2 in. N.P.S. Plug Size	Brass	4
<b>P-60-1/2-AL</b>		Aluminum	
<b>P-60-3/4</b>	3/4 in. N.P.S. Plug Size	Brass	
<b>P-60-3/4-AL</b>		Aluminum	
<b>P-60-1</b>	1 in. N.P.S. Plug Size	Brass	
<b>P-60-1-AL</b>		Aluminum	
<b>P-60-1-1/4</b>	1-1/4 in. N.P.S. Plug Size	Brass	
<b>P-60-1-1/4-AL</b>		Aluminum	
<b>P-60-2</b>	2 in. Diameter Plug Size	Brass	
<b>P-60-2-AL</b>		Aluminum	
<b>P-60-2-5/8</b>	2-5/8 in. Diameter Plug Size	Brass	
<b>P-60-2-5/8-AL</b>		Aluminum	
<b>P-60-1/2-2</b>	1/2 – 2 in. Diameter Plug Size	Brass	
<b>P-60-1/2-2-AL</b>		Aluminum	
<b>P-60-3/4-2</b>	3/4 – 2 in. Diameter Plug Size	Brass	
<b>P-60-3/4-2-AL</b>		Aluminum	
<b>P-60-DR</b>	With Duplex Lift Lid	Brass	
<b>P-60-DS</b>	For Duplex with Individual Lift Lids	Brass	
<b>P-60-DS-AL</b>		Aluminum	
<b>P-60-DU</b>	With Two 1-7/16 in. Plugs for Duplex	Brass	
<b>P-60-DU-AL</b>		Aluminum	
<b>P-60-GFCI</b>	For GFCI Devices	Brass	
<b>P-60-GFCI-AL</b>		Aluminum	

68P-FL or 68P-FL-AL required to attach cover plates to 68-P floor box  
 New MopTite™ Covers exceed UL watertight requirements for 514A, 514C  
 For replacement parts please refer to pages C86 – C87.



**P-60-1/2**  
1/2 in. N.P.S. plug



**P-60-3/4**  
3/4 in. N.P.S. plug



**P-60-1**  
1 in. N.P.S. plug



**P-60-1-1/4**  
1-1/4 in. N.P.S. plug



**P-60-2\***  
2 in. dia. plug



**P-60-2-5/8\***  
2-5/8 in. dia. plug



**P-60-1/2-2\***  
1/2 in. & 2 in. dia. plugs



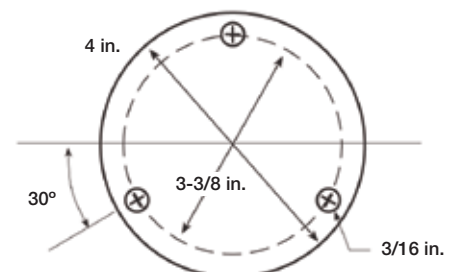
**P-60-3/4-2\***  
3/4 in. & 2 in. dia. plugs



**P-60-DR\***  
Duplex lift lid



**P-60-GFCI\***  
For GFCI Devices



\*Also includes steel seating plate for receptacles