

Thomas & Betts

A Breakthrough Solution for
Corrosive Environments!

T&B Fittings

Stainless Steel
Liquidtight Conduit
Connectors



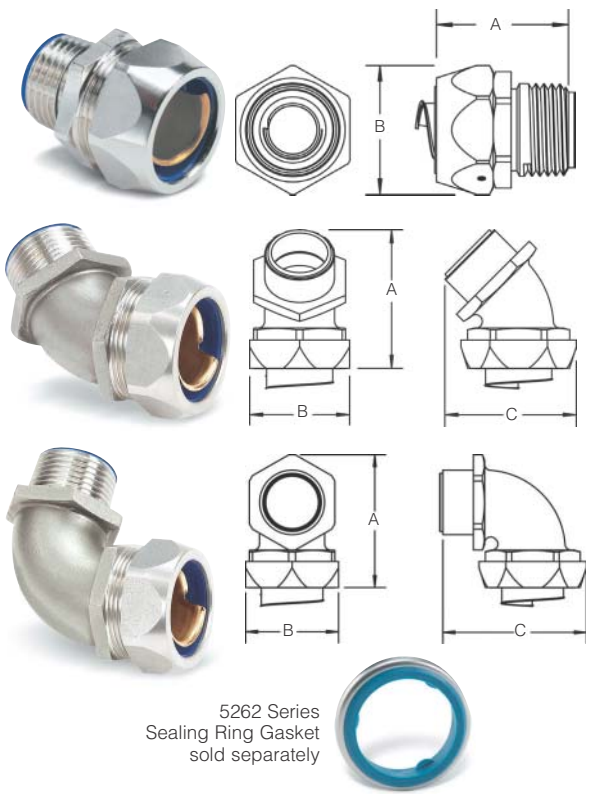


T&B Fittings

Stainless Steel Liquidtight Conduit Connectors

The Strength of Steel — with Superior Corrosion-Resistance!

Until now, there's been no ideal conduit fitting solution for use in heavily corrosive environments. Traditional metallic fittings corrode and require frequent replacement. Nonmetallic fittings offer less strength, lower UV-resistance, and don't stand up well in extreme temperatures. T&B Stainless Steel Liquidtight Conduit Connectors are constructed of 304 stainless steel to resist corrosion while offering high strength, high UV-resistance, and high endurance. Choose among a full range of fittings in straight, 45°, and 90° angled configurations for 3/8" to 2" conduit sizes. Look for the distinctive blue insulator and sealing ring for assurance of T&B quality.



5262 Series Sealing Ring Gasket sold separately

- Ideal for industrial MRO and OEM applications in food and beverage, pharmaceutical, petrochemical, waste water, salt water, and other corrosive environments
- Connects metallic-cored liquidtight conduit to a box or enclosure
- 304 stainless steel body and gland-nut resists corrosion far better than other metallic fittings
- Stronger, more UV-resistant than nonmetallic fittings
- Available in straight, 45°, and 90° angled configurations to fit conduit from 3/8" to 2"
- UL® Listed Ratings: 3, 3R, 4, 4X
- 5262 Sealing Ring Gasket (sold separately) includes a stainless steel retaining ring to prevent elongation of the gasket and is made from Santoprene™ material, ensuring a superior seal



Liquidtight Conduit Connectors

Cat. Number	Size	Dimensions			Std. Pkg. Qty.	UPC Number
		A	B	C		
Straight						
5331SST	3/8"	1.360"	1.02"	—	25	78621097764
5332SST	1/2"	1.360"	1.18"	—	25	78621084482
5333SST	3/4"	1.388"	1.37"	—	25	78621074480
5334SST	1"	1.562"	1.77"	—	5	78621096334
5335SST	1 1/4"	1.720"	2.12"	—	20	78621097765
5336SST	1 1/2"	2.020"	2.48"	—	5	78621097766
5337SST	2"	2.335"	3.04"	—	2	78621097767
45° Angled						
5341SST	3/8"	1.84"	1.02"	1.43"	25	78621097775
5342SST	1/2"	1.62"	1.18"	2.04"	25	78621097776
5343SST	3/4"	2.32"	1.37"	1.93"	10	78621097777
5344SST	1"	2.86"	1.77"	2.37"	5	78621097778
5345SST	1 1/4"	3.33"	2.12"	2.80"	5	78621097779
5346SST	1 1/2"	3.94"	2.48"	3.39"	2	78621097780
5347SST	2"	4.73"	3.04"	4.23"	1	78621097781

Cat. Number	Size	Dimensions			Std. Pkg. Qty.	UPC Number
		A	B	C		
90° Angled						
5351SST	3/8"	1.95"	1.02"	1.84"	25	78621097768
5352SST	1/2"	2.12"	1.18"	2.07"	25	78621097769
5353SST	3/4"	2.47"	1.37"	2.44"	10	78621097770
5354SST	1"	2.98"	1.77"	2.90"	5	78621097771
5355SST	1 1/4"	3.53"	2.12"	3.36"	5	78621097772
5356SST	1 1/2"	4.16"	2.48"	3.88"	2	78621097773
5357SST	2"	8.60"	3.04"	4.69"	1	78621097774
Sealing Gasket						
5261	3/8"	—	—	—	50	78621005261
5262	1/2"	—	—	—	50	78621005262
5263	3/4"	—	—	—	25	78621005263
5264	1"	—	—	—	25	78621005264
5265	1 1/4"	—	—	—	5	78621005265
5266	1 1/2"	—	—	—	5	78621005266
5267	2"	—	—	—	5	78621005267

Atlantic Region
 Thomas & Betts Limited
 106 Chain Lake Drive, Unit 2C
 Halifax, Nova Scotia B3S 1A8
 Tel.: (902) 450-1307
 Toll Free: 1-877-862-4357
 Fax: (902) 450-1309

Quebec Region
 Thomas & Betts Limited
 7900 Taschereau Boulevard
 Building D, Suite 108
 Brossard, Quebec J4X 1C2
 Tel.: (450) 466-1102
 Toll Free: 1-800-465-1399
 Fax: (450) 466-1163

Ontario Region
 Thomas & Betts Limited
 2000 Argenta Road
 Plaza 5, Suite 500
 Mississauga, Ontario L5N 2R7
 Tel.: (905) 858-1010
 Toll Free: 1-877-291-7771
 Fax: (905) 858-1080

Western Region
 Thomas & Betts Limited
 6531-148th Street, #1
 Surrey, British Columbia
 V3S 3C5
 Tel.: (604) 598-9811
 Toll Free: 1-866-540-8220
 Fax: (604) 598-9840

Thomas & Betts Limited
 4836 Eleniak Road
 Edmonton, Alberta T6B 2S1
 Tel.: (780) 424-7092
 Toll Free: 1-888-664-5666
 Fax: (780) 424-7093
 Toll Free: 1-866-424-4082

