

Another innovative solution for Wire and Cable Management



New transformer-rated meter socket accepted by Hydro-Québec

Microelectric® CT104-5SWLHQ meter socket replaces AB100 Series for 120/240 V services, above 200 A, that require current transformers.

As of July 1, 2014, the new Microelectric® CT104-5SWLHQ meter socket will replace the AB100 Series for all installations in Quebec exceeding 200 A that require instrument transformer metering.

Pre-wired as per Hydro-Québec's specifications

Includes Hydro-Québec-approved test switch

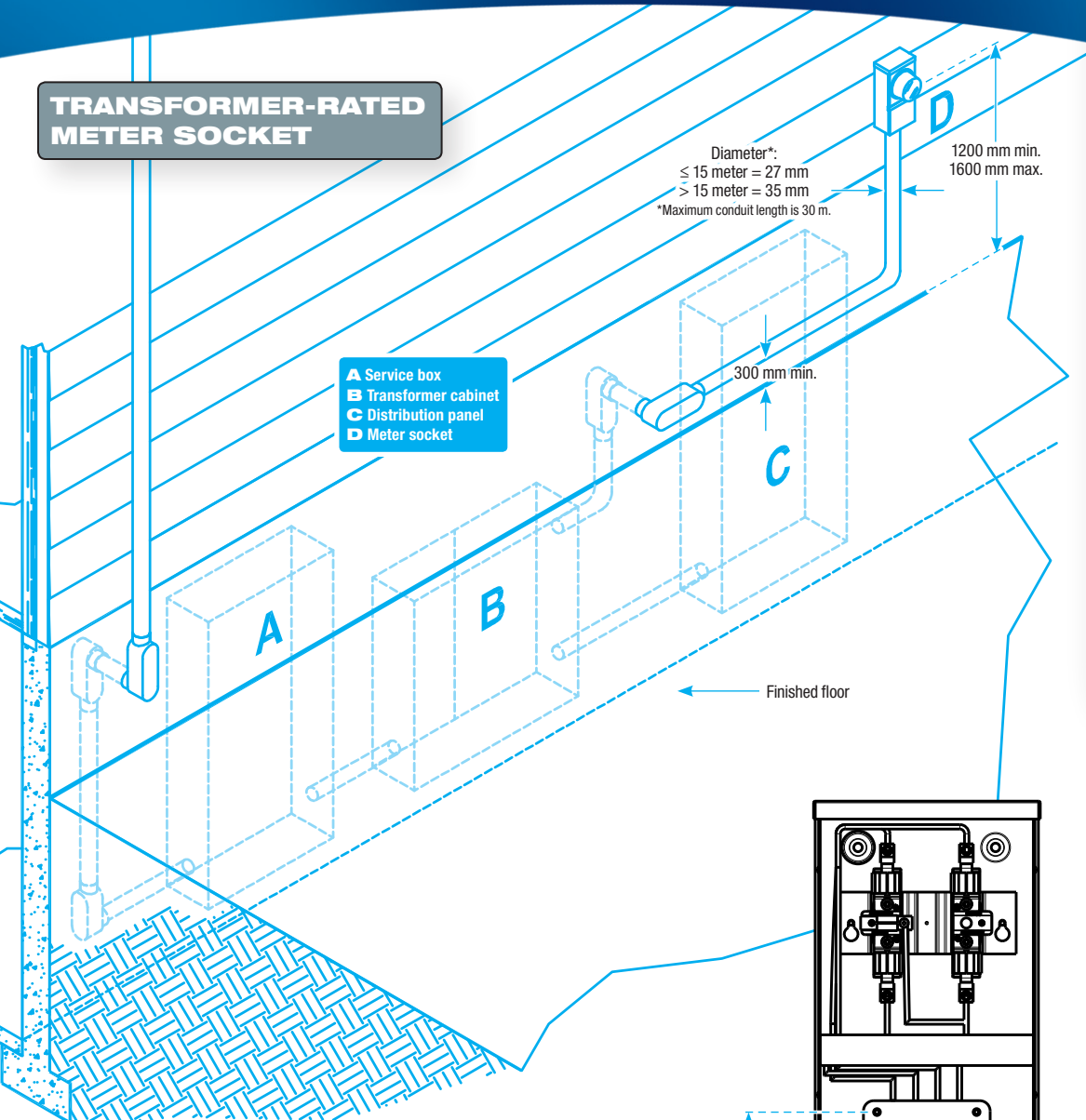
Manufactured in Quebec to Hydro-Québec specifications

- Compact unit – smaller footprint than standard CT104 Series
- Conductor range: 14-10 AWG
- Transformer-rated – 20 A, 600 V maximum
- Suitable for 120/240 V single-phase service entrance
- Hydro-Québec-approved test switch included
- Units are pre-wired from base to test switch
- Lower test switch compartment cover securely held by upper cover and a catch at bottom
- Weatherproof Type 3R enclosure
- Designed and manufactured to Hydro-Québec specifications in Saint-Jean-sur-Richelieu, Quebec
- CSA Certified



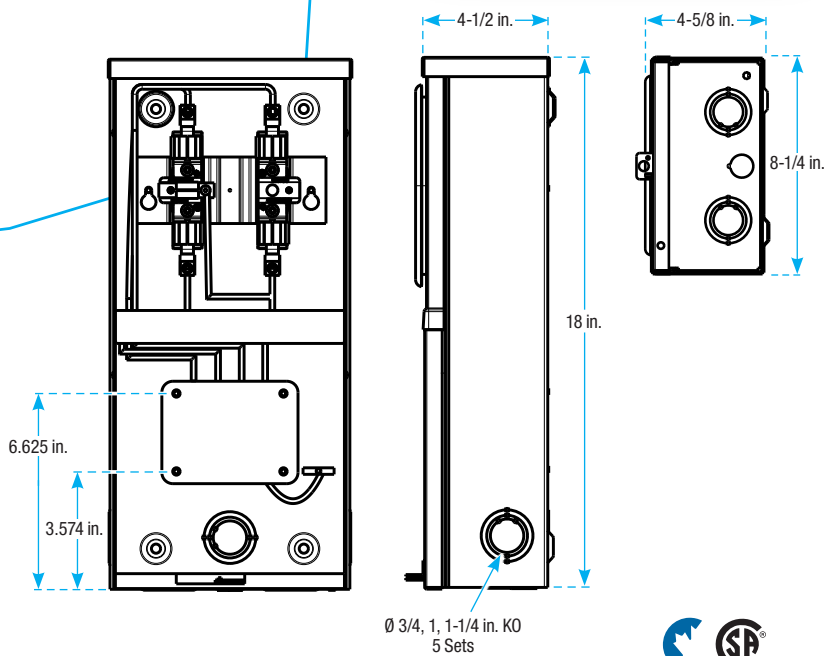
Thomas & Betts. Your best connection for innovative solutions.

TRANSFORMER-RATED METER SOCKET



New Hydro-Québec requirement
 As of July 1, 2014, the new CT104-5SWLHQ meter socket replaces the AB100 Series for all installations in Quebec above 200 A.

Reprinted with permission from Hydro-Québec. Reference: Hydro-Québec Blue Book, Articles 0.3, 7.3, 7.5.1 and 7.5.1.1. For installation instructions, refer to the July 1, 2014 edition of the Hydro-Québec Blue Book, Standard E.21-10, 10th edition, Chapter 7.



Microelectric® CT104-5SWLHQ – Hydro-Québec

CAT. NO.	DESCRIPTION	DIMENSIONS (in.)			WEIGHT PER EACH	
		H	W	D	lb.	kg
CT104-5SWLHQ	Hydro-Québec-approved 20 A current transformer meter socket	18	8-1/4	4-1/2	11 lb.	5.4 kg

Atlantic Provinces

Thomas & Betts Limited
 Tel.: (902) 450-1307
 Toll Free: 1-877-862-4357
 Fax: (902) 450-1309

Quebec

Thomas & Betts Limited
 Tel.: (450) 466-1102
 Toll Free: 1-800-465-1399
 Fax: (450) 466-1163

Ontario

Thomas & Betts Limited
 Tel.: (905) 858-1010
 Toll Free: 1-877-291-7771
 Fax: (905) 858-1080

Manitoba/Saskatchewan

Thomas & Betts Limited
 Tel.: (604) 598-9811
 Toll Free: 1-866-540-8220
 Fax: (604) 598-9840

Alberta

Thomas & Betts Limited
 Tel.: (780) 424-7092
 Toll Free: 1-888-664-5666
 Fax: (780) 424-7093
 Toll Free: 1-866-424-4082

British Columbia

Thomas & Betts Limited
 Tel.: (604) 598-9811
 Toll Free: 1-866-540-8220
 Fax: (604) 598-9840