

---

# Microelectric® CO Series Meter sockets

A complete family of combination  
meter sockets and breaker units

Outdoor, above-ground  
main breaker access  
increases safety

# Table of Contents



Introduction.....	3
Microelectric® CO Series .....	4-5
CO1 Series 100 A.....	6
CO1 Series 200 A (Main Lugs), Multiple Position.....	7
CO2 Series 200 A.....	8
CO22 Series 200 A (Main Lugs), Multiple Position.....	9
CO22-U Series 200 A (Main Lugs), Multiple Position, Underground .....	10
CO27 Series 200 A Polyphase.....	11
CO2M Series 200 A.....	12
CO42 Series 400 A (Main Lugs), Multiple position.....	13
Utility-Driven Solutions.....	14-15



The 2012 edition of the Canadian Electrical Code, Rule 6-206 (3) now allows for a main disconnect to be placed on the outside of a building or on a pole, provided the enclosure is protected from weather and mechanical damage. The panel, or service disconnecting means, must be located at the nearest point of entrance of the service conductors which, depending on the province, can vary from 6 to 10 feet.

Combination meter socket and breaker units give the electrical contractor additional flexibility on the placement of the meter socket since the main disconnect is contained in the same unit. In the event of an emergency, such as the recent Alberta and Manitoba floods or Quebec and Ontario ice storms, emergency responders can quickly and safely shut off a building's main power supply from the outside so that on-site workers no longer have to venture into potentially unsafe buildings.

In response to the growing demand for outdoor above-grade electrical service disconnection in Canada, Thomas & Betts is pleased to expand its Microelectric® CO Series into a complete family of combination meter sockets and breaker units certified for use in all provinces across Canada.



## Designed and made in Canada for Canadians

In response to changes in the Canadian Electrical Code and the growing demand for outdoor, above-grade main electrical disconnects, Thomas & Betts has expanded the Microelectric® CO Series to include four new combination meter sockets and breaker units.

With the addition of these new models, the Microelectric® CO Series is now the most complete family of meter sockets with integrated breakers available on the Canadian market and is CSA certified for use in all provinces across Canada.

Designed and manufactured for the Canadian market in our Saint-Jean-sur-Richelieu, Quebec facility, the CO Series continues the Microelectric® tradition of market-driven innovation and made-in-Canada, for Canada, solutions.



# CO Series

## Microelectric® CO Series

The solutions  
you need,  
the quality  
you trust.

- Access to main power supply breaker on building exterior increases safety for homeowners, emergency responders and electricians
- Widest range of combined meter socket/breaker units to meet a full range of installation requirements
- Having the meter and main breaker contained in one unit installed on the load side provides additional flexibility when deciding on installation location
- Proven track record for reliability, quality manufacturing and compliance with local utility specifications



With the addition of four new units, the Microelectric® CO Series is now a complete family that includes both single and multiple position models with a range of main breaker options including 60, 70, 100, 125, 150 and 200 A.

New models include:

**CO22 Series:** Multiple position combination with or without breaker; 200 A (main lugs), 200 A per position, single phase 120/240 V max.

**CO22-U Series:** Multiple position combination with compartment, with or without breaker; 200 A (main lugs), 200 A per position, single phase 120/240 V max.

**CO27 Series:** Combination polyphase with breaker; 200 A, 120/208 V max.

**CO42 Series:** Multiple position combination with compartment, with or without breaker; 400 A (main lugs), 200 A per position, single phase 120/240 V max.

Refer to the following pages for complete product information on each Microelectric® CO Series meter socket.

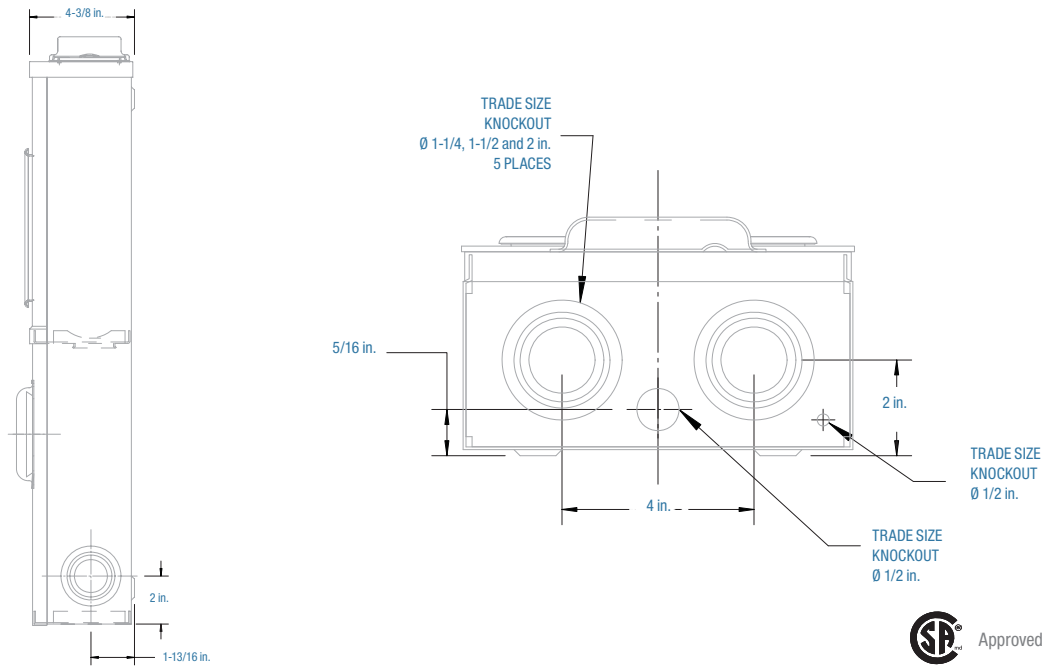


Combination with or without Breaker;  
100 A, 120/240 V Max.



## Product Specifications

- Conductor range (Line and Load): 6-1/0 AWG
- Aluminum tunnel type connectors for both load and line sides
- For overhead installation
- For underground installation, gutter option must be ordered (G)
- Suitable for 120/240 V single phase service entrance for mobile homes, trailers, temporary services, recreational parks and other commercial and residential locations
- Bottom compartment has provision for 2 pole circuit breaker (max. 100 A) Siemens (Q), Square D (QO)
- Supplied with screw type rings
- Weatherproof Type 3R enclosure
- Primarily used: All Provinces



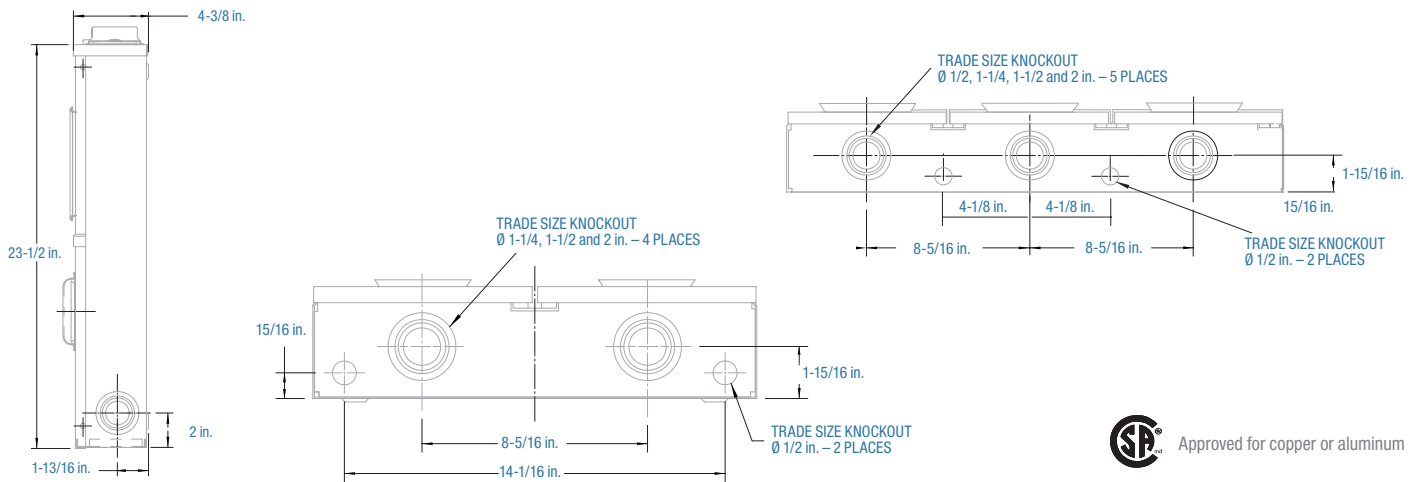
Approved for copper or aluminum

Cat. No.	Type	Description	Dimensions (in.)			Weight Each	
			H	W	D	lb.	kg
<b>4 JAW</b>							
<b>C01</b>	Overhead	Provision for Siemens (Q), 100 A 2 pole 10 kA rated circuit breaker	23-1/2	8-1/4	4-3/8	15	6.8
<b>C01-G</b>	Underground	Provision for Siemens (Q), 100 A 2 pole 10 kA rated circuit breaker, c/w gutter					
<b>C01-5V</b>	Overhead	Provision for Siemens (Q), 100 A 2 pole 10 kA rated circuit breaker, c/w 5 <sup>th</sup> jaw					
<b>C01-60</b>	Overhead	c/w Siemens Q260 60 A 2 pole 10 kA rated circuit breaker					
<b>C01-70</b>	Overhead	c/w Siemens Q270 70 A 2 pole 10 kA rated circuit breaker					
<b>C01-100</b>	Overhead	c/w Siemens Q2100 100 A 2 pole 10 kA rated circuit breaker					
<b>C01-100G</b>	Underground	c/w Siemens Q2100 100 A 2 pole 10 kA rated circuit breaker, c/w gutter					
<b>C01-100HI</b>	Overhead	c/w Siemens Q2100H 100 A 2 pole 22 kA rated circuit breaker					
<b>C01-100HI-G</b>	Underground	c/w Siemens Q2100H 100 A 2 pole 22 kA rated circuit breaker, c/w gutter					
<b>C01-SD</b>	Overhead	Provision for Square D type "QO" 100 A 2 pole 10 kA rated circuit breaker					
<b>C01-SD-G</b>	Underground	Provision for Square D type "QO" 100 A 2 pole 10 kA rated circuit breaker, c/w gutter					

Multiple Position Combination with or without Breaker;  
200 A (Main Lugs), 100 A per Position, 120/240 V Max.

## Product Specifications

- Conductor range: Line: 6 AWG-250 kcmil, Load: 6-1/0 AWG
- Overhead only – tunnel type connectors for both load and line sides
- Underground only – aluminum tunnel type connector load side (6-1/0 AWG), line side 1/2 in. studs
- Supplied with screw type rings
- Weatherproof Type 3R enclosure
- Bottom compartment has provision for 2 pole circuit breaker (max. 100 A) Siemens (Q), Square D (QO)
- Primarily used: All Provinces  
Quebec only: As per Hydro-Québec spec (supplied with 22 kA Siemens breaker)



Cat. No.	Type	Description	Position	Dimensions (in.)			Weight Each	
				H	W	D	lb.	kg
<b>4 JAW</b>								
<b>C012</b>	Overhead	2 gang, provision for Siemens 2 x Q2100 100 A 2 pole 10 kA rated circuit breakers	2	16-1/2	30	13.60		
<b>C012-100</b>	Overhead	2 gang, c/w Siemens 2 x Q2100 100 A 2 pole 10 kA rated circuit breakers						
<b>C012-100HI</b>	Overhead	2 gang, c/w Siemens 2 x Q2100H 100 A 2 pole 22 kA rated circuit breakers						
<b>C012-100HI-U</b>	Underground	2 gang with blank compartment, c/w Siemens 2 x Q2100H 100 A 2 pole 22 kA rated circuit breakers						
<b>C012-SD</b>	Overhead	2 gang, provision for Square D type "QO" 2 x 100 A 2 pole 10 kA rated circuit breakers	3	23-1/2	45	20.41		
<b>C012-SD-U</b>	Underground	2 gang with blank compartment, provision for Square D type "QO" 2 x 100 A 2 pole 10 kA rated circuit breakers						
<b>C013</b>	Overhead	3 gang, provision for Siemens 3 x Q2100 100 A 2 pole 10 kA rated circuit breakers						
<b>C013-100</b>	Overhead	3 gang, c/w Siemens 3 x Q2100 100 A 2 pole 10 kA rated circuit breakers						
<b>C013-100HI</b>	Overhead	3 gang, c/w Siemens 3 x Q2100H 100 A 2 pole 22 kA rated circuit breakers	4	33-1/8	60	27.21		
<b>C013-100HI-U</b>	Underground	3 gang with blank compartment, c/w Siemens 3 x Q2100H 100 A 2 pole 22 kA rated circuit breakers						
<b>C013-SD</b>	Overhead	3 gang, provision for Square D type "QO" 3 x 100 A 2 pole 10 kA rated circuit breakers						
<b>C013-SD-U</b>	Underground	3 gang with blank compartment, provision for Square D type "QO" 3 x 100 A 2 pole 10 kA rated circuit breakers						
<b>C014</b>	Overhead	4 gang, provision for Siemens 4 x Q2100 100 A 2 pole 10 kA rated circuit breakers	4	33-1/8	60	27.21		
<b>C014-100</b>	Overhead	4 gang, c/w Siemens 4 x Q2100 100 A 2 pole 10 kA rated circuit breakers						
<b>C014-100HI</b>	Overhead	4 gang, c/w Siemens 4 x Q2100H 100 A 2 pole 22 kA rated circuit breakers						
<b>C014-100HI-U</b>	Underground	4 gang with blank compartment, c/w Siemens 4 x Q2100H 100 A 2 pole 22 kA rated circuit breakers						
<b>C014-SD</b>	Overhead	4 gang, provision for Square D type "QO" 4 x 100 A 2 pole 10 kA rated circuit breakers	4	33-1/8	60	27.21		
<b>C014-SD-U</b>	Underground	4 gang with blank compartment, provision for Square D type "QO" 4 x 100 A 2 pole 10 kA rated circuit breakers						

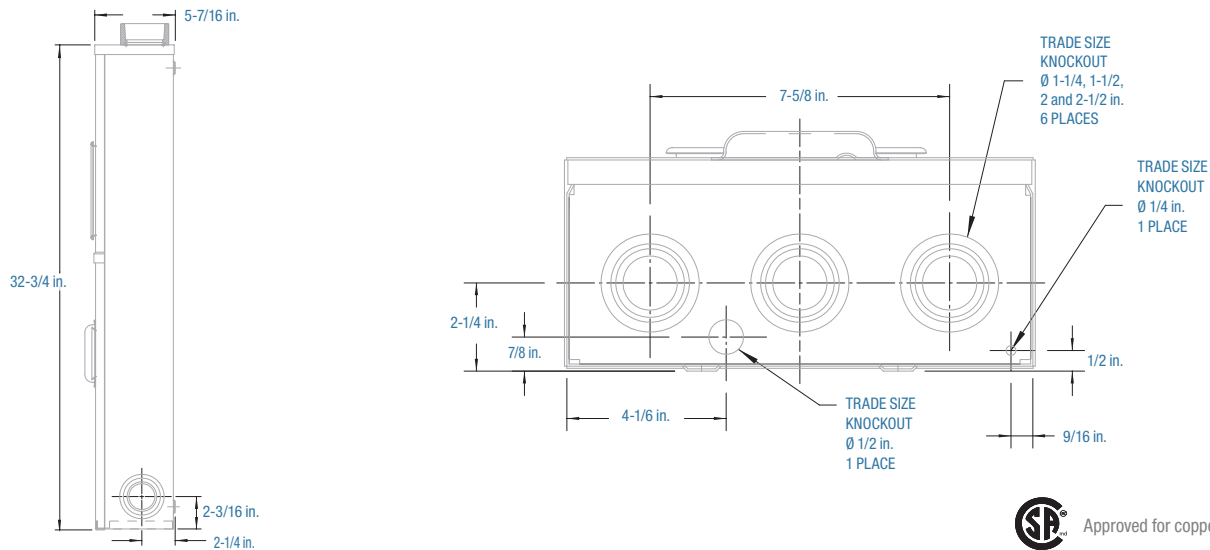
Note: For underground version, add suffix -U.

Combination with or without Breaker;  
200 A, 120/240 V Max.



## Product Specifications

- Conductor range (Line and Load): 1 AWG-250 kcmil
- Aluminum tunnel type connectors for both load and line sides
- For overhead and underground services
- Suitable for 120/240 V single phase service entrance for mobile homes, trailers, temporary services, recreational parks and other commercial and residential locations
- Factory installed 2 pole circuit breaker, 10,000 A rms interrupting capacity
- Adjustable bracket now available for field installation to accept Cutler Hammer (ED, EDH) breakers, cat. no. C03417M-1-FG
- “QJ” Type Siemens breaker
- Supplied with screw type rings
- Weatherproof Type 3R enclosure
- Primarily used: All Provinces  
Quebec only: As per Hydro-Québec spec (supplied with 22 kA Siemens breaker)



Approved for copper or aluminum

Cat. No.	Type	Description	Dimensions (in.)			Weight Each	
			H	W	D	lb.	kg
<b>4 JAW</b>							
<b>C02</b>	Overhead	Provision for Siemens (QJ), 200 A 2 pole 10 kA rated circuit breaker	32-3/4	11-13/16	5-7/16	15	12.7
<b>C02-125</b>	Overhead	c/w Siemens QJ 125 A 2 pole 10 kA rated circuit breaker					
<b>C02-125-5V</b>	Overhead	c/w Siemens QJ 125 A 2 pole 10 kA rated circuit breaker, c/w 5 <sup>th</sup> jaw					
<b>C02-125HI</b>	Overhead	c/w Siemens QJH 125 A 2 pole 22 kA rated circuit breaker					
<b>C02-150</b>	Overhead	c/w Siemens QJ 150 A 2 pole 10 kA rated circuit breaker					
<b>C02-150-5V</b>	Overhead	c/w Siemens QJ 150 A 2 pole 10 kA rated circuit breaker, c/w 5 <sup>th</sup> jaw					
<b>C02-150HI</b>	Overhead	c/w Siemens QJH 150 A 2 pole 22 kA rated circuit breaker					
<b>C02-200</b>	Overhead	c/w Siemens QJ 200 A 2 pole 10 kA rated circuit breaker					
<b>C02-200-5V</b>	Overhead	c/w Siemens QJ 200 A 2 pole 10 kA rated circuit breaker, c/w 5 <sup>th</sup> jaw					
<b>C02-200HI</b>	Overhead	c/w Siemens QJH 200 A 2 pole 22 kA rated circuit breaker					
<b>C02-200G</b>	Underground	c/w Siemens QJ 200 A 2 pole 10 kA rated circuit breaker, c/w gutter				32.6	14.6
<b>C02-200GM</b>	Underground	c/w Siemens QJ 200 A 2 pole 10 kA rated circuit breaker and adjustable bracket, c/w gutter				30	13.6
<b>C02-G</b>	Underground	Provision for Siemens (QJ), 200 A 2 pole 10 kA rated circuit breaker, c/w gutter					
<b>C02-GMB</b>	Underground	Atco, Alberta; provision for Siemens (QJ), Cutler Hammer (ED, EDH), 200 A 2 pole 10 kA rated circuit breaker, c/w pole mount kit, 2 x 3306 connectors, c/w gutter				28	12.7



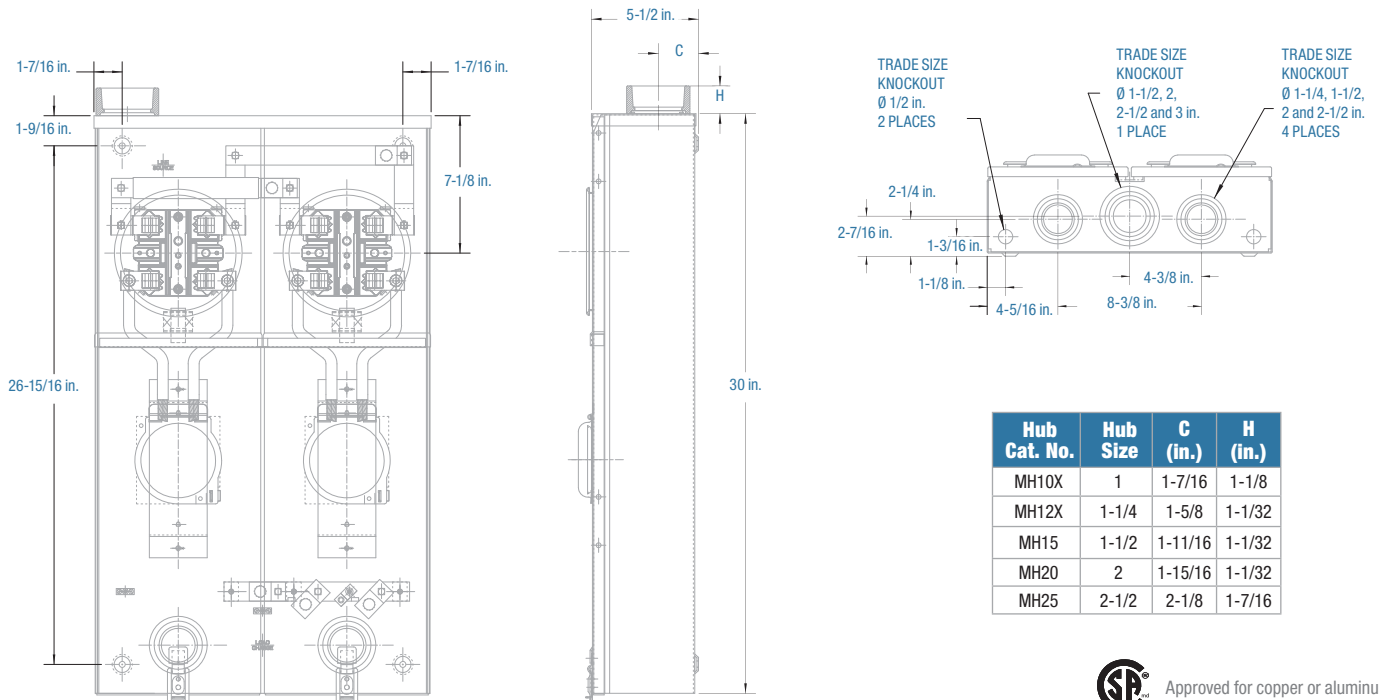
# Series C022

Multiple Position Combination with or without Breaker;  
200 A (Main Lugs), 200 A per Position,  
Single Phase 120/240 V Max.

## Product Specifications

- Conductor range: Line: 6 AWG-250 kcmil, Load: 6 AWG-250 kcmil
- Aluminum tunnel type connectors for both load and line sides
- For overhead and underground services
- Factory pre-bussed from main lugs to each position
- Supplied with hub opening closure plate for underground service
- Internal locking system for covers
- Supplied with screw type sealing rings
- Factory installed 2 pole circuit breaker, 10,000 A rms interrupting capacity
- Siemens Type "QJ" breaker
- Weatherproof Type 3R enclosure
- Primarily used: All Provinces  
Quebec only: As per Hydro Québec spec (supplied with 22 kA Siemens breaker)

Consult your Regional Sales Office for right-hand entry option.



Hub Cat. No.	Hub Size	C (in.)	H (in.)
MH10X	1	1-7/16	1-1/8
MH12X	1-1/4	1-5/8	1-1/32
MH15	1-1/2	1-11/16	1-1/32
MH20	2	1-15/16	1-1/32
MH25	2-1/2	2-1/8	1-7/16

Approved for copper or aluminum

Cat. No.	Type	Description	Position	Dimensions (in.)			Weight Each	
				H	W	D	lb.	kg
<b>Left-Hand Entry</b>								
C022	Combination OH/UG*	2 gang, provision for Siemens 2 x (QJ), 200 A 2 pole 10 kA rated circuit breakers	2	30	17-3/4	5-1/2	40	18.14
C022-200		2 gang, c/w Siemens 2 x QJ 200 A 2 pole 10 kA rated circuit breakers						
C022-200HI		2 gang with blank compartment, c/w Siemens 2 x QJH 200 A 2 pole 22 kA rated circuit breakers	3		26-1/4	60	27.21	
C023		3 gang, provision for Siemens 3 x (QJ), 200 A 2 pole 10 kA rated circuit breakers						
C023-200		3 gang, c/w Siemens 3 x QJ 200 A 2 pole 10 kA rated circuit breakers	4		26-1/2	60	27.21	
C023-200HI		3 gang with blank compartment, c/w Siemens 3 x QJH 200 A 2 pole 22 kA rated circuit breakers						
C024		4 gang, provision for Siemens 4 x (QJ), 200 A 2 pole 10 kA rated circuit breakers	4		35	80	36.29	
C024-200		4 gang, c/w Siemens 4 x QJ 200 A 2 pole 10 kA rated circuit breakers			35-1/4	80	36.28	
C024-200HI		4 gang with blank compartment, c/w Siemens 4 x QJH 200 A 2 pole 22 kA rated circuit breakers			43-3/4	100	45.36	

Note: Ex. C022-XXX, suffix (XXX) can be replaced by any of the following breaker amperage options: 100, 125 or 150.  
Consult your Regional Sales Office for price and availability.

\*Only allowed for underground use if local utility authority does not require a blank compartment. If blank compartment is required, recommend C022-U.

# Series C022-U

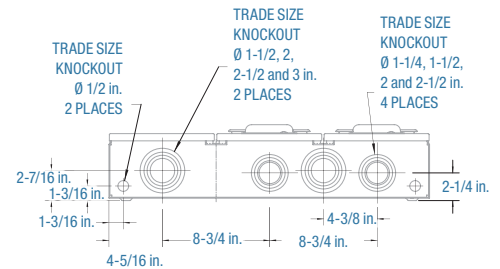
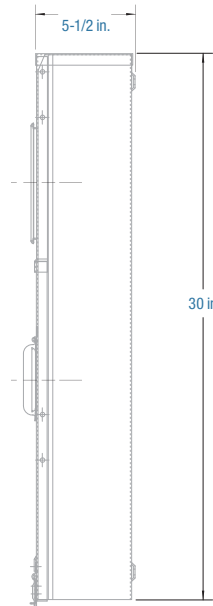
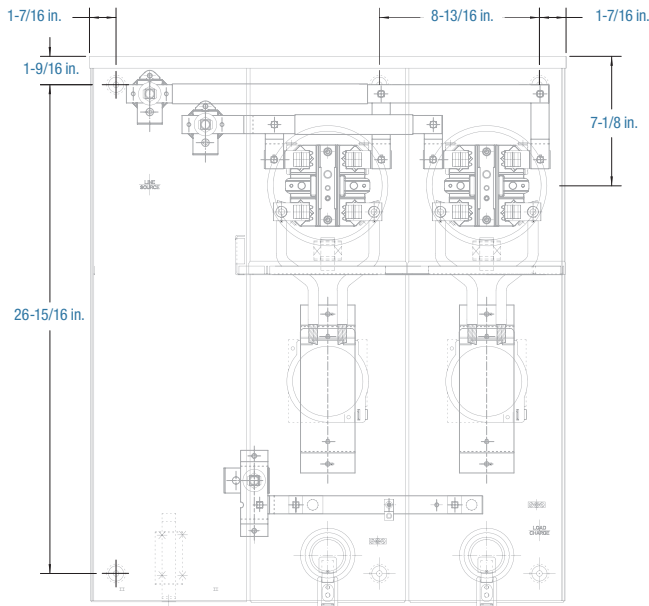


Multiple Position Combination with Compartment, with or without Breaker; 200 A (Main Lugs), 200 A per Position, Single Phase 120/240 V Max.

## Product Specifications

- Conductor range: Line: Single 1/2 in. stud to accommodate compression lugs (supplied by utility), Load: 6 AWG-250 kcmil
- Aluminum tunnel type connectors for load sides
- For underground service only
- Factory pre-bussed from main lugs to each position
- Internal locking system for covers
- Supplied with screw type sealing rings
- Factory installed 2 pole circuit breaker, 10,000 A rms interrupting capacity
- Siemens Type "QJ" breaker
- Weatherproof Type 3R enclosure
- Primarily used: All Provinces  
Quebec only: As per Hydro-Québec spec (supplied with 22 kA Siemens breaker)

Consult your Regional Sales Office for right-hand entry option.



Approved for copper or aluminum

Cat. No.	Type	Description	Position	Dimensions (in.)			Weight Each	
				H	W	D	lb.	kg
<b>Left-Hand Entry</b>								
<b>C022-U</b>	Underground only	2 gang with blank compartment, provision for Siemens 2 x (QJ), 200 A 2 pole 10 kA rated circuit breakers	2	26-1/4	35	5-1/2	60	27.21
<b>C022-200-U</b>		2 gang with blank compartment, c/w Siemens 2 x QJ 200 A 2 pole 10 kA rated circuit breakers						
<b>C022-200HI-U</b>		2 gang with blank compartment, c/w Siemens 2 x QJH 200 A 2 pole 22 kA rated circuit breakers						
<b>C023-U</b>		3 gang with blank compartment, provision for Siemens 3 x (QJ), 200 A 2 pole 10 kA rated circuit breakers	3	30	35	5-1/2	80	36.29
<b>C023-200-U</b>		3 gang with blank compartment, c/w Siemens 3 x QJ 200 A 2 pole 10 kA rated circuit breakers						
<b>C023-200HI-U</b>		3 gang with blank compartment, c/w Siemens 3 x QJH 200 A 2 pole 22 kA rated circuit breakers						
<b>C024-U</b>		4 gang with blank compartment, provision for Siemens 4 x (QJ), 200 A 2 pole 10 kA rated circuit breakers	4	43-3/4			100	45.36
<b>C024-200-U</b>		4 gang with blank compartment, c/w Siemens 4 x QJ 200 A 2 pole 10 kA rated circuit breakers						
<b>C024-200HI-U</b>	4 gang with blank compartment, c/w Siemens 4 x QJH 200 A 2 pole 22 kA rated circuit breakers							

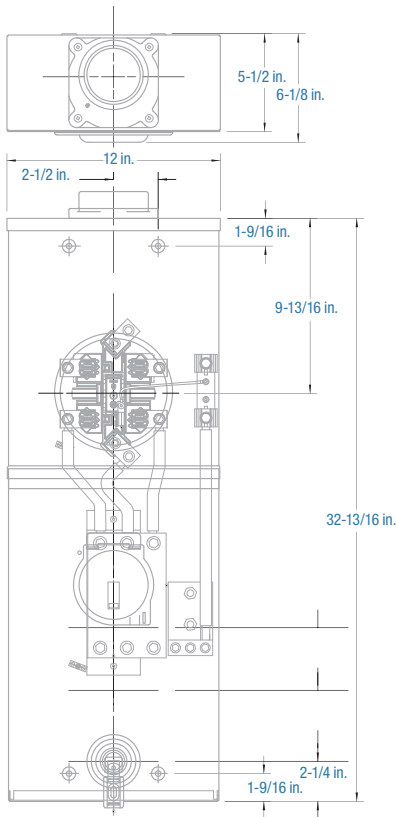
Note: Ex. C022-XXX, suffix (XXX) can be replaced by any of the following breaker amperage options: 100, 125 or 150. Consult your Regional Sales Office for price and availability.

# Series C027

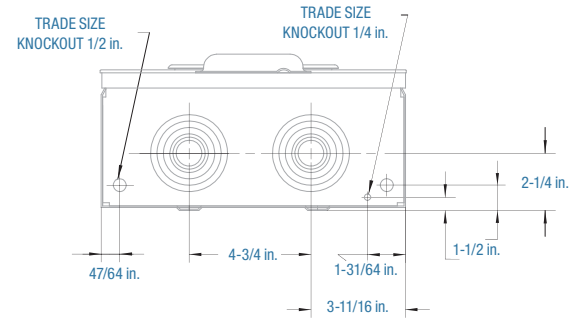
Combination Polyphase with Breaker;  
200 A, 120/208 V Max.

## Product Specifications

- Conductor range (Line and Load): 2 AWG-250 kcmil
- Aluminum tunnel type connectors
- Suitable for 120/208 V polyphase service entrance
- For overhead installation
- Larger hub opening requires use of 3 in., 3-1/2 in. or 4 in. hubs unless BS052 adaptor plate is used
- Factory installed 3 pole circuit breaker, 10,000 A rms interrupting capacity
- “QJ” Type Siemens 10 kA breaker
- Weatherproof Type 3R enclosure
- Supplied with screw type rings
- Primarily used: All Provinces



1, 1-1/4, 1-1/2, 2, 2-1/2, 3 in.  
3 SETS



Hub Cat. No.	Hub Size	A (in.)
MH30	3	2-5/16
MH35	3-1/2	2-3/4
MH40	4	2-3/4



Approved for copper or aluminum

Cat. No.	Type	Description	Dimensions (in.)			Weight Each	
			H	W	D	lb.	kg
<b>Left-Hand Entry c/w Breaker</b>							
C027B-100	Overhead	c/w Siemens QJ 100 A 3 pole 10 kA rated circuit breaker	32-3/4	11-13/16	5-7/16	30	13.6
C027B-150		c/w Siemens QJ 150 A 3 pole 10 kA rated circuit breaker					
C027B-200		c/w Siemens QJ 200 A 3 pole 10 kA rated circuit breaker					

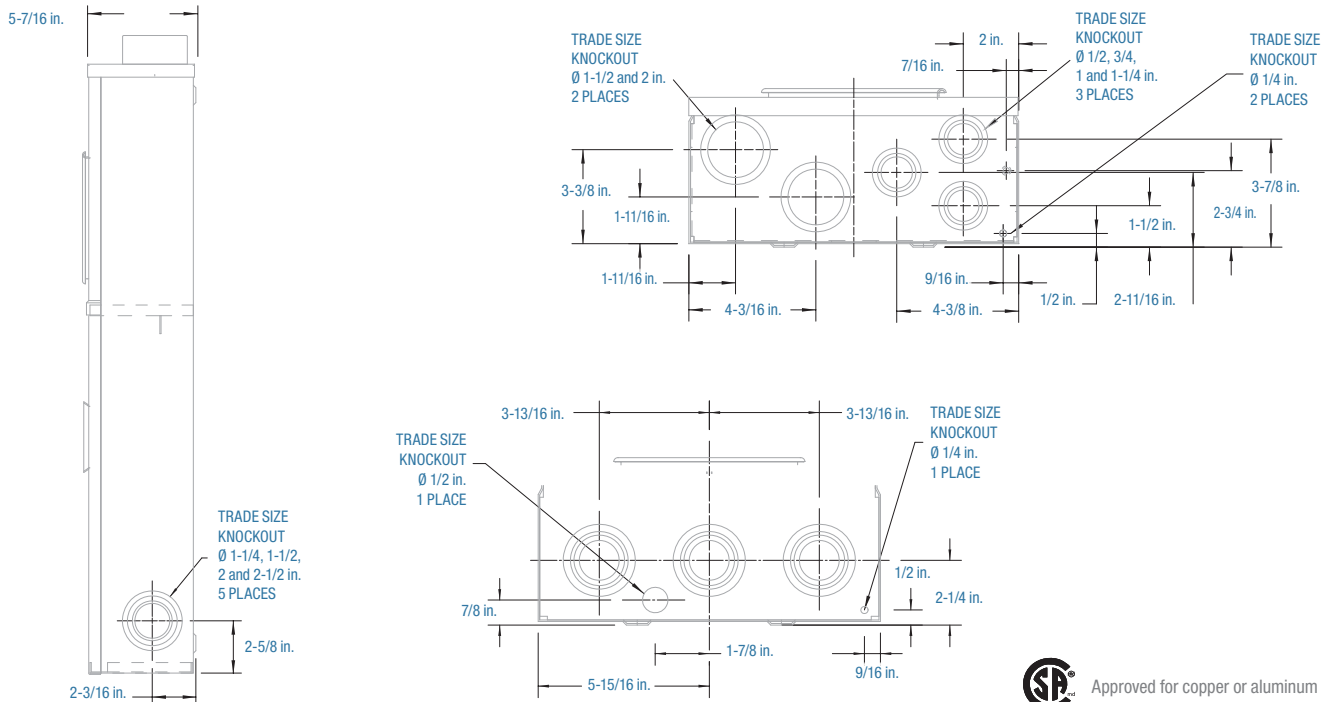
# Series CO2M

Combination with or without Breaker and Splitter;  
200 A, Single Phase 120/240 V



## Product Specifications

- Conductor range (Line and Load): 6 AWG-250 kcmil
- Tunnel type connectors for both load and line sides
- For combination overhead/underground service only
- Cutler Hammer (ED, EDH) breaker to be field-installed
- With CO2FB braid connector (also available for field installation cat. no.: CO2FB-KIT)
- Primarily used: Alberta



Approved for copper or aluminum

Cat. No.	Type	Description	Dimensions (in.)			Weight Each	
			H	W	D	lb.	kg
<b>4 JAW</b>							
CO2M	Combination OH/UG	Provision for field-installed Cutler Hammer (ED, EDH) 200 A 2 pole 10 kA rated circuit breaker, provision for pole mounting (splitter not included)	30-5/8	12	5-7/16	28	12.7
CO2MS		Provision for field-installed Cutler Hammer (ED, EDH) 200 A 2 pole 10 kA rated circuit breaker, provision for pole mounting (splitter included)	39-3/8			42	19
CO2MS-1 1/4		Provision for field-installed Cutler Hammer (ED, EDH) 200 A 2 pole 10 kA rated circuit breaker, provision for pole mounting, c/w 1-1/4 hub (splitter included)				44	19.5
CO2MS-2446		Provision for field-installed Cutler Hammer (ED, EDH) 200 A 2 pole 10 kA rated circuit breaker, provision for pole mounting, c/w 2446 connector (splitter included), Fortis Alberta approved				47	21.3
CO2MSB-200		Provision for field-installed Cutler Hammer (ED, EDH) 200 A 2 pole 10 kA rated circuit breaker, c/w Siemens QJ 200 A 2 pole 10 kA rated circuit breaker, c/w neutral bar (splitter included)				59	26.8
CO2MSU	Underground	Provision for field-installed Cutler Hammer (ED, EDH) 200 A 2 pole 10 kA rated circuit breaker, pedestal type for padmount applications (splitter included)	60				

Note: Mounting brackets are now shipped unassembled inside each unit where applicable.

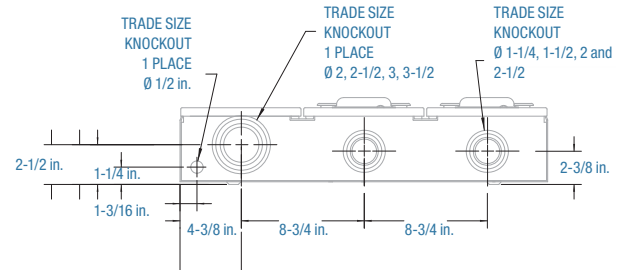
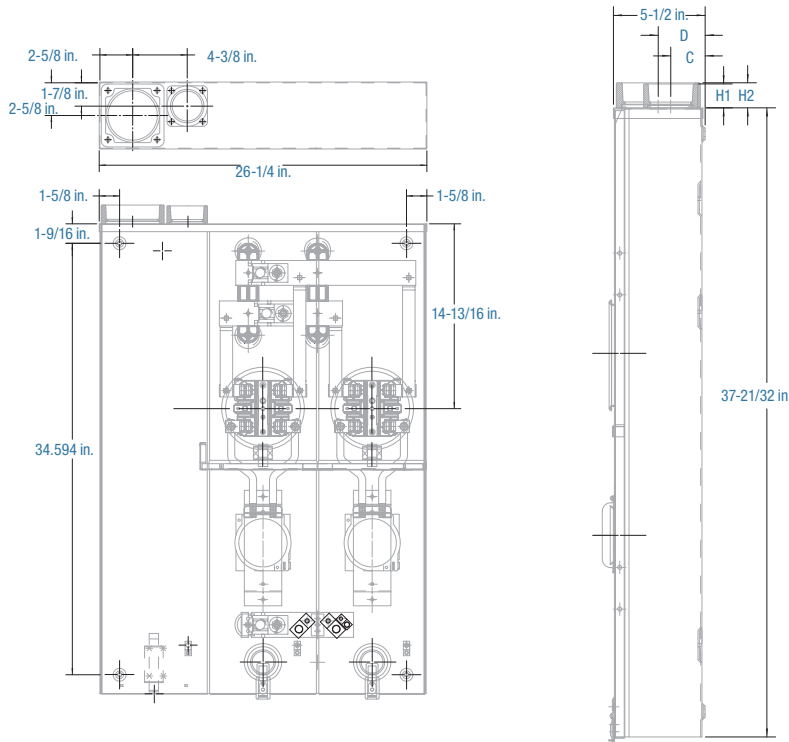
# Series C042

Multiple Position Combination with Compartment, with or without Breaker; 400 A (Main Lugs), 200 A per Position, Single Phase 120/240 V Max.

## Product Specifications

- Conductor range: Line: Dual rated connectors for 1 x 4 AWG-600 kcmil or 2 x 1/0 AWG-250 kcmil, Load: 6 AWG-250 kcmil
- Aluminum tunnel type connectors for both load and line sides
- Combination overhead/underground
- Factory pre-bussed from main lugs to each position
- Supplied with hub opening closure plate for underground service
- Internal locking system for covers
- Larger hub opening requires use of 3 in., 3-1/2 in., or 4 in. hubs unless BS052 adaptor plate is used
- Supplied with screw type rings
- Factory installed 2 pole circuit breaker, 10,000 A rms interrupting capacity
- Siemens Type "QJ" breaker
- Weatherproof Type 3R enclosure
- Primarily used: All Provinces  
Quebec only: As per Hydro-Québec spec (supplied with 22 kA Siemens breaker)

Consult your Regional Sales Office for right-hand entry option.



Hub Cat. No.	Hub Size	C (in.)	D (in.)	H1 (in.)	H2 (in.)
MH10X	1	1-7/16	N/A	1-1/8	N/A
MH12X	1-1/4	1-5/8	N/A	1-1/32	N/A
MH15	1-1/2	1-11/16	N/A	1-1/32	N/A
MH20	2	1-15/16	N/A	1-1/32	N/A
MH25	2-1/2	2-1/8	N/A	1-7/16	N/A
MH30	3	N/A	2-7/16	N/A	1-1/2
MH35	3-1/2	N/A	2-7/8	N/A	1-1/2
MH40	4	N/A	2-7/8	N/A	1-1/2



Cat. No.	Type	Description	Position	Dimensions (in.)			Weight Each	
				H	W	D	lb.	kg
<b>Left-Hand Entry</b>								
C042	Combination OH/UG	2 gang with blank compartment, provision for Siemens 2 x (QJ), 200 A 2 pole 10 kA rated circuit breakers	2	26-1/4	5-1/2	75	39	
C042-200		2 gang with blank compartment, c/w Siemens 2 x QJ 200 A 2 pole 10 kA rated circuit breakers						
C042-200HI		2 gang with blank compartment, c/w Siemens 2 x QJH 200 A 2 pole 22 kA rated circuit breakers						
C043		3 gang with blank compartment, provision for Siemens 3 x (QJ), 200 A 2 pole 10 kA rated circuit breakers	3	37-1/2	39-3/8	100	36.29	
C043-200		3 gang with blank compartment, c/w Siemens 3 x QJ 200 A 2 pole 10 kA rated circuit breakers						
C043-200HI		3 gang with blank compartment, c/w Siemens 3 x QJH 200 A 2 pole 22 kA rated circuit breakers						
C044		4 gang with blank compartment, provision for Siemens 4 x (QJ), 200 A 2 pole 10 kA rated circuit breakers	4	43-1/2	125	56.70		
C044-200		4 gang with blank compartment, c/w Siemens 4 x QJ 200 A 2 pole 10 kA rated circuit breakers						
C044-200HI		4 gang with blank compartment, c/w Siemens 4 x QJH 200 A 2 pole 22 kA rated circuit breakers						

## Utility-driven solutions and products



### Hydro-Québec – **CT104-5SWLHQ**

- 20 A, 600 V max. transformer-rated meter socket
- Suitable for 120/240 V single-phase service entrance
- Units are prewired from base to test switch



### Fortis Alberta – **BS2-TCVFA** Lot-line meter socket

- 200 A, 120/240 V single-phase service
- Accepts conductors up to 350 kcmil on line side and 4/0 on load side
- For use in rural areas where distance from service entrance is a factor



### BC Hydro – **CT-L Series**

- 20 A, 600 V max. transformer-rated meter socket
- Lower test switch compartment cover is held securely in place by the upper cover and can be locked to restrict access
- Removable mounting bridge is provided for fastening test switch supplied by utility



### Newfoundland Power – **JS4B-EALNL**

- All-in-one current transformer-rated meter socket
- 400 A, 120/240 V single-phase service
- Equipped with test-switch and current transformer

Thomas & Betts is continuously expanding the Microelectric® product line in response to utility metering needs and works closely with utility personnel throughout the product development process. Here are some of the most recently launched utility-specific meter sockets and accessories:

### 400 A overhead service-entrance mast accessories

**KIT400MH** – Complete kit including:

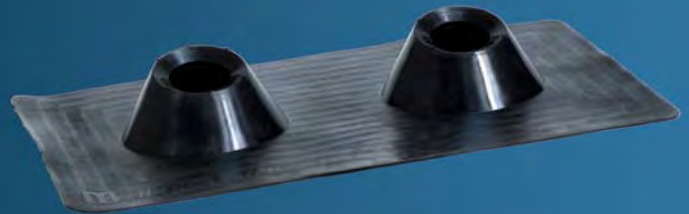
- **MM801** – Heavy-duty 400 A spool rack
- **CIEFA-4** – 4-inch entrance head
- **MM806N** – 4-inch neoprene roof flange
- **MH40** – 4-inch mast coupler



### Two-hole roof flange for parallel runs

**MM507DN**

- 2-1/2 inch, two-hole roof flange



### One-piece 2-1/2 inch mast coupler

**MC250**

- Join two masts to reach higher overhead service entrances



# Connect with Thomas & Betts' proven track record for superior quality and reliability.

## Known worldwide

With a portfolio of over 200,000 products sold under more than 45 premium brand names, Thomas & Betts products are sold wherever electricity is used.

Thomas & Betts is a trusted name with a proven track record for supplying high-quality electrical components for commercial, residential, industrial and utility applications.

For close to a century, Thomas & Betts has been a preferred supplier to Canadian industry.

Across Canada, Thomas & Betts has over 1,500 employees in eight manufacturing plants, five regional sales offices and a master distribution center, Canadian customers can rely on local sales and marketing, customer service and logistics support.

Over 80% of the Thomas & Betts products sold in Canada are manufactured in Canada.

## Invested in excellence

By developing a wide range of ever-evolving quality products and superior solutions customized to meet application-specific challenges, Thomas & Betts is invested and committed to helping engineers, contractors and end-users reduce costs while increasing performance and safety.

## Dedicated to sustainable operations

Sustainable development, with the objective of reducing our environmental footprint and improving the communities where we are present, is central to every business decision made at Thomas & Betts.

## Head Office – Canada

Thomas & Betts Limited  
700 Thomas Avenue  
Saint-Jean-sur-Richelieu, Quebec  
J2X 2M9

Tel.: (450) 347-5318

Fax: (450) 347-1976

## Sales

- Atlantic Provinces  
Tel.: (902) 450-1307  
Toll Free: 1-877-862-4357  
Fax: (902) 450-1309
- Quebec  
Tel.: (450) 466-1102  
Toll Free: 1-800-465-1399  
Fax: (450) 466-1163
- Ontario  
Tel.: (905) 635-7888  
Toll Free: 1-877-291-7771  
Fax: (905) 635-7889
- Manitoba/Saskatchewan  
Tel.: (604) 598-9811  
Toll Free: 1-866-540-8220  
Fax: (604) 598-9840
- Alberta  
Tel.: (780) 424-7092  
Toll Free: 1-888-664-5666  
Fax: (780) 424-7093  
Toll Free: 1-866-424-4082
- British Columbia  
Tel.: (604) 598-9811  
Toll Free: 1-866-540-8220  
Fax: (604) 598-9840

w w w . t n b . c a

Thomas & Betts. Your best connection for innovative solutions.

FSC  
Certifications