

# Carlton®

## PV-Mold Non-metallic Pole Riser System



**The old way**



**The Carlton® way**

The choice  
**IS YOURS!**

**Carlton® PV-Mold** is a non-metallic pole riser system designed to protect communication and power cable installed on poles.

### Features:

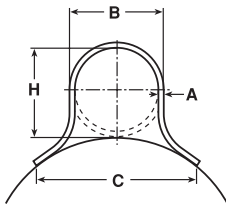
1. No grounding required
2. PV-Mold acts as an insulator against electrical shock
3. Schedule 40 wall meets Schedule 80 PVC cold impact requirements
4. Ultraviolet, cold temperature and corrosive atmosphere resistant
5. Belled end fits over each added section or conduit
6. Flame retardant
7. Requires no maintenance

**Thomas & Betts**

# PV-Mold – An Entire Pole Riser System

## Pole Riser

Flanged overall length 10 feet, including bell



Size	Depth of bell
1"	2 – 2-1/4"
1-1/2"	2 – 2-1/4"
2"	2 – 2-1/4"
3"	3 – 3-1/4"
4"	4 – 4-1/4"
5"	4 – 4-1/2"
6"	5 – 5-1/2"

Slots are 1/2" from side to side and allow for expansion and contraction.

Slots dimensions for sizes 2" through 6": 5/16" wide and 3/4" long.

Slot dimensions for 1" and 1-1/2": 3/16" wide and 3/4" long.

Slot spacing: 18" from center, beginning 6" from end.



### Standard Duty

Cat. No.	Size	Std. Ctn. Qty	Std. Ctn. Wt. (lb.)	Dimensions (in.)				Actual Impact at 0°C 20 lb. Tup
				A	B	C	H	
59208N	1"	294	1059	0.100	1-5/8	2-3/8	1-5/8	40 ft.-lb.
59211N	2"	136	726	0.100	2-3/8	4-1/2	2-3/8	100 ft.-lb.
59213N	3"	66	761	0.150	3-1/2	6	3-1/2	110 ft.-lb.
59215N	4"	65	910	0.150	4-1/2	6-1/2	4-1/2	110 ft.-lb.
59216N	5"	30	515	0.150	5-1/2	7-1/2	5-1/2	110 ft.-lb.

### Heavy Duty Schedule 40

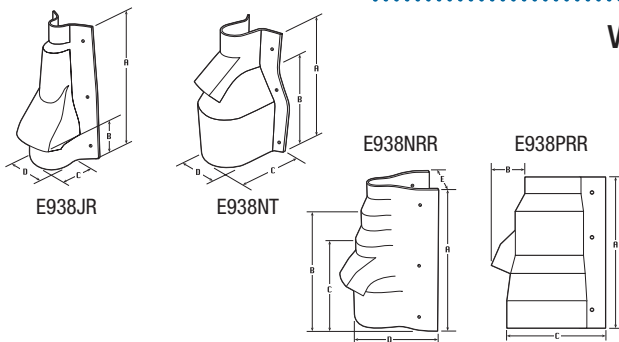
59010N	1-1/2"	200	1142	0.145	1-29/32	3-1/2	1-29/32	100 ft.-lb.
59011N	2"	136	1214	0.154	2-3/8	4-1/2	2-3/8	150 ft.-lb.
59013N	3"	66	937	0.216	3-1/2	6	3-9/32	150 ft.-lb.
59015N	4"	65	1621	0.237	4-1/2	6-1/2	4-1/2	260 ft.-lb.
59016N	5"	30	870	0.258	5-1/2	7-1/2	5-1/2	260 ft.-lb.
59017N	6"	30	1160	0.280	6-5/8	8-3/4	6-5/8	260 ft.-lb.

### Extra Heavy Duty Schedule 80

59411N	2"	136	1549	0.218	2-3/8	4-1/2	2-3/8	150 ft.-lb.
59413N	3"	66	1495	0.300	3-1/2	6	3-1/2	260 ft.-lb.

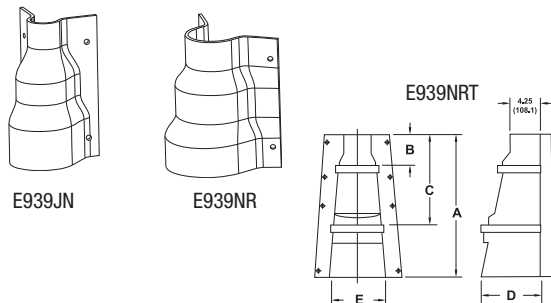
## Boots and Adapters

### Vented Boots



Cat. No.	Size	Std. Ctn. Qty	Std. Ctn. Wt. (lb.)	Dimensions (in.)				
				A	B	C	H	E
E938JR	2" x 6"	4	13.5	20.50	4.80	6.13	6.20	-
E938NT	4" x 8"	4	21.0	21.00	15.00	11.34	9.76	-
E938NRR	4" x 6"	6	26.4	20.87	16.57	12.87	11.68	11.43
E938PRR	5" x 6"	6	23.2	16.74	3.65	10.84	11.43	-

### Adapters



E939JN	2" x 4"	8	10.0	11.00	6.75	5.88	5.07	-
E939NR	4" x 6"	6	11.7	11.00	6.75	7.08	7.13	-
E939NRT	4" x 6"	3	14.0	19.75	4.25	12.50	8.50	7.40

#### - Atlantic Region

Thomas & Betts Limited  
106 Chain Lake Drive, Unit 2C  
Halifax, Nova Scotia B3S 1A8  
Tel.: (902) 450-1307  
Toll Free: 1-877-862-4357  
Fax: (902) 450-1309

#### - Quebec Region

Thomas & Betts Limited  
7900 Taschereau Boulevard  
Building D, Suite 108  
Brossard, Quebec J4X 1C2  
Tel.: (450) 466-1102  
Toll Free: 1-800-465-1399  
Fax: (450) 466-1163

#### - Ontario Region

Thomas & Betts Limited  
2000 Argentia Road  
Plaza 5, Suite 500  
Mississauga, Ontario L5N 2R7  
Tel.: (905) 858-1010  
Toll Free: 1-877-291-7771  
Fax: (905) 858-1080

#### - Western Region

Thomas & Betts Limited  
6531-148<sup>th</sup> Street, #1  
Surrey, British Columbia  
V3S 3C5  
Tel.: (604) 598-9811  
Toll Free: 1-866-540-8220  
Fax: (604) 598-9840

Thomas & Betts Limited  
4836 Eleniak Road  
Edmonton, Alberta T6B 2S1  
Tel.: (780) 424-7092  
Toll Free: 1-888-664-5666  
Fax: (780) 424-7093  
Toll Free: 1-866-424-4082