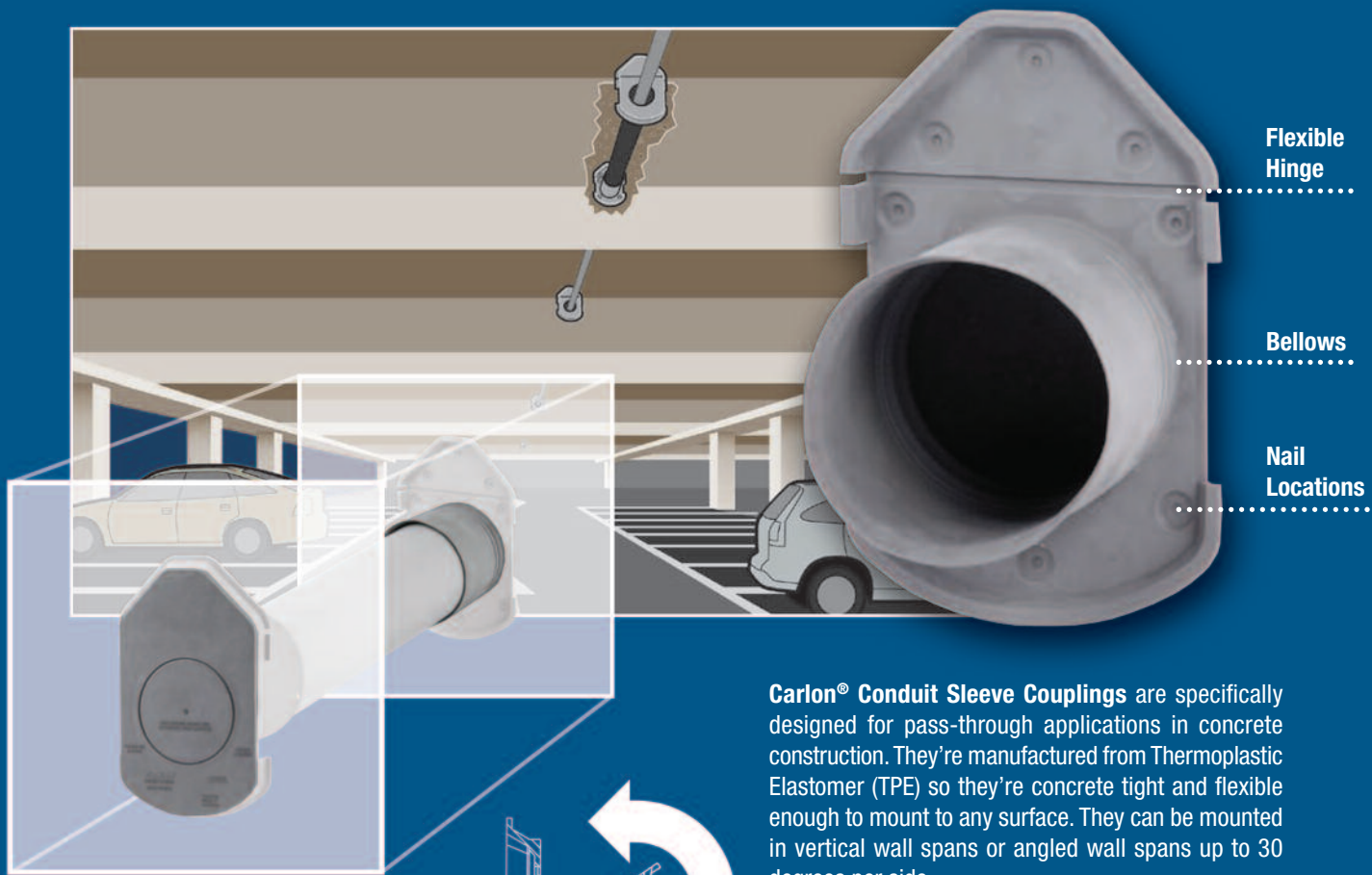


Carlton®

Conduit Sleeve Couplings

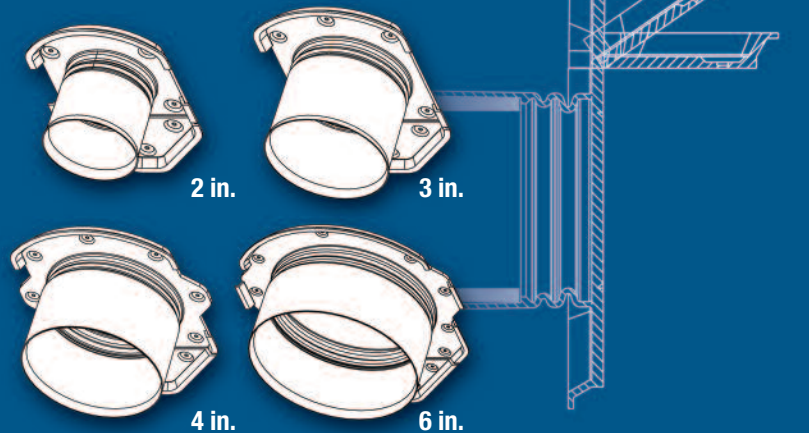
Pass-through for concrete walls, columns and posts.



Carlton® Conduit Sleeve Couplings are specifically designed for pass-through applications in concrete construction. They're manufactured from Thermoplastic Elastomer (TPE) so they're concrete tight and flexible enough to mount to any surface. They can be mounted in vertical wall spans or angled wall spans up to 30 degrees per side.

Carlton® Conduit Sleeve Couplings are fast and easy to install and can be immediately accessed or left dark until needed. They eliminate the need for duct tape, clamps and special mounting means while providing superior aesthetics by blending into the concrete.

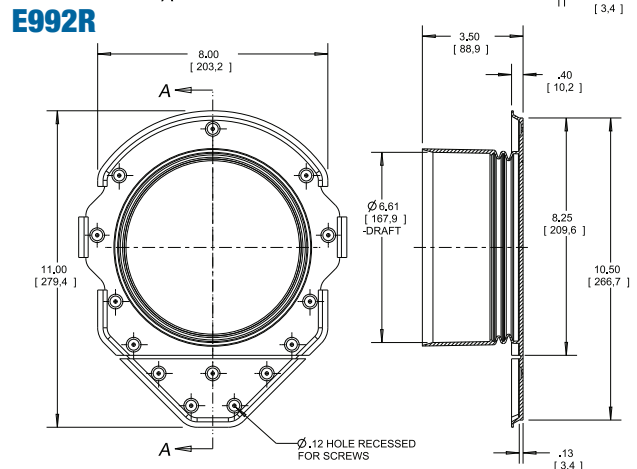
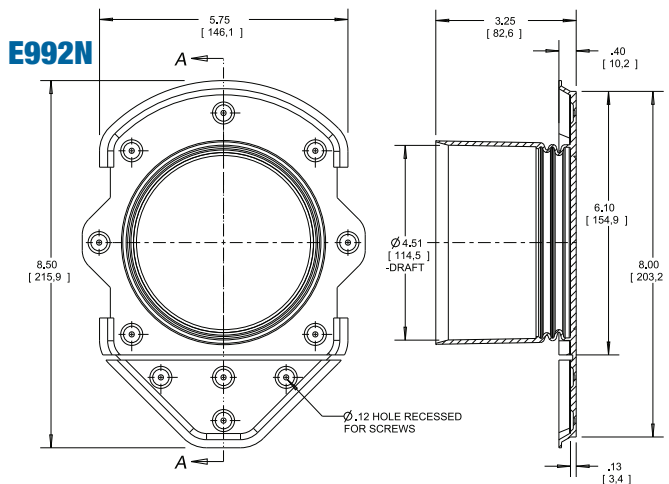
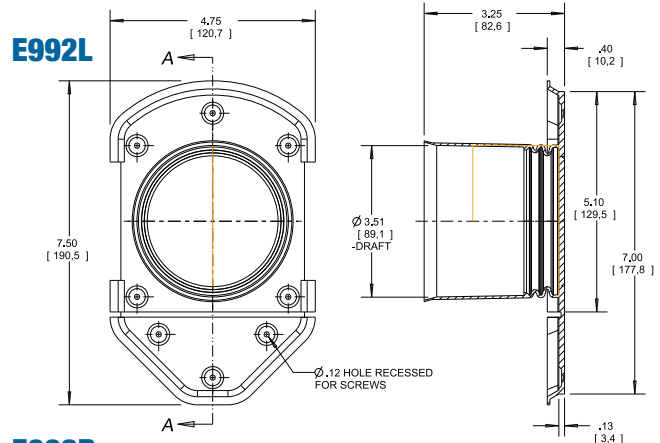
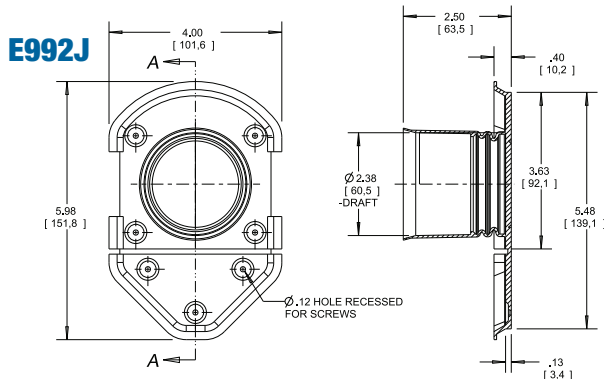
Applications – Concrete walls, columns and posts.



Features

- EXCLUSIVE
- Manufactured from TPE, concrete tight
- Flexible hinge provides alignment of pass-through with ceiling
- Bellows – mounts to vertical walls and angled walls up to 30°
- Quick and easy installation
- Eliminates the use of duct tape and clamps

- Manufactured to IPS dimensions for use with most conduit types
- Superior aesthetics (blends in to the concrete)
- Trade sizes: 2", 3", 4" and 6"
- Future-proofs the structure. Pass-through remains dark and protected until needed
- Note: Firestop (where needed) and conduit NOT INCLUDED



Specifications

Part No.	Size	Std. Ctn. Qty	Std. Ctn Wt. (lb.)
E992J	2"	84	13.0
E992L	3"	30	8.3
E992N	4"	22	8.6
E992R	6"	18	13.0

- Atlantic Region

Thomas & Betts Limited
 106 Chain Lake Drive, Unit 2C
 Halifax, Nova Scotia B3S 1A8
 Tel.: (902) 450-1307
 Toll Free: 1-877-862-4357
 Fax: (902) 450-1309

- Quebec Region

Thomas & Betts Limited
 7900 Taschereau Boulevard
 Building D, Suite 108
 Brossard, Quebec J4X 1C2
 Tel.: (450) 466-1102
 Toll Free: 1-800-465-1399
 Fax: (450) 466-1163

- Ontario Region

Thomas & Betts Limited
 2000 Argentia Road
 Plaza 5, Suite 500
 Mississauga, Ontario L5N 2R7
 Tel.: (905) 858-1010
 Toll Free: 1-877-291-7771
 Fax: (905) 858-1080

- Western Region

Thomas & Betts Limited
 6531-148th Street, #1
 Surrey, British Columbia
 V3S 3C5
 Tel.: (604) 598-9811
 Toll Free: 1-866-540-8220
 Fax: (604) 598-9840

Thomas & Betts Limited
 4836 Eleniak Road
 Edmonton, Alberta T6B 2S1
 Tel.: (780) 424-7092
 Toll Free: 1-888-664-5666
 Fax: (780) 424-7093
 Toll Free: 1-866-424-4082