

Hazlux



M5/5

Class I — Division 1, Groups C and D
— Zone 2, Groups IIC, IIB, IIA,
— Division 2, Groups A, B, C and D
Class II — Division 1 and 2, Groups E, F and G



•UL Listed (UL1598) for Marine Locations
•NEMA 4X, IP66

Hazlux® **M5** and Hazlux® **5** fixtures are certified for use in Class I, Division 1 and Zone 2 hazardous locations - the most severe hazardous locations and adverse environments. In addition to meeting these strength, heat and electrical criteria, these fixtures are designed and tested for the unusually harsh conditions present in the Canadian workplace including rain, wind, salt, air and dust.

Hazlux® M5

- Compact, low profile design – highly cost efficient for areas where space or fixture weight is restricted
- Easy to install – electromechanical connection block, self-aligning refractors and prewired ballast
- Unipak™ option provides factory assembled, pre-lamped fixtures – proven installation savings of 1/2 hour per fixture
- Light sources – HID metal halide and high pressure sodium; fluorescent and incandescent
- Superior thermal design for use in elevated temperature environments also provides cooler operating performance at normal ambient temperatures
- Self-aligning high efficiency fluted glass globes and computer-designed fiberglass-reinforced polyester reflectors provide superior photometrics

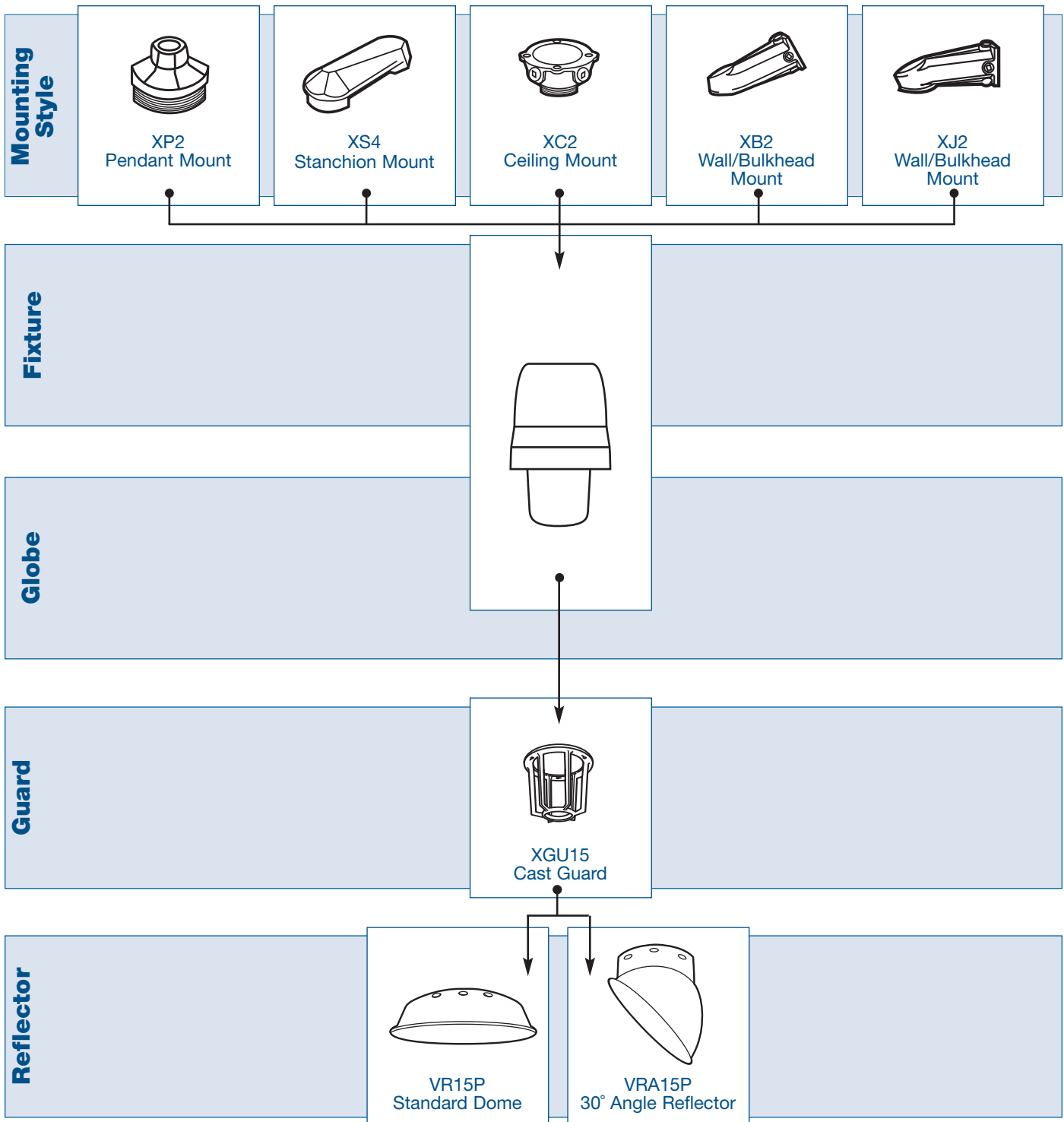
Hazlux® 5

- Hose-down tested to allow easy removal of chemicals and residue that collect on fixtures
- 40°C ambient certified and listed
- High ambient temperature fixtures available (55°C and 65°C)
- High strength mechanical mountings to withstand ice and strong wind loads
- Heat tempered glass for greater strength and thermal shock resistance
- Instant restart available to prevent unnecessary downtime due to minor power outages (HPS only)
- Auxiliary quartz lamp available to provide temporary lighting after power outages



Hazlux

Hazlux M5 Fixture Assembly Sample



M5



Class I — Division 1, Groups C and D
 — Zone 2, Groups IIC, IIB, IIA,
 — Division 2, Groups A, B, C and D
 Class II — Division 1 and 2, Groups E, F and G



•UL Listed (UL1598) for Marine Locations
 •NEMA 4X, IP66

Hazlux M5 Catalogue Numbering System

High Pressure Sodium									
X	S	M	35	P	120	- G -	C2	E	C
1	2	3	4	5	6	7	8	10	11
Incandescent Only									
X	I	M	10	P	120	- G -	C2	E	C
1	2	3	4	5	6	7	8	10	11
Fluorescent Only									
X	F	B	18	P	12	- G -	C2	E	C
1	2	3	4	5	6	7	8	10	11

- 1** — **Fixture Series**
X = Hazlux® M5 Fixture
- 2** — **Lamp Type**
S = High Pressure Sodium
F = Fluorescent
I = Incandescent
- 3** — **Lampholder Type**
M = Medium Base Lampholder
B = Bi Pin Type (Fluorescent)
- 4** — **Lamp Wattage**
09 = 9 watt (Fluorescent)
13 = 13 watt (Fluorescent)
18 = 18 watt (Fluorescent)
26 = 26 watt (Fluorescent)
100 = 100 watt (Incandescent)
150 = 150 watt (Incandescent)
03 = 35 watt (HPS)
05 = 50 watt (HPS)
07 = 70 watt (HPS)
10 = 100 watt (HPS)
15 = 150 watt (HPS)
- 5** — **Ballast Circuit**
P = Reactor Type (HPS and Fluorescent)

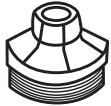
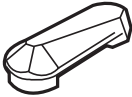
- 6** — **Voltage**
120 = 120 Volt
- 7** — **Optics and Guards**
G = Cast Guard
(Omit "G" if Guard is Not Required)
- 8** — **Mounting Style**
P2 = 3/4 in. Rigid Pendant
P3 = 1 in. Rigid Pendant
C2 = 3/4 in. Ceiling
C3 = 1 in. Ceiling
B2 = 3/4 in. Wall
B3 = 1 in. Wall
J2 = 3/4 in. Bulkhead
J3 = 1 in. Bulkhead
S4 = 1-1/4 in. Stanchion
S5 = 1-1/2 in. Stanchion
- 9** — **Special Options**
T = HAZ-COTE™ Custom Corrosion Coating
on all Aluminum Parts (Consult Factory)
- 10** — **Hazpak Options**
D = Hazpak with Diffuse Coated Lamp
E = Hazpak with Clear Lamp
- 11** — **CSA Certification**
C = CSA Nameplate

Note: Verify hazardous location certification with your requirements on Hazlux Certification Guide general information on page 79.




Hazlux

Hazlux M5 Accessories

OUTLET BOXES – Designed for all Hazlux M5 Ballasts Housings.

MOUNTING STYLE	CATALOGUE NO.	CONDUIT HUB SIZE	STD. PKG.
 Pendant Mount	XP2	3/4"	1
	XP3	1"	1
 Stanchion Mount	XS4	1-1/4"	1
	XS5	1-1/2"	1

OUTLET BOXES – Designed for all Hazlux M5 Ballasts Housings.

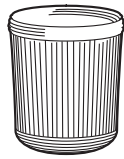
MOUNTING STYLE	CATALOGUE NO.	CONDUIT HUB SIZE	STD. PKG.
 Ceiling Mount	XC2	3/4"	1
	XC3	1"	1
 Wall Mount	XB2	3/4"	1
	XB3	1"	1
 Bulkhead Mount	XJ2	3/4"	1
	XJ3	1"	1

Outlet Boxes include Female Electrical connectors and appropriate Close-Up Plugs.

GUARDS

	CATALOGUE NO.	DESCRIPTION
	XGU15	Cast Aluminum, Powder Finish

REPLACEMENT GLOBE ASSEMBLIES

	CATALOGUE NO.	DESCRIPTION
	XGSA15	Hazlux M5 replacement globe assembly 35-150 watts

REFLECTORS

	CATALOGUE NO.	DESCRIPTION
	VR15P	Standard Dome Fiber Glass Reinforced Polyester
	VRA15P	30° Angle Reflector Fiberglass Reinforced Polyester

M5

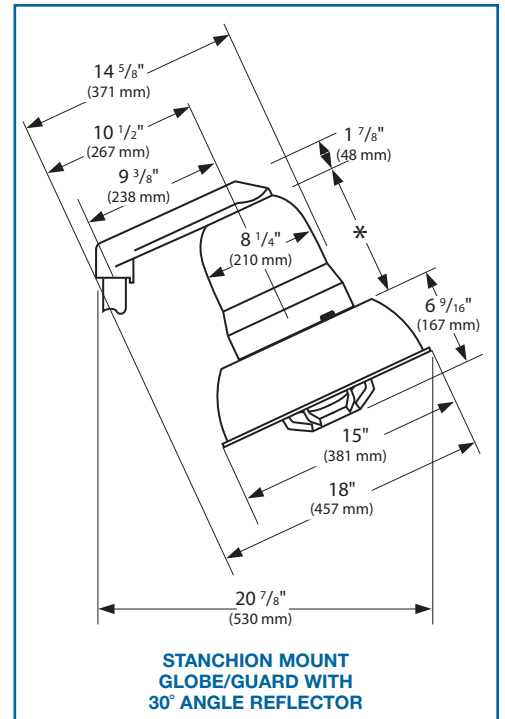
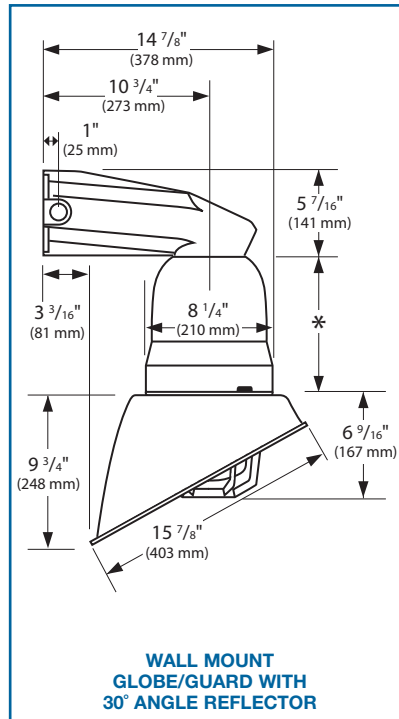
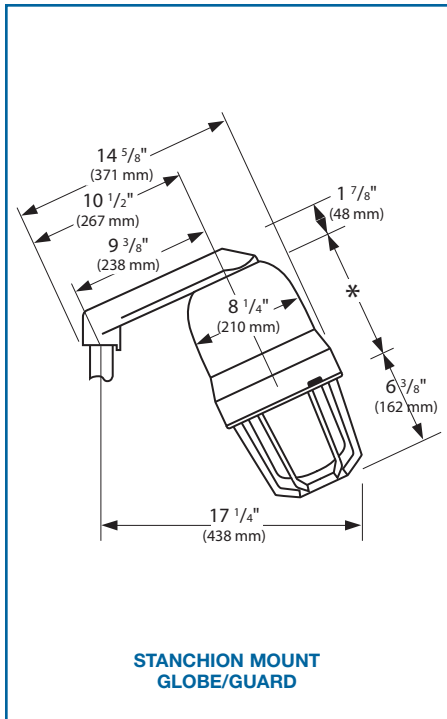
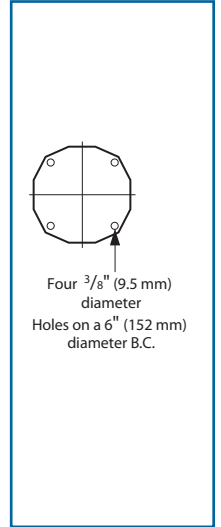
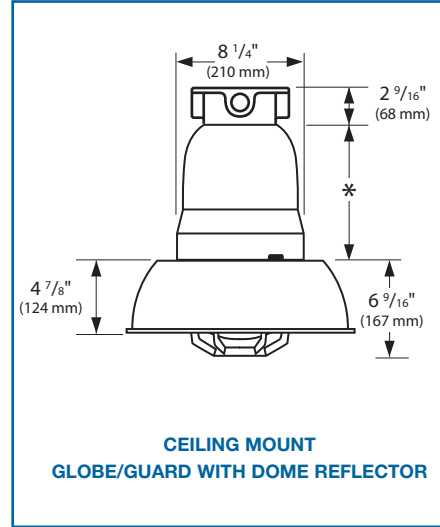
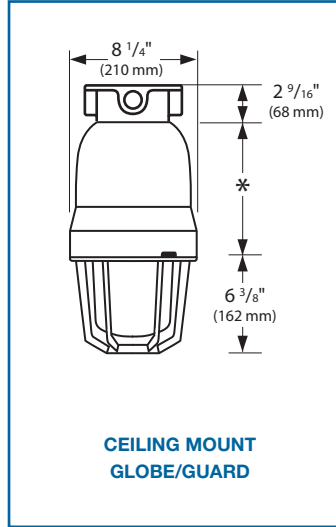
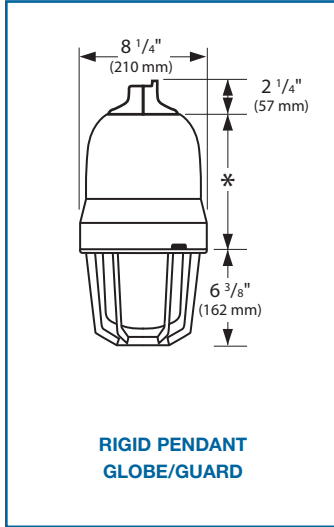


- Class I — Division 1, Groups C and D
- Zone 2, Groups IIC, IIB, IIA,
- Division 2, Groups A, B, C and D
- Class II — Division 1 and 2, Groups E, F and G



- UL Listed (UL1598) for Marine Locations
- NEMA 4X, IP66

Hazlux M5 Dimensions



* Tank Dim: HPS 9" / 229 mm, Incandescent and Fluorescent 5 11/16" / 144 mm

HazFlash



The **HazFlash® M5** strobe lighting fixture is an enclosed and gasketed fixture that is suitable for use in marine and wet locations as well as in a wide range of industrial facilities.

Available in a choice of five lens colours with a flash rate of 60 flashes per minute, the HazFlash® M5 is ideally suited for use as a warning of unsafe conditions in areas where noise prevents audible signals from being heard.

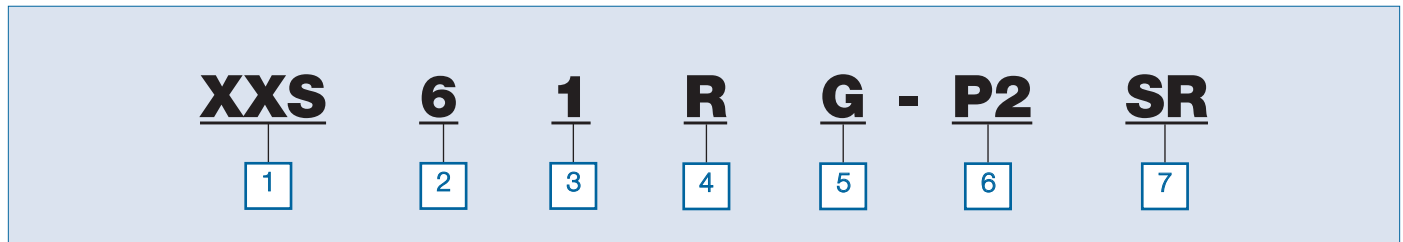


Class I — Division 1, Groups C and D
 — Zone 2, Groups IIC, IIB, IIA,
 — Division 2, Groups A, B, C and D
 Class II — Division 1 and 2, Groups E, F and G



•UL Listed (UL1598) for Marine Locations
 •NEMA 4X, IP66

HazFlash M5 Catalogue Numbering System



1 — **Fixture Series**
XXS = HazFlash™ M5 Xenon Strobe

2 — **Flash Rate**
6 = 60 Flashes per Minute

3 — **Voltage/Frequency**
1 = 120 Volts AC, 50/60 Hz (Standard)
2 = 240 Volts AC, 50/60 Hz
8 = 10 - 30 Volts DC
9 = 90 - 130 Volts DC

4 — **Lens Colour**
R = Red
B = Blue
C = Clear
G = Green
A = Amber

5 — **Optics and Guards**
G = Cast Guard
 (Omit "G" if guard is not required.)


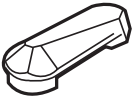
6 — **Mounting Style**
P2 = 3/4 in. Pendant Mount
P3 = 1 in. Pendant Mount
C2 = 3/4 in. Ceiling Mount
C3 = 1 in. Ceiling Mount
B2 = 3/4 in. Wall Mount with Box
B3 = 1 in. Wall Mount with Box
J2 = 3/4 in. Bulkhead Mount
J3 = 1 in. Bulkhead Mount
S4 = 1-1/4 in. Angle Stanchion Mount
S5 = 1-1/2 in. Angle Stanchion Mount

7 — **Options**
SR = Sealing Ring Kit for Inverted Mounting
 (Maintains Marine Listing in Globe Up Position)

Hazlux




HazFlash M5 Accessories

OUTLET BOXES – Designed for all Hazlux M5 Ballasts Housings.

MOUNTING STYLE	CATALOGUE NO.	CONDUIT HUB SIZE	STD. PKG.
Pendant Mount 	XP2	3/4"	1
	XP3	1"	1
Stanchion Mount 	XS4	1-1/4"	1
	XS5	1-1/2"	1

Outlet Boxes include Female Electrical connectors and appropriate Close-Up Plugs.

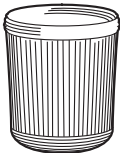
OUTLET BOXES – Designed for all Hazlux M5 Ballasts Housings.

MOUNTING STYLE	CATALOGUE NO.	CONDUIT HUB SIZE	STD. PKG.
Ceiling Mount 	XC2	3/4"	1
	XC3	1"	1
Wall Mount 	XB2	3/4"	1
	XB3	1"	1
Bulkhead Mount 	XJ2	3/4"	1
	XJ3	1"	1

GUARDS

	CATALOGUE NO.	DESCRIPTION
	XGU15	Cast Aluminum, Powder Finish

REPLACEMENT GLOBE ASSEMBLIES

	CATALOGUE NO.	DESCRIPTION
	XGSA15	Hazlux M5 replacement globe assembly 35-150 watts

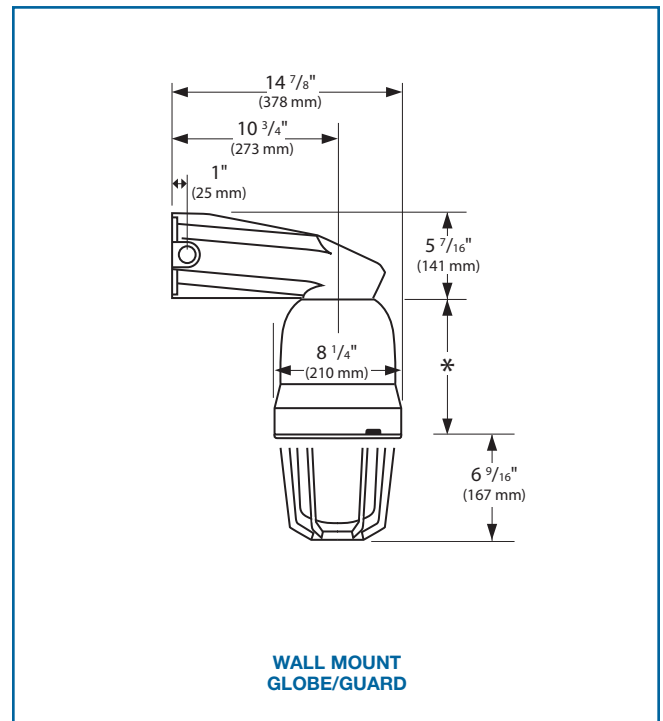
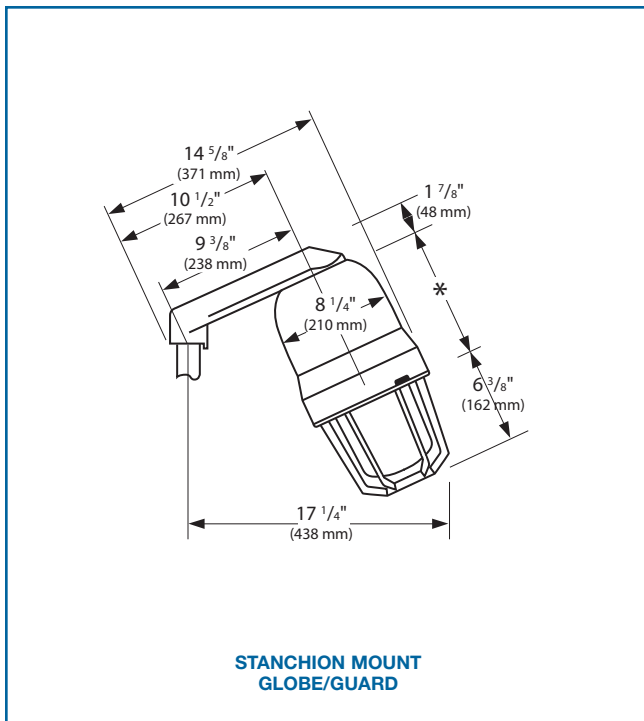
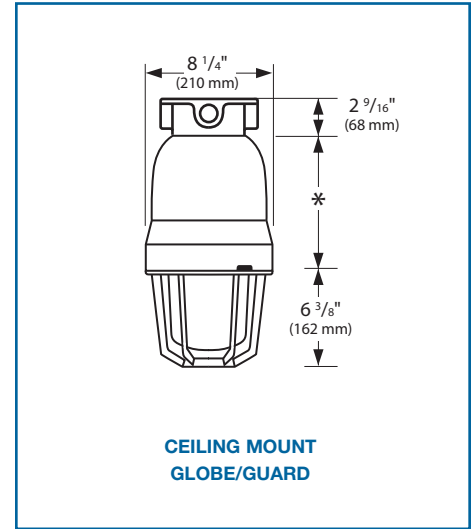
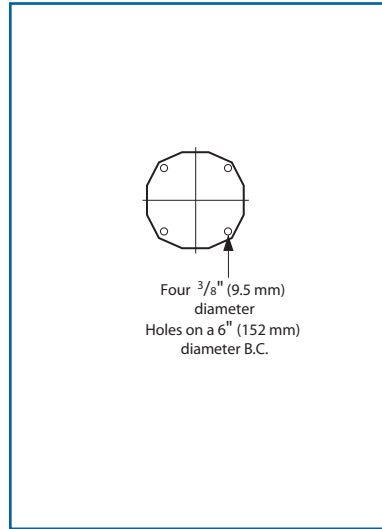
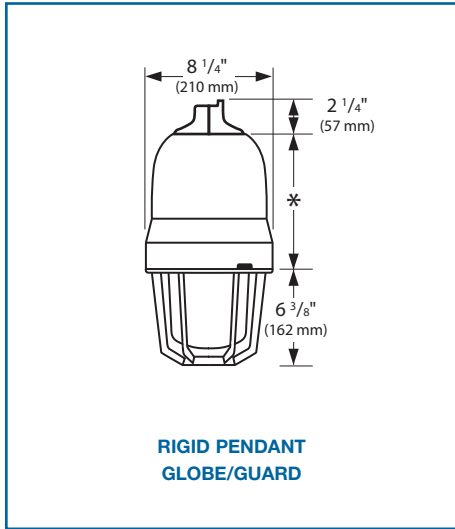


- Class I — Division 1, Groups C and D
- Zone 2, Groups IIC, IIB, IIA,
- Division 2, Groups A, B, C and D
- Class II — Division 1 and 2, Groups E, F and G



- UL Listed (UL1598) for Marine Locations
- NEMA 4X, IP66

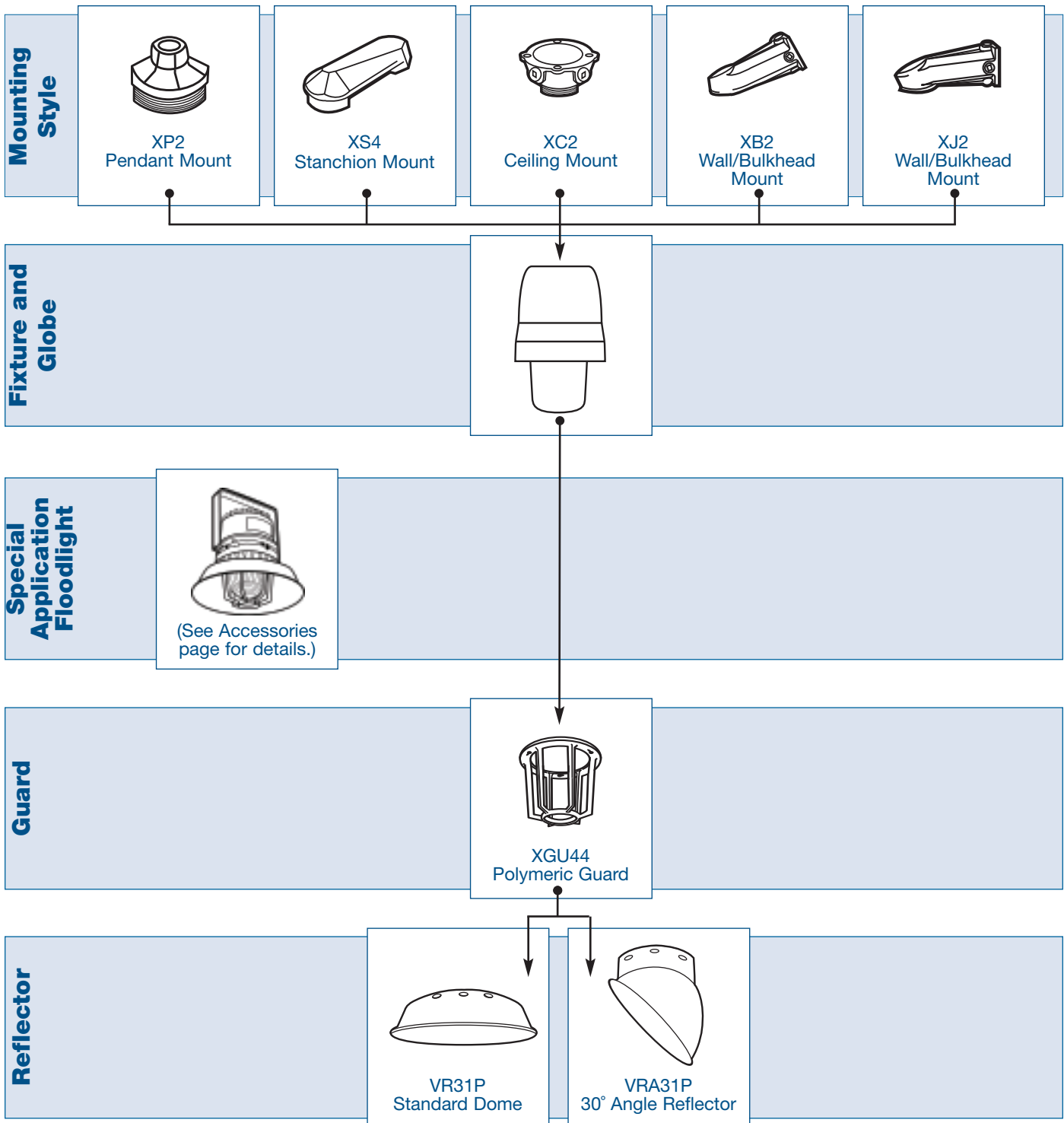
HazFlash M5 Dimensions

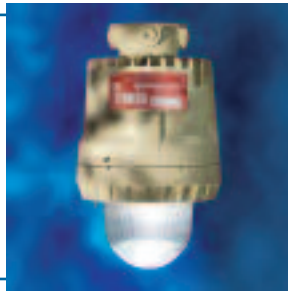


* Tank Dim: HPS 9" / 229 mm, Incandescent and Fluorescent 5 11/16" / 144 mm

Hazlux

Hazlux 5 Fixture Assembly Sample



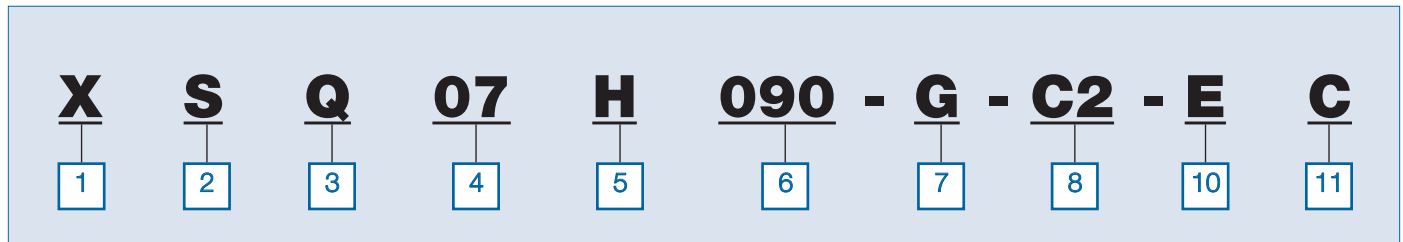


Class I — Division 1, Groups C and D
 — Zone 2, Groups IIC, IIB, IIA,
 — Division 2, Groups A, B, C and D
 Class II — Division 1 and 2, Groups E, F and G



•UL Listed (UL1598) for Marine Locations
 •NEMA 4X, IP66

Hazlux 5 Catalogue Numbering System




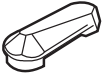
- 1 — Fixture Series**
X = Hazlux® 5 Fixture
- 2 — Lamp Type**
S = High Pressure Sodium
H = Metal Halide
- 3 — Starter Circuit/Quartz Options**
O = Standard Fixture
P = Pulse Start (MH Only)
Q = Fixture with Auxiliary Quartz Option
R = Fixture with Instant Restart Option
 (70, 100 and 150 HPS Only)
- 4 — Lamp Wattage**
05 = 50 watt
07 = 70 watt
10 = 100 watt
15 = 150 watt
17 = 175 watt (MH Only)
25 = 250 watt
40 = 400 watt
- 5 — Ballast Circuit**
C = Constant Wattage Auto Transformer (CWA)
I = Constant Wattage
 Insulated Transformer (CWI)
H = High Reactance or Reactor
 (All ballasts high power factor.)
- 6 — Voltage**
090 = 120/277/347 Volt, 60Hz
120 = 120 Volt
240 = 240 Volt
280 = 208 Volt
340 = 347 Volt
480 = 480 Volt
- 7 — Guard**
G = Cast Guard
 (omit "G" if Guard not required)
- 8 — Mounting Style**
P2 = 3/4 in. Pendant
P3 = 1 in. Pendant
C2 = 3/4 in. Ceiling
C3 = 1 in. Ceiling
B2 = 3/4 in. Wall
B3 = 1 in. Wall
J2 = 3/4 in. Bulkhead
J3 = 1 in. Bulkhead
S4 = 1-1/4 in. Stanchion
S5 = 1-1/2 in. Stanchion
- 9 — Special Options**
T = HAZ-COTE™ Custom Corrosion Coating
 on All Aluminum Parts (Consult Factory)
- 10 — Hazpak® Options**
D = Hazpak with Diffuse Coated Lamp
E = Hazpak with Clear Lamp
- 11 — CSA Certification**
C = CSA Nameplate

Note: Verify hazardous location certification with your requirements on Hazlux Certification Guide general information on page 79.

Hazlux




Hazlux 5 Accessories

OUTLET BOXES — Designed for all Hazlux 5 Ballasts Housings.

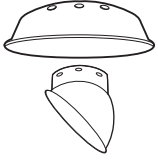
MOUNTING STYLE	CATALOGUE NO.	CONDUIT HUB SIZE	STD. PKG.
 Pendant Mount	XP2	3/4"	1
	XP3	1"	1
 Stanchion Mount	XS4	1-1/4"	1
	XS5	1-1/2"	1

Outlet Boxes include Female Electrical connectors and appropriate Close-Up Plugs.

OUTLET BOXES — Designed for all Hazlux 5 Ballasts Housings.

MOUNTING STYLE	CATALOGUE NO.	CONDUIT HUB SIZE	STD. PKG.
 Ceiling Mount	XC2	3/4"	1
	XC3	1"	1
 Wall Mount	XB2	3/4"	1
	XB3	1"	1
 Bulkhead Mount	XJ2	3/4"	1
	XJ3	1"	1

REFLECTORS


	Catalogue Number	Description	STD. PKG
	VR31P	Standard Dome Fiberglass Reinforced Polyester Finish	1
	VRD31	Deep Dome Steel with Anodized Aluminum Finish	1
	VRA31P	30° Angle Reflector, Fiberglass Reinforced Polyester Finish	1

GUARDS

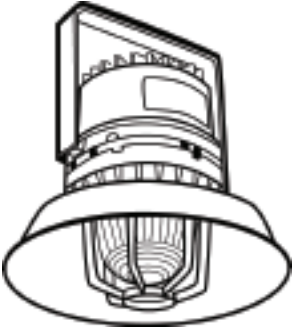
	CATALOGUE NO.	DESCRIPTION
	XGU44	Cast Aluminum Guard
	VGU31*	

* Used on all 400 watt fixtures and 200w thru 250w HPS, 250w MHPS

REPLACEMENT GLOBE ASSEMBLIES

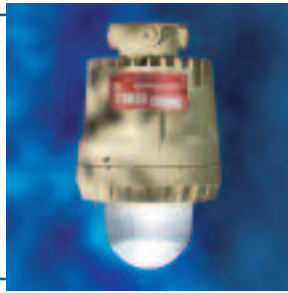
	CATALOGUE NO.	DESCRIPTION
	XGSA44	Hazlux 5 replacement globe assembly—250 MH 150 HPS
	XGSA44A	Hazlux 5 replacement globe assembly—400 watts and 250 HPS

HAZLUX 5 FLOODLIGHT (Trunnion Mount) AND REPLACEMENT GLOBE ASSEMBLIES

	CATALOGUE NO.	LAMP TYPE / WATTS
	XS005H030	High Pressure Sodium / 50
	XS007H040-G-P2TRE	High Pressure Sodium / 70
	XS010H040-G-P2-TR	High Pressure Sodium / 100
	XS015H040-G-P2TRE	High Pressure Sodium / 150
	XS025C040-G-P2TRE	High Pressure Sodium / 250
	XS040C040-G-P2TRE	High Pressure Sodium / 400
	XH017C040-G-P2TRE	Metal halide / 175
	XH025C040-G-P2TRE	Metal halide / 250
	XH040C040-G-P2TRE	Metal halide / 400
	VRA31	Angle Reflector
	VR31	Dome Reflector
	XGU44 (50-150 HPS, 175/250 MH or 100-250 MV)	Cast Guard
	VGU31 (250/400 HPS, 400 MV or 400 MH)	Cast Guard

Note: Fixture shown with Dome Reflector and Guard. These are not included in the Catalogue Numbers above.

5

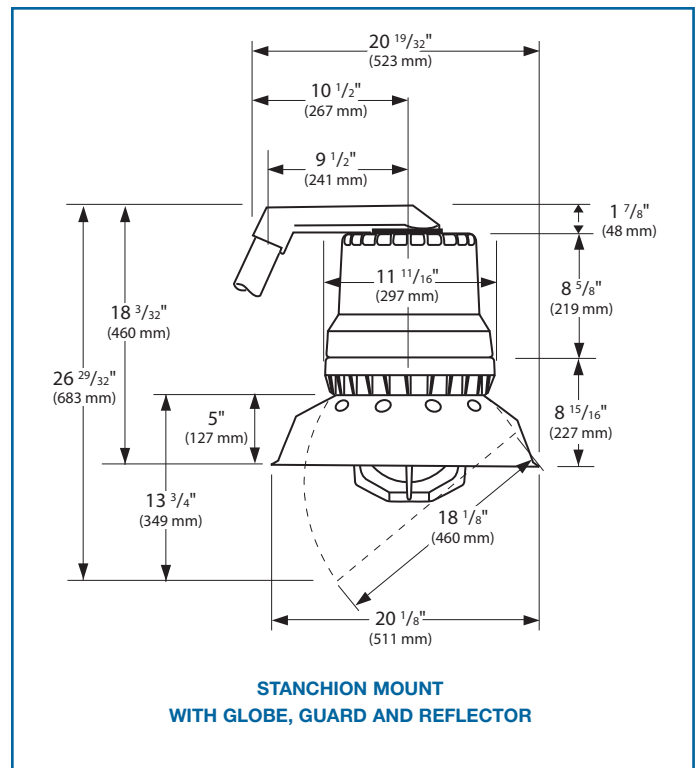
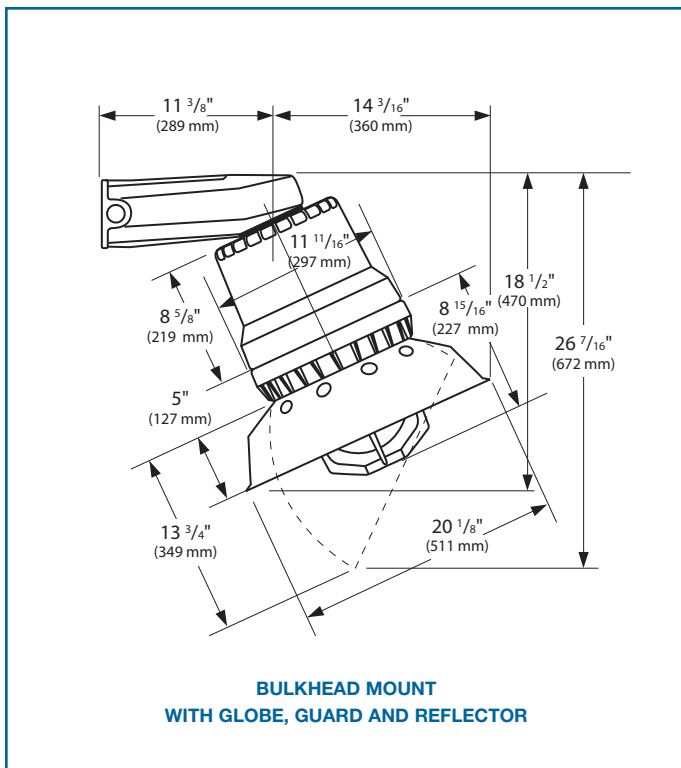
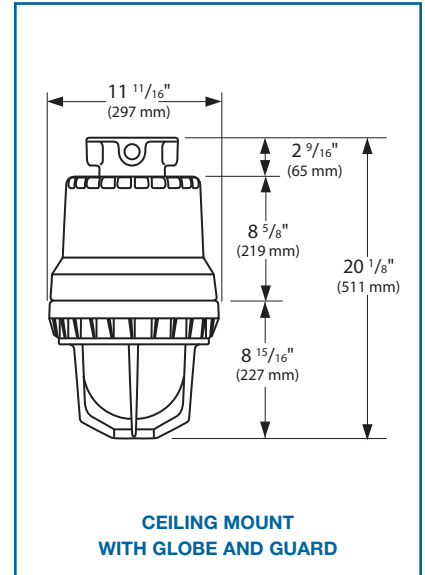
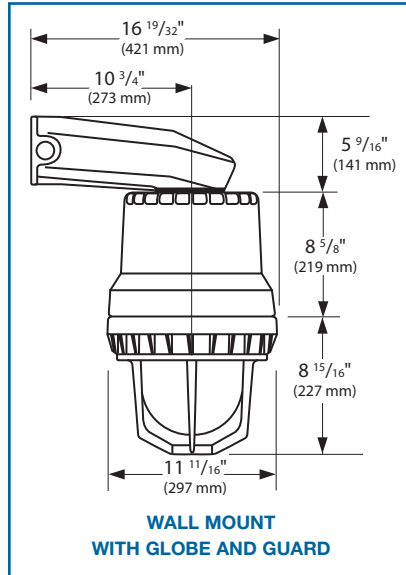
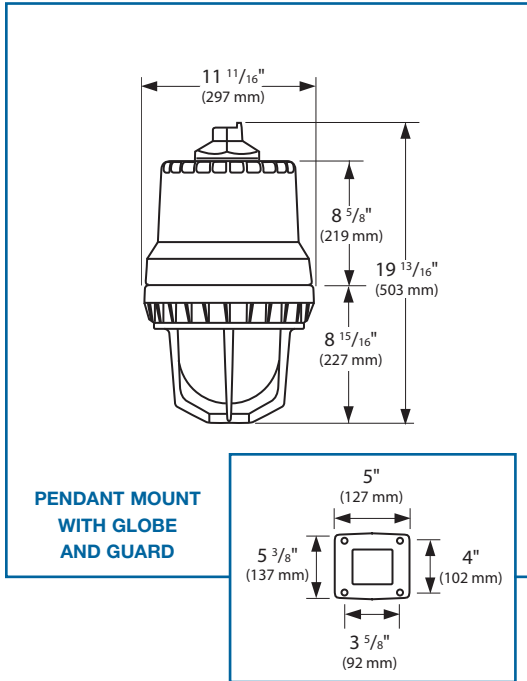


- Class I — Division 1, Groups C and D
- Zone 2, Groups IIC, IIB, IIA,
- Division 2, Groups A, B, C and D
- Class II — Division 1 and 2, Groups E, F and G



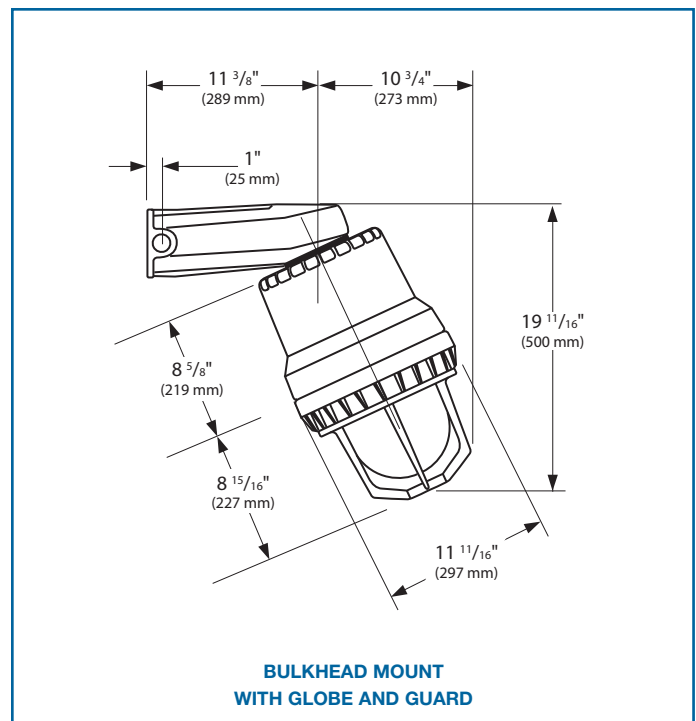
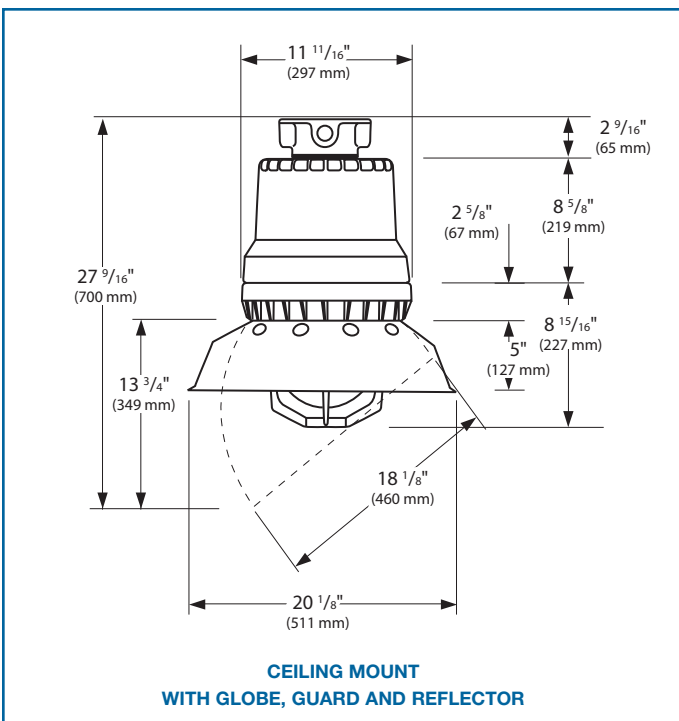
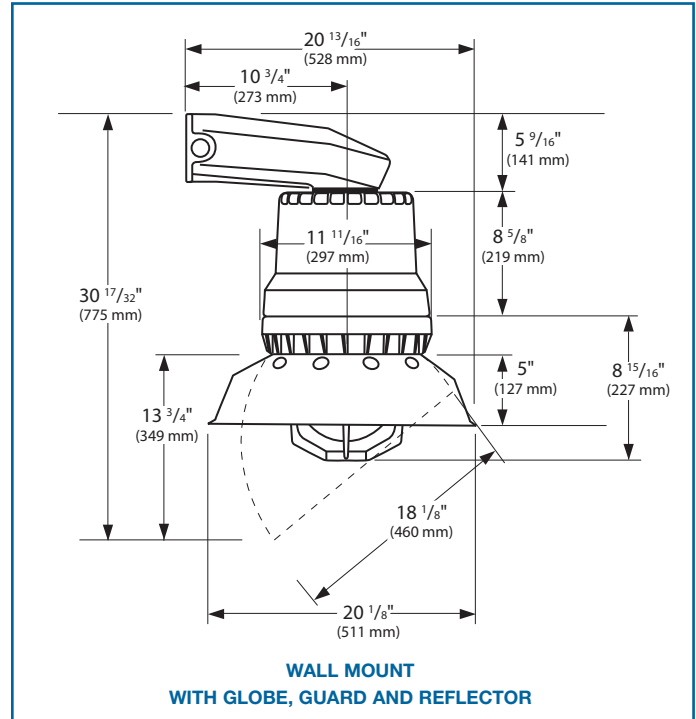
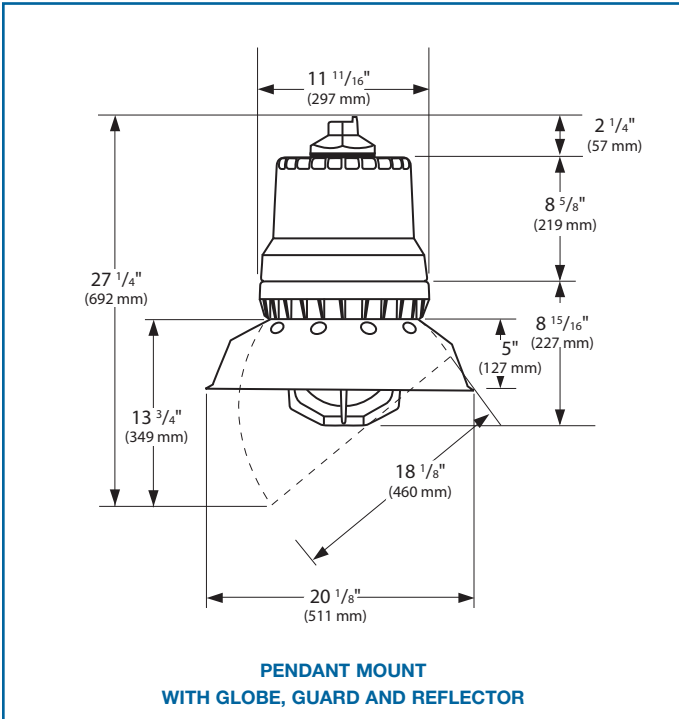
- UL Listed (UL1598) for Marine Locations
- NEMA 4X, IP66

Hazlux 5 Dimensions

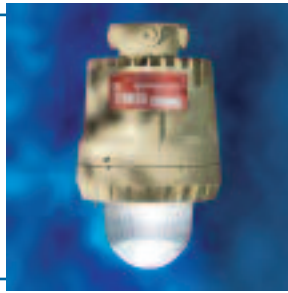


Hazlux

Hazlux 5 Dimensions



5



- Class I — Division 1, Groups C and D
- Zone 2, Groups IIC, IIB, IIA,
- Division 2, Groups A, B, C and D
- Class II — Division 1 and 2, Groups E, F and G



- UL Listed (UL1598) for Marine Locations
- NEMA 4X, IP66

Hazlux 5 (400 Series) Dimensions

