

# HAZINAX





- Class I – Zone 2, Groups IIC, IIB, IIA,  
ExnR = T3 200W-300W Incandescent  
(Restricted Breathing†)  
ExnR = T4 75W-150W Incandescent  
(Restricted Breathing†)  
ExnR = T5 13W-56W Fluorescent  
(Restricted Breathing†)  
– Division 2, Groups A, B, C and D
  - Class II – Division 1, Groups E, F and G
- **UL Listed (UL1598) for Marine Locations**
  - **NEMA 4X, IP66**



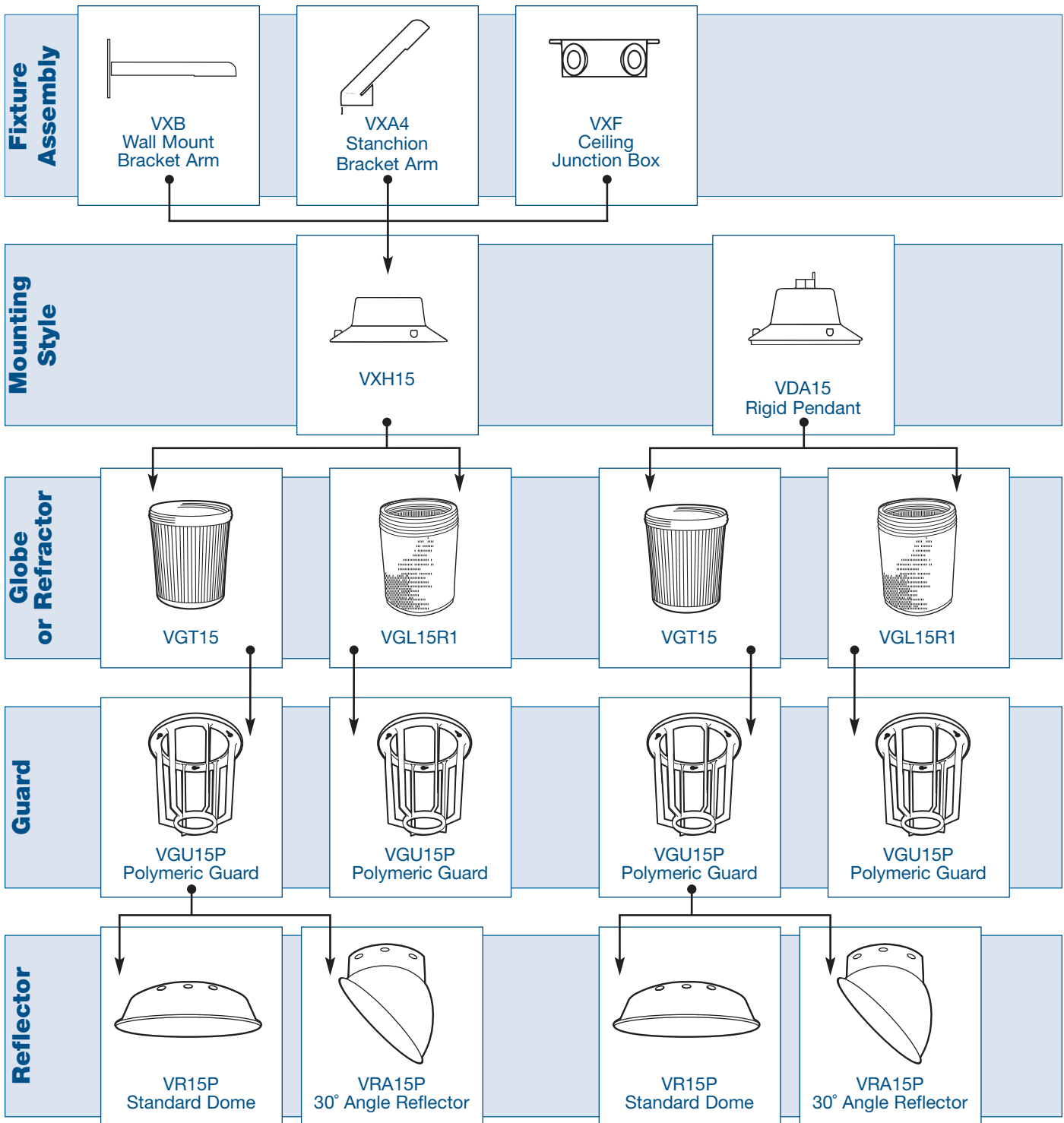
Hazlux® **M4** lighting fixtures have a compact, low profile design that is ideally suited for areas where space or fixture weight is restricted. Available for use with incandescent and fluorescent lamps, the Hazlux® **M4** fixture with fluorescent lamps is extremely energy efficient.

- Easy-to-assemble, modular construction
- Fully threaded glass globes, refractors and silicone rubber gaskets seal out dirt, dust and moisture
- Bright white FRP material reflectors optimize light output, resist corrosion and abuse
- Clear glass globes are standard; tempered globes, coloured glass globes and plastic globes are also available
- 1-3/4" deep boxes are standard on ceiling and wall mount fixtures; 3" deep boxes available for added wiring room
- Four mounting styles – pendant, ceiling, wall, angle stanchion – to meet all mounting needs
- Polycarbonate guards are corrosion and impact resistant and do not interfere with globe seal
- Incandescent – two basic sizes cover all popular wattages up to 300 watts
- Fluorescent
  - factory-wired integral ballasts for easy installation
  - 10,000 hour rated lamp life – extremely energy efficient
  - one or two 13, 22 and 28 watt lamps provide up to 44 watts of fluorescent light
  - 22, 28 and 44 watt fixtures start and operate reliably in cold temperature applications (-29°C)



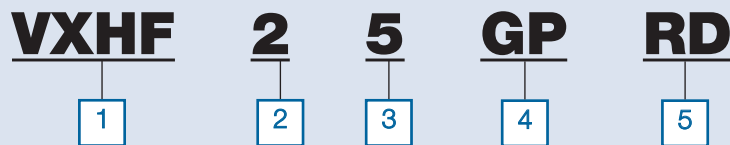
# Hazlux

## Hazlux M4 Incandescent Fixture Assembly Sample





## Hazlux M4 Incandescent Catalogue Numbering System



- 1** — **Fixture Series and Mounting Style**
- VDA** = M4 Incandescent Pendant Mount Fixture
  - VXH** = M4 Incandescent Fixture Body for Ceiling, Wall or Stanchion Mount
  - VXHA** = M4 Incandescent Stanchion Mount Fixture
  - VXHB** = M4 Incandescent Wall Mount Fixture (No Box)
  - VXHBF** = M4 Incandescent Wall Mount Fixture (With Box)
  - VXHF** = Incandescent M4 Ceiling Mount Fixture (With Box)

- 2** — **Hub Size**
- 2** = 3/4 in. NPT Hub
  - 4** = 1-1/4 in. NPT Hub

- 3** — **Lamp Wattage**
- 5** = 150 Watt Maximum
  - 2** = 200 to 300 Watt

- 4** — **Optics and Guards**
- G** = Clear Glass Globe
  - GP** = Clear Globe and Polymeric Guard
  - TG** = Tempered Glass Globe
  - TGP** = Tempered Glass Globe and Polymeric Guard
  - ACG** = Amber Glass Globe
  - BCG** = Blue Glass Globe
  - GCG** = Green Glass Globe
  - RCG** = Red Glass Globe
  - ACGP** = Amber Glass Globe and Polymeric Guard
  - BCGP** = Blue Glass Globe and Polymeric Guard
  - GCGP** = Green Glass Globe and Polymeric Guard
  - RCGP** = Red Glass Globe and Polymeric Guard
  - R1\*\*** = Type I Threaded Glass Refractor
  - R3\*\*** = Type III Threaded Glass Refractor
  - R5\*\*** = Type V Threaded Glass Refractor


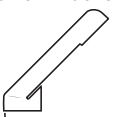
\*\* 150 Watt Maximum

- 5** — **Reflector Options**
- RD** = Dome Reflector
  - RA** = Angle Reflector

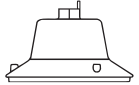
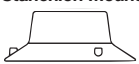
# Hazlux

## Hazlux M4 Incandescent Accessories


### FIXTURE ASSEMBLY

	CAT. NO.	CONDUIT HUB SIZE
 <p>Wall Mount Bracket Arm</p>	VXB	N.A.
 <p>Stanchion Bracket Arm</p>	VXA4	1-1/4"

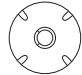
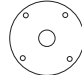
### MOUNTING STYLE

	CAT.NO.	WATT. MAX. LAMP SIZE	CONDUIT HUB SIZE
 <p>Pendant Mount</p>	VDA15 VDA25	150W 150W	1/2" 3/4"
	VDA12 VDA22	200-300W 200-300W	1/2" 3/4"
 <p>Ceiling, Wall or Stanchion Mount</p>	VXH15 VXH12	150W 200-300W	N.A. N.A.


### JUNCTION BOX FOR WALL OR CEILING

	CAT. NO. 4 Hubs	CAT. NO. 5 Hubs	CONDUIT HUB SIZE
 <p>1-3/4" Inside Depth</p>	VXF10 VXF20	VXFT10 VXFT20	1/2" 3/4"

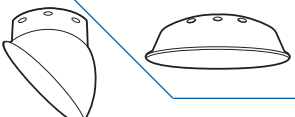
### COVERS and GASKETS

	CAT. NO.	DESCRIPTION	CONDUIT HUB SIZE
	VHC2	Fixture Hanger Hub Cover for VXF and VXFD Boxes	3/4"
	GASK643	Gasket for Hub Covers, Flat Covers and Bracket Arms	N.A.


### GLASS GLOBES

	CAT. NO., 150W MAX. LAMP SIZE	CAT. NO., 200-300W MAX. LAMP SIZE	DESCRIPTION
	VGT15	VGT22	Clear, Heat Resistant
	VGT15R	VGT22R	Red
	VG15G	VGT22G	Green
	VGT15B	VGT22B	Blue
	VGT15A	VGT22A	Amber

### REFLECTORS

	CAT. NO., 150W MAX. LAMP SIZE	CAT. NO., 200-300W MAX. LAMP SIZE	DESCRIPTION
	VR15P	VR22P	Dome
	VRA15P	VRA22P	Angled

### GUARDS

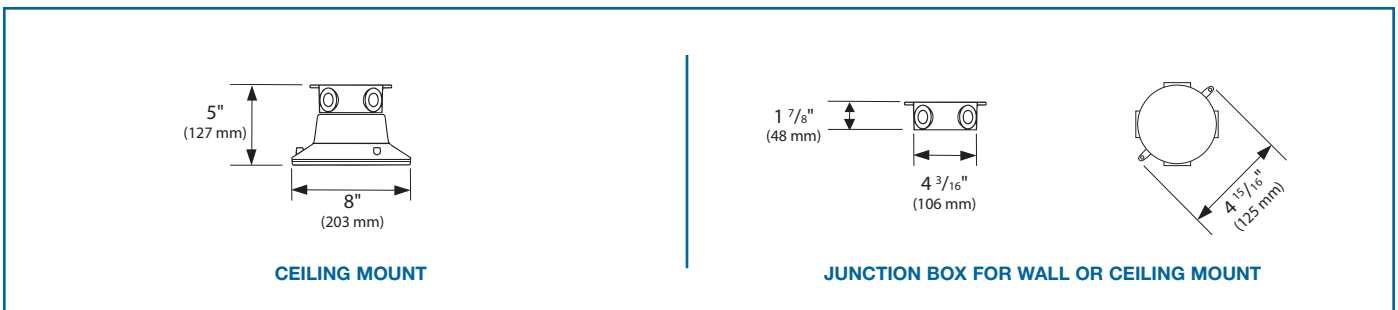
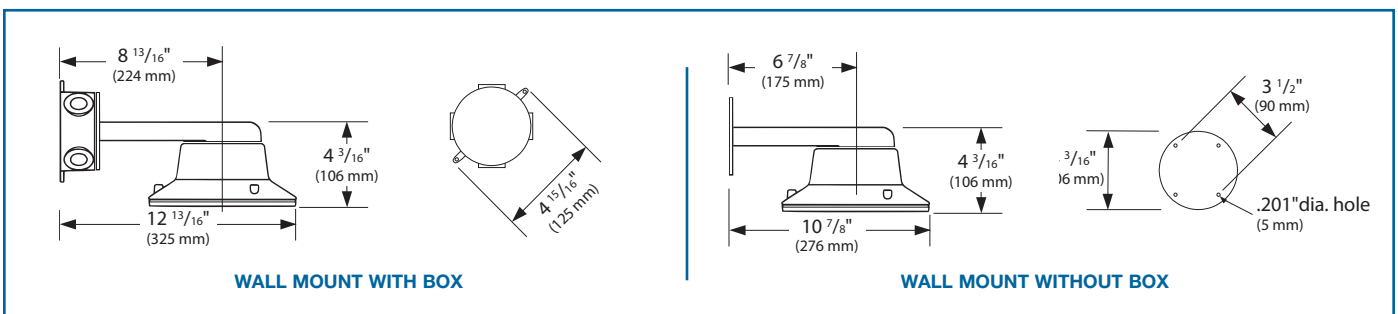
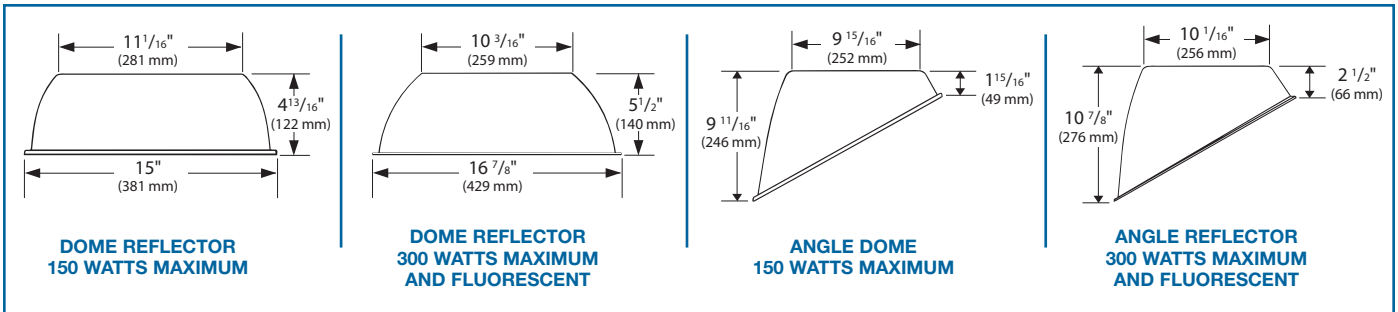
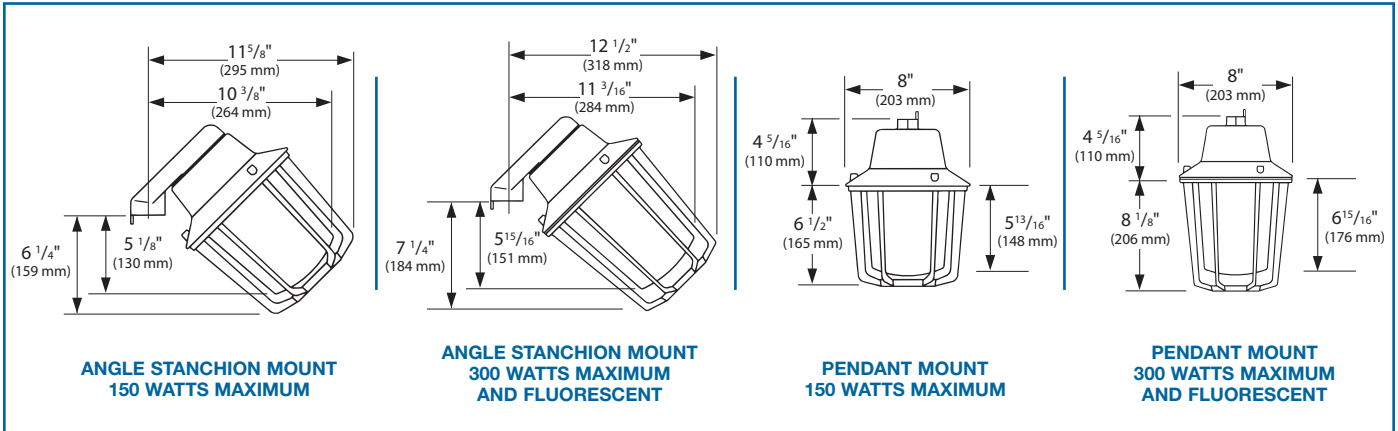
	CAT. NO., 150W MAX. LAMP SIZE	CAT. NO., 200-300W MAX. LAMP SIZE	DESCRIPTION
	VGU15P	VGU22P	Polymeric Guard



Class I — Zone 2, Groups IIC, IIB, IIA,  
 — Division 2, Groups A, B, C and D  
 Class II — Division 1, Groups E, F and G  
 •UL Listed (UL1598) for Marine Locations  
 •NEMA 4X, IP66

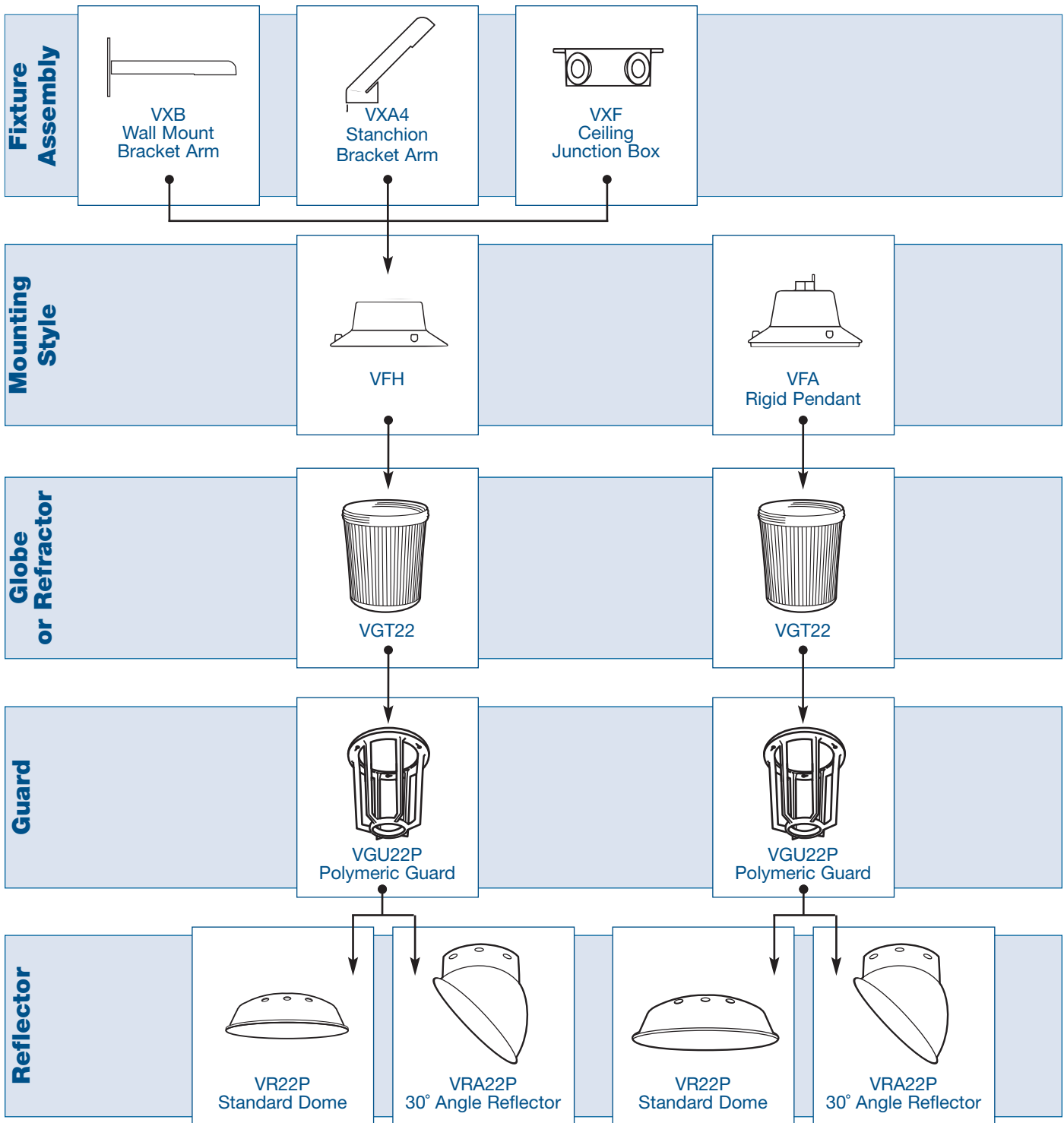


## Hazlux M4 Incandescent Dimensions



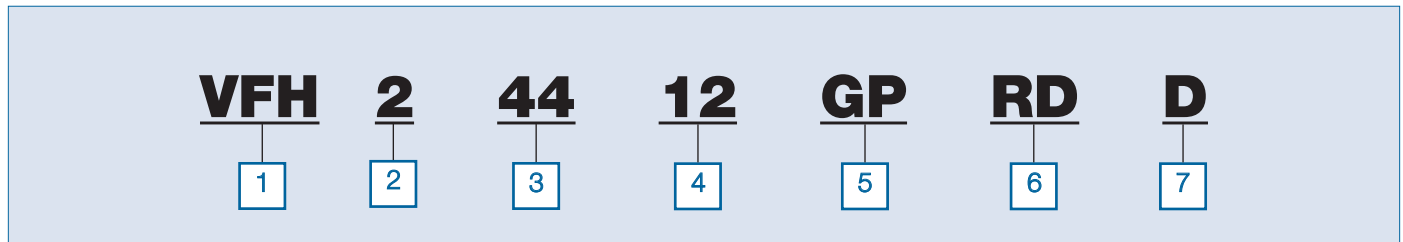
# Hazlux

## Hazlux M4 Fluorescent Fixture Assembly Sample





## Hazlux M4 Fluorescent Catalogue Numbering System



- 1 — Fixture Series and Mounting Style**
- VFA** = M4 Fluorescent Pendant Mount
  - VFH** = M4 Fluorescent Body for Ceiling, Wall or Stanchion Mount
  - VFHA** = M4 Fluorescent Stanchion Mount
  - VFHB** = M4 Fluorescent Wall Mount (No Box)
  - VFHBF** = M4 Fluorescent Wall Mount (Std Box)
  - VFHBFD** = M4 Fluorescent Wall Mount (Deep Box)
  - VFHF** = M4 Fluorescent Ceiling Mount (Std Box)
  - VFHFD** = M4 Fluorescent Wall Mount (Deep Box)

- 2 — Hub Size**
- 2** = 3/4 in. NPT Hub
  - 4** = 1-1/4 in. NPT Hub

- 3 — Lamp Wattage**
- 13** = 13 Watt (One 13W lamp)
  - 22** = 22 Watt (One 22W lamp)
  - 26** = 26 Watt (Two 13W lamps)
  - 28** = 28 Watt (One 28W lamp)
  - 44** = 44 Watt (Two 22W lamps)

- 4 — Voltage**
- 12** = 120 VAC

- 5 — Optics and Guards**
- G** = Clear Glass Globe
  - GP** = Clear Globe and Polymeric Guard
  - TG** = Tempered Glass Globe
  - TGP** = Tempered Glass Globe and Polymeric Guard
  - ACG** = Amber Glass Globe\*
  - BCG** = Blue Glass Globe\*
  - GCG** = Green Glass Globe\*
  - RCG** = Red Glass Globe\*
  - ACGP** = Amber Glass Globe and Polymeric Guard\*
  - BCGP** = Blue Glass Globe and Polymeric Guard\*
  - GCGP** = Green Glass Globe and Polymeric Guard\*
  - RCGP** = Red Glass Globe and Polymeric Guard\*
- \*CSA Certification Pending on Coloured Globes.

- 6 — Reflector Options**
- RD** = Dome Reflector
  - RA** = Angle Reflector


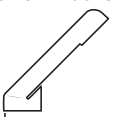
- 7 — Packaging Options**
- D** = Hazpak® Packaging (Completely Assembled with Lamps in One Carton)
  - P** = PROJECPAK® Packaging (All Components, Including Lamp(s), in One Carton, Unassembled)

Note: If no packaging code is specified, fixture components will be shipped in separate cartons. All fixtures and fixture housings include lamps.

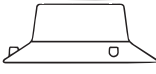
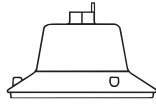
# Hazlux

## Hazlux M4 Fluorescent Accessories

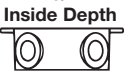
### FIXTURE ASSEMBLY

	CAT. NO.	CONDUIT HUB SIZE
 Wall Mount Bracket Arm	VXB	N.A.
 Stanchion Bracket Arm	VXA4	1-1/4"

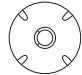
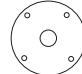
### MOUNTING STYLE

	CATALOGUE NO.	CONDUIT HUB SIZE
	VFH	N.A.
	VFA	1/2"

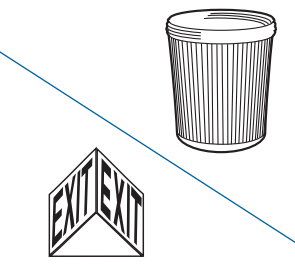
### JUNCTION BOX FOR WALL OR CEILING

	CAT. NO. 4 Hubs	CAT. NO. 5 Hubs	CONDUIT HUB SIZE
 1-3/4" Inside Depth	VXF10 VXF20	VXFT10 VXFT20	1/2" 3/4"

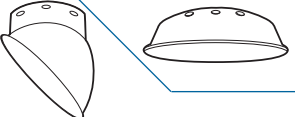
### COVERS and GASKETS

	CAT. NO.	DESCRIPTION	CONDUIT HUB SIZE
	VHC1 VHC2	Fixture Hanger Hub Cover for VXF Boxes	1/2" 3/4"
	GASK643	Gasket for Hub Covers, Flat Covers and Bracket Arms	N.A.


### GLASS GLOBES

	CAT. NO., 150W MAX. LAMP SIZE	CAT. NO., 200-300W MAX. LAMP SIZE	DESCRIPTION
	VGT15	VGT22	Clear, Heat Resistant
	VGT15R	VGT22R	Red
	VG15G	VGT22G	Green
	VGT15B	VGT22B	Blue
	VGT15A	VGT22A	Amber
	VRE22		Three Sided Exit Sign

### REFLECTORS

	CAT. NO., 150W MAX. LAMP SIZE	CAT. NO., 200-300W MAX. LAMP SIZE	DESCRIPTION
	—	VR22P	Dome
	—	VRA22P	Angled

### GUARDS

	CAT. NO., 150W MAX. LAMP SIZE	CAT. NO., 200-300W MAX. LAMP SIZE	DESCRIPTION
	—	VGU22P	Polymeric Guard

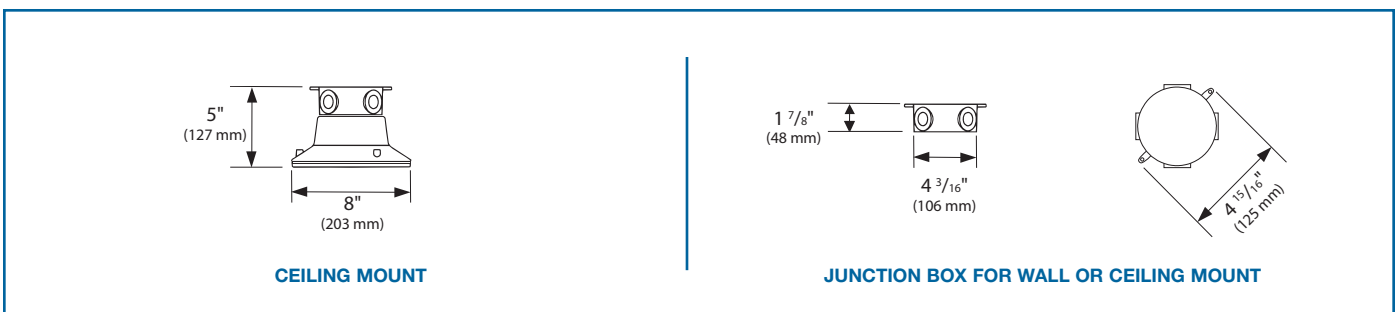
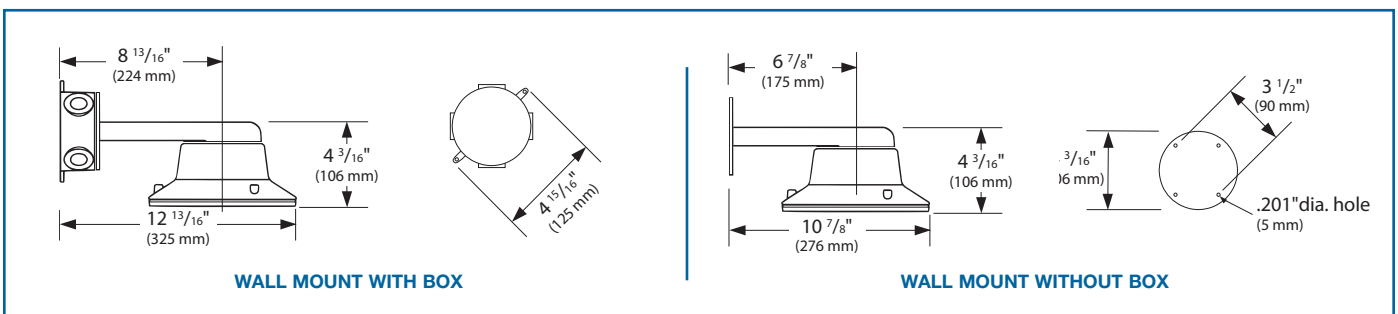
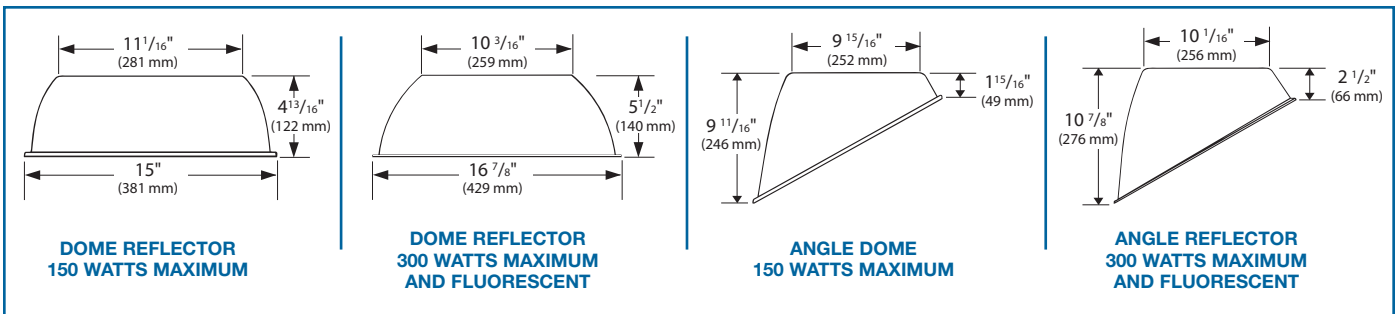
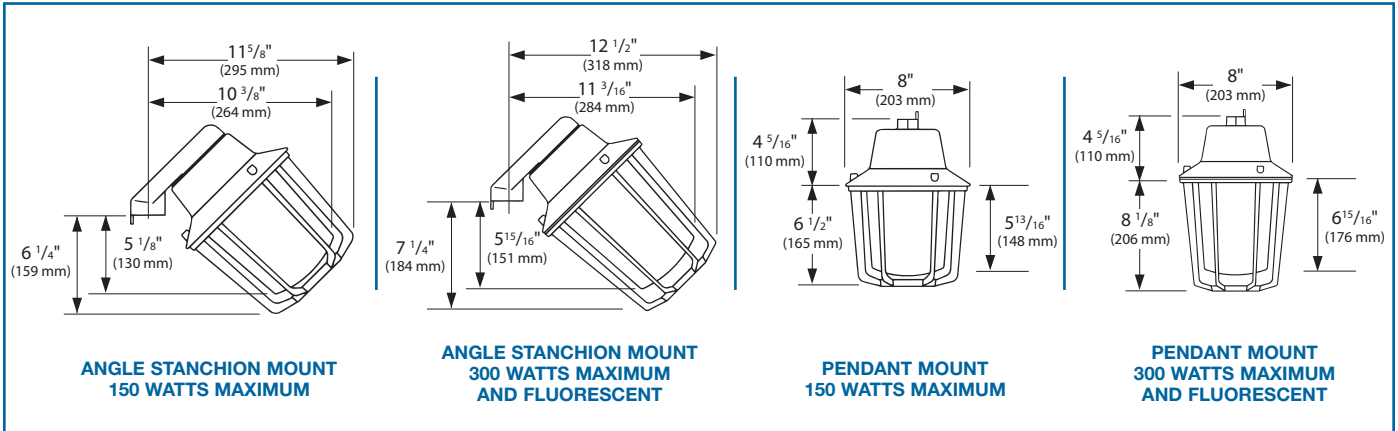
# M4 Fluorescent



- Class I — Zone 2, Groups IIC, IIB, IIA,  
— Division 2, Groups A, B, C and D
- Class II — Division 1, Groups E, F and G
- UL844
- NEMA 4X, IP66



## Hazlux M4 Fluorescent Dimensions



# HazFlash



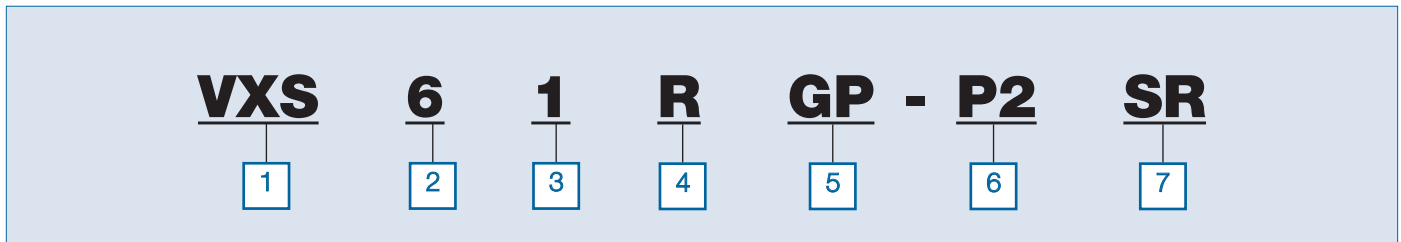
The **HazFlash® M4** strobe lighting fixture is an enclosed and gasketed fixture that is suitable for use in marine and wet locations as well as in a wide range of industrial facilities.

Two models are available: the VXS for outdoor, wet and marine locations and the DXS for Class I, Zone 2, Division 2 and Class II, Division I locations.

Available in a choice of five lens colours, both models provide 60 flashes per minute and are ideally suited for use as a warning of unsafe conditions in areas where noise prevents audible signals from being heard.



## HazFlash M4 Catalogue Numbering System



### 1 — Fixture Series

- VXS** = HazFlash™ M4 Adverse location Xenon Strobe Light
- DXS** = HazFlash™ M4 Class I, Zone 2, Div. 2; Class II Xenon Strobe

### 2 — Flash Rate

- 6** = 60 Flashes per Minute

### 3 — Electrical Ratings

- 1** = 120 Volts AC, 50/60 Hz
- 2** = 240 Volts AC, 50/60 Hz
- 8** = 10-30 Volts DC
- 9** = 90-130 Volts DC

### 4 — Lens Colour

- R** = Red
- B** = Blue
- C** = Clear
- G** = Green
- A** = Amber

### 5 — Optics and Guards

- G** = Polycarbonate Globe (Standard)
- GP** = Polycarbonate Globe and Polymeric Guard
- TG** = Tempered Glass Globe
- TGP** = Tempered Globe and Polymeric Guard

### 6 — Mounting Style

- P2** = 3/4 in. Pendant Mount
- C2** = 3/4 in. Ceiling Mount
- B2** = 3/4 in. Wall Mount with Box
- S4** = 1-1/4 in. Angle Stanchion Mount

### 7 — Options

- SR** = Sealing Ring Kit for Inverted Mounting (Maintains Marine Listing in Globe Up Position)

## Hazflash M4 Accessories

### VXS STROBE LIGHT REPLACEMENT PARTS

CATALOGUE NUMBER	DESCRIPTION
<b>XSFT</b>	Flash Tube
<b>XSFL-R</b>	Fresnel Lens — Red
<b>XSFL-B</b>	Fresnel Lens — Blue
<b>XSFL-C</b>	Fresnel Lens — Clear
<b>XSFL-G</b>	Fresnel Lens — Green
<b>XSFL-A</b>	Fresnel Lens — Amber
<b>VGU-15P</b>	Polycarbonate Guard
<b>VGT15</b>	Tempered Glass Globe
<b>VGL15P</b>	Polycarbonate Globe
<b>SRKIT-1</b>	Sealing Ring Kit — includes sealing ring and gasket



- Class I — Zone 2, Groups IIC, IIB, IIA,  
— Division 2, Groups A, B, C and D
- Class II — Division 1, Groups E, F and G  
Enclosed and Gasketed
- Outdoor Wet Locations, NEMA 3R
- Outdoor Marine, NEMA 4X, IP66



## HazFlash M4 Dimensions

