

HAZIMAX



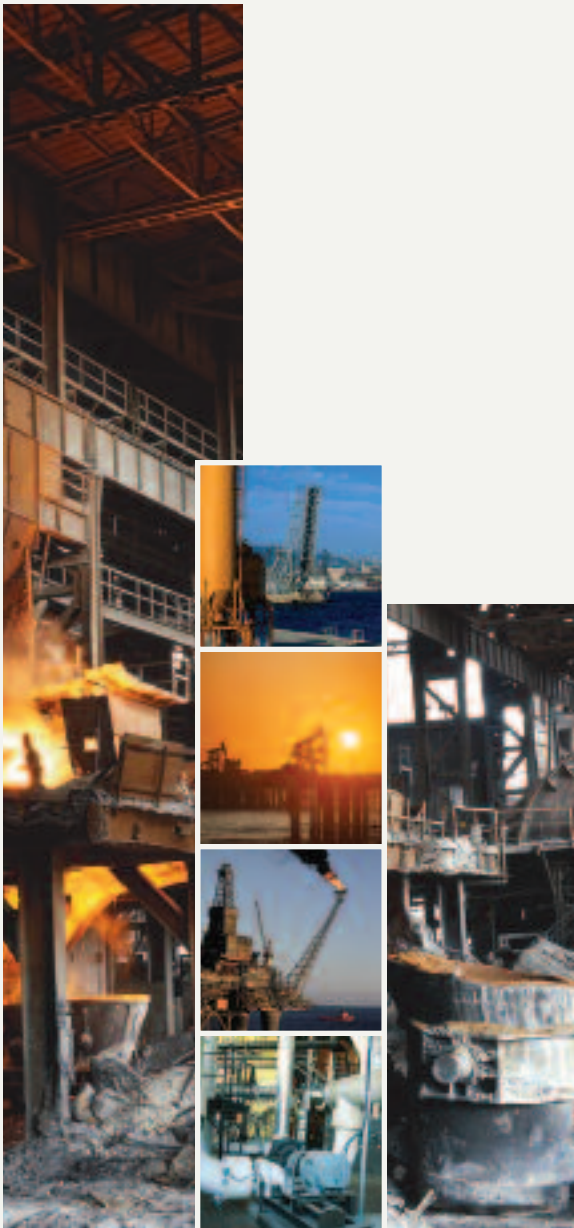
M3/3

Class I — Zone 2, Groups IIC, IIB, IIA,
Exn R II T3 (Restricted Breathing*)
— Division 2, Groups A, B, C and D
Class II — Division 1 and 2, Groups E, F and G
Class III



- UL Listed (UL1598) for Marine Locations
- NEMA 4X, IP66

Hazlux® **M3** medium base and Hazlux® **3** HID mogul base fixtures are enclosed and gasketed for use in Class I, Zone 2 and Division 2 hazardous locations as well as Class II dust environments. These fixtures are also certified for use in restricted breathing areas as well as indoor or outdoor locations where lighting fixtures are exposed to corrosion accelerators such as dust, rain, hose-directed water and ice formation.



Hazlux® M3

- Compact, low profile design – highly cost efficient for areas where space or fixture weight is restricted
- Easy to install – electromechanical connection block, hinged covers, self-aligning refractors, prewired ballast
- Unipak™ option provides factory assembled, pre-lamped fixtures – proven installation savings of 1/2 hour per fixture
- Light sources – HID metal halide and high pressure sodium; fluorescent and incandescent
- Superior thermal design for use in elevated temperature environments also provides cooler operating performance at normal ambient temperatures
- Self-aligning high efficiency prismatic glass refractors; fluted glass globes and computer-designed fiberglass-reinforced polyester reflectors provide superior photometrics

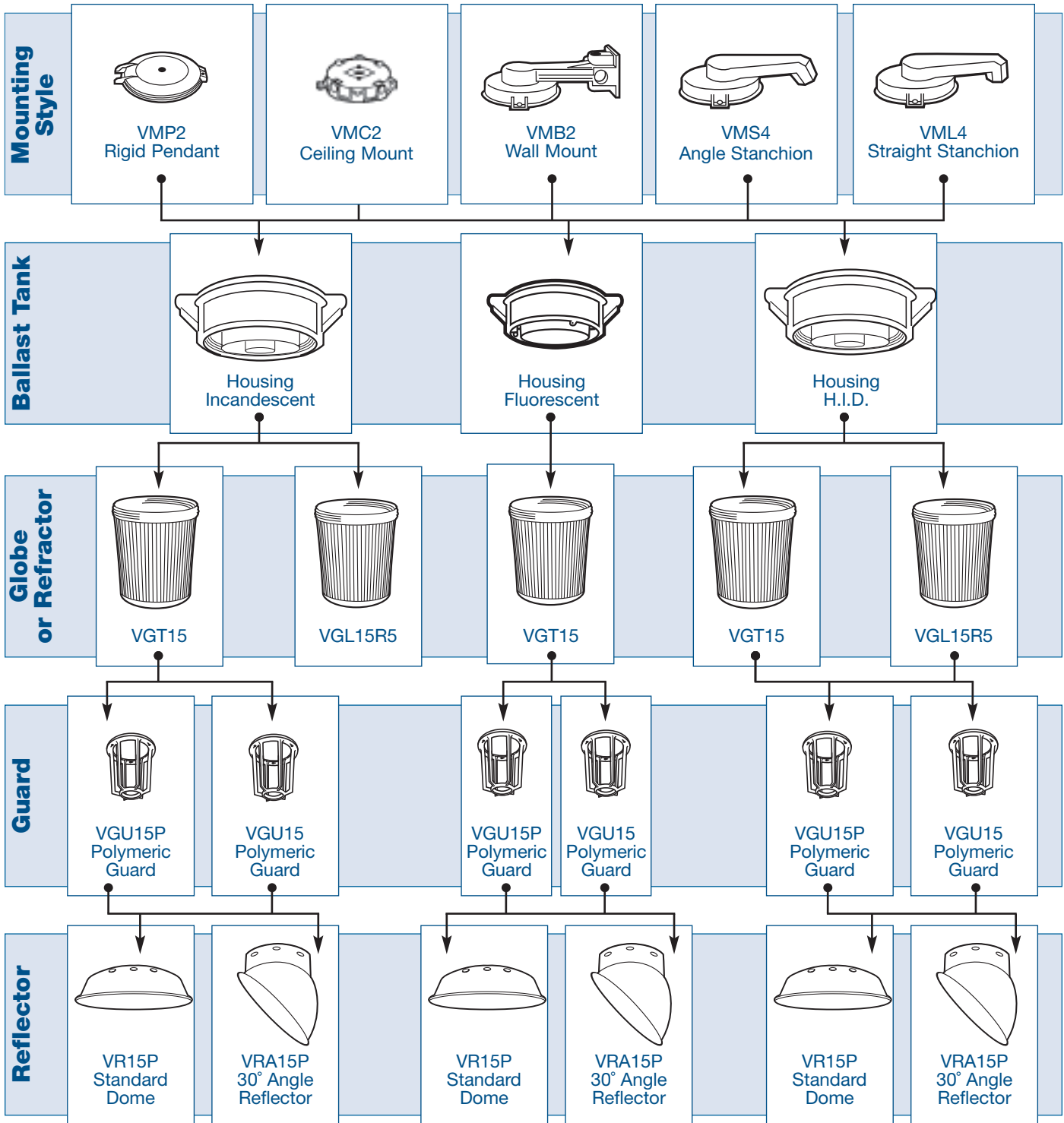
Hazlux® 3

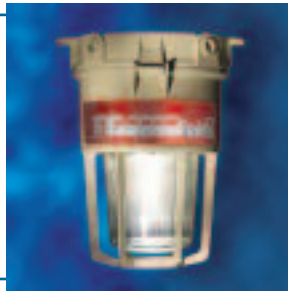
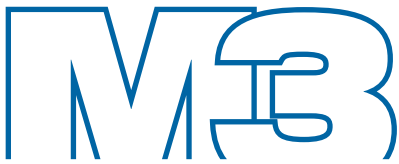
- **NEW** - induction lighting lamp option as well as high pressure sodium and metal halide
- Three ballast housing sizes – standard, refractor globe and large – install easily on any of seven standard mounting styles
- Simple hinge arrangement allows for hands-free wiring
- Tri-tap ballast provides ratings of 120/277/347 volts
- All ballasts are high power factor (90% minimum) incorporating non-PCB capacitors
- Ballast housings available for High Pressure Sodium and Metal Halide lamps in wattages from 35 to 400 watts
- Standard ballasts are rated starting at –29°C with lower operating temperature ballasts available on request
- Unique gasketing action ensures NEMA 4X and IP66
- Threaded globe refractors, in IES types I, III and V. Programmed cutting of ballast tank threads ensures accurate orientation for types I and III light patterns.
- Globe type refractors are positive sealing, ensuring NEMA 4X and IP66 conformance
- Threaded globe refractors do not require tools for relamping
- Types I and III threaded globe refractors self alignment feature assures future maintenance will be quick and will not require costly readjustment of light pattern

*Hazlux 3 only. With appropriate fittings installed

Hazlux

Hazlux M3 Fixture Assembly Sample





Class I — Zone 2, Groups IIC, IIB, IIA,
— Division 2, Groups A, B, C and D
Class II — Division 1 and 2, Groups E, F and G
Class III
•UL Listed (UL1598) for Marine Locations
•NEMA 4X, IP66



Hazlux M3 Catalogue Numbering System


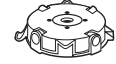
HID												
D	S	M	07	P	120	-	R5P	-	C2	T	E	C
1	2	3	4	5	6		7		8	9	10	11
Incandescent Only												
D	I	M	10	O	120	-	GGL	-	C2	T	C	
1	2	3	4	5	6		7		8	9	10	
Fluorescent Only												
D	F	B	18	O	120	-	GGL	-	C2	T	D	C
1	2	3	4	5	6		7		8	9	10	11

- 1** — **Fixture Series**
D = Hazlux® M3 Fixture
- 2** — **Lamp Type**
S = High Pressure Sodium
H = Metal Halide
F = Fluorescent
I = Incandescent
- 3** — **Lampholder**
M = Medium Base Lampholder
B = Bi Pin Type (Fluorescent)
- 4** — **Lamp Wattage**
09 = 9 watt **05** = 50 watt
13 = 13 watt **07** = 70 watt
18 = 18 watt **75** = 75 watt
26 = 26 watt **10** = 100 watt
03 = 35 watt **15** = 150 watt (HPS Only)
- 5** — **Ballast Circuit**
C = Constant Wattage Autotransformer (CWA)
D = Fluorescent 24 VDC
P = Reactor Type (HPS & Flood)
O = Incandescent
- 6** — **Voltage**
120 = 120 Volt
- 7** — **Optical Assembly Options**
G = Standard Globe Only
GGL = Standard Globe and Polymeric Guard
GG = Standard Globe and Cast Guard
TG = Tempered Globe Only
- 7** — **Optical Assembly Options (Cont'd)**
TGL = Tempered Globe and Polymeric Guard
TGC = Tempered Globe and Cast Guard
R1 = Type I (Long and Narrow) Glass Refractor
R3 = Type III (Assymetric) Glass Refractor
R5 = Type V (Symetric) Glass Refractor
R1P = Type I Refractor and Polymeric Guard
R3P = Type III Refractor and Polymeric Guard
R5P = Type V Refractor and Polymeric Guard
R5A = 8 in. Glass Refractor (Type V)
CBDL = Closed Bottom Refractor with Polycarbonate Lens
- 8** — **Mounting Style**
P2 = 3/4 in. Rigid Pendant **C2** = 3/4 in. Ceiling
P3 = 1 in. Rigid Pendant **C3** = 1 in. Ceiling
B2 = 3/4 in. Wall **L4** = 1-1/4 in.
B3 = 1 in. Wall Straight Stanchion
L5 = 1-1/2 in.
 Straight Stanchion
S4 = 1-1/4 in.
 Angle Stanchion
S5 = 1-1/2 in.
 Angle Stanchion
- 9** — **Special Options**
T = HAZ-COTE™ Custom Corrosion Coating
on All Aluminum Parts (Consult Factory)
- 10** — **Hazpak® Options**
D = Hazpak with Diffused Coated lamp
E = Hazpak with Clear lamp
U = Hazpak with No Lamp
- 11** — **CSA Certification**
C = CSA Nameplate


Hazlux

Hazlux M3 Accessories


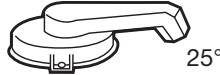

OUTLET BOXES

MOUNTING STYLE	CAT. NO.	CONDUIT HUB SIZE
Rigid Pendant 	VMP2 VMP3	3/4" 1"
Ceiling Mount 	VMC2 VMC3	3/4" 1"

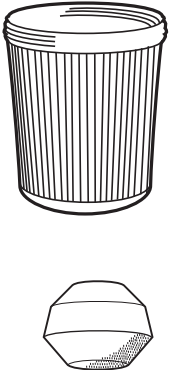
EXIT SIGN

	CATALOGUE NO.	STD. PKG.	COLOUR
	VRE22	1	Red


OUTLET BOXES

MOUNTING STYLE	CAT. NO.	CONDUIT HUB SIZE
Wall Mount 	VMB2 VMB3	3/4" 1"
Stanchion Mount 	VMS4 VMS5	1-1/4" 1-1/2"
Stanchion Mount 	VML4 VML5	1-1/4" 1-1/2"

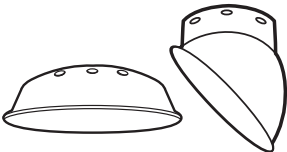
GLOBES OR REFRACTORS

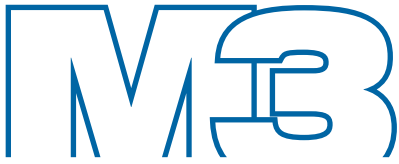
	CATALOGUE NO.	DESCRIPTION
	VGT15	Heat-Resistant Prismatic Glass
	VGL15P	Polycarbonate Plastic Globe
	VGL15R1	IES Type I Refractor Globe
	VGL15R3	IES Type III Refractor Globe
	VGL15R5	IES Type V Refractor Globe
	VRF22C5A	8" IES Type V Reflector
	VR22CBDL	Low Bay Refractor with Plastic Lens

GUARDS

	CATALOGUE NO.	DESCRIPTION
	VGU15	Cast Aluminum - for use with glass globes or refractors
	VGU15P	Polymeric - for use with glass globes or refractors

REFLECTORS

	CATALOGUE NO.	DESCRIPTION
	VR15P	Standard Dome Fiber Glass Reinforced Polyester
	VRA15P	30° Angle Reflector Fiberglass Reinforced Polyester

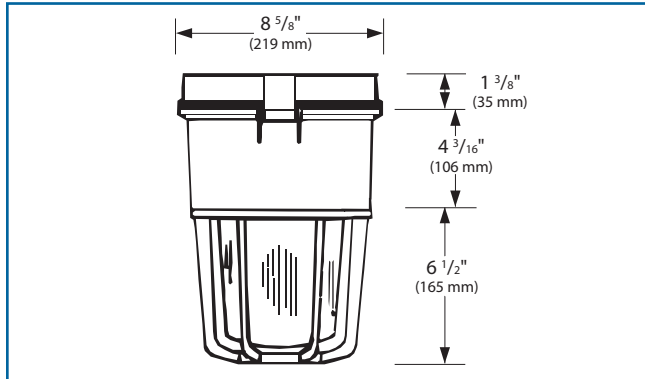


- Class I — Zone 2, Groups IIC, IIB, IIA,
- Division 2, Groups A, B, C and D
- Class II — Division 1 and 2, Groups E, F and G
- Class III
- UL Listed (UL1598) for Marine Locations
- NEMA 4X, IP66

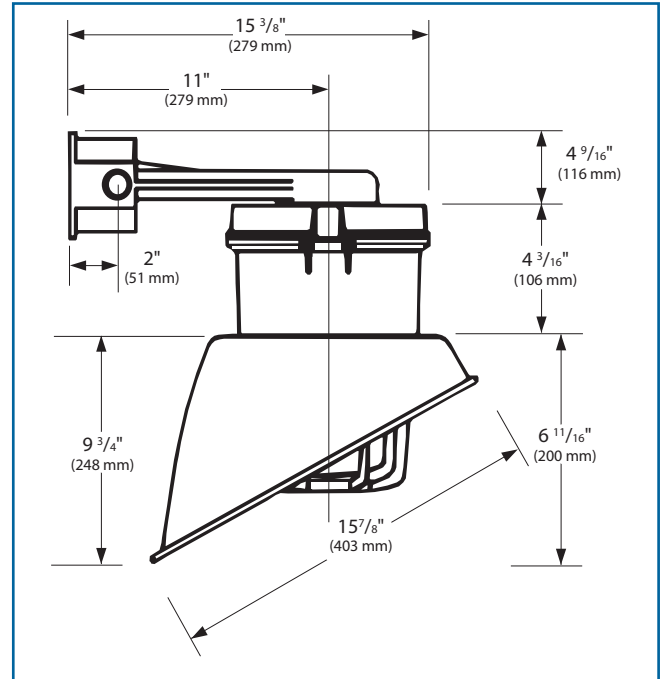


Hazlux M3 Dimensions

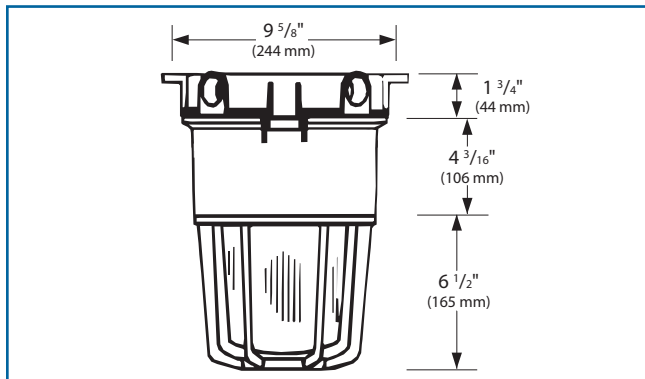
RIGID PENDANT



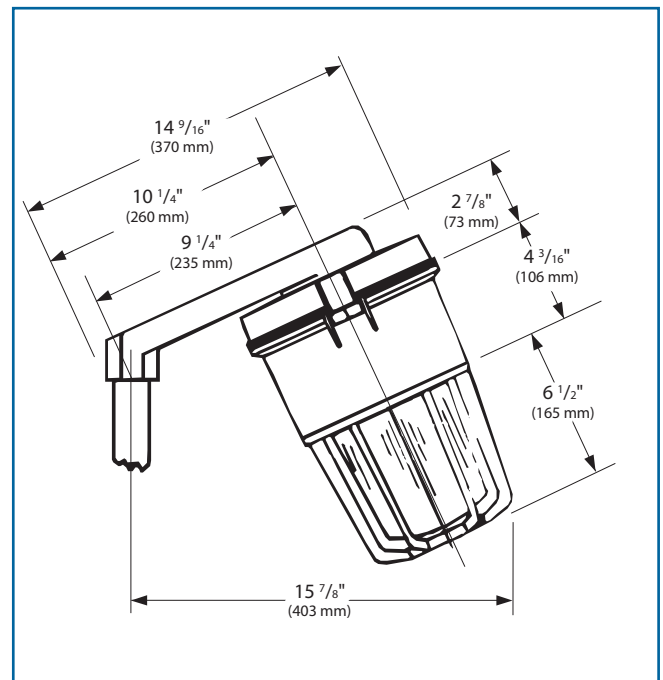
WALL MOUNT



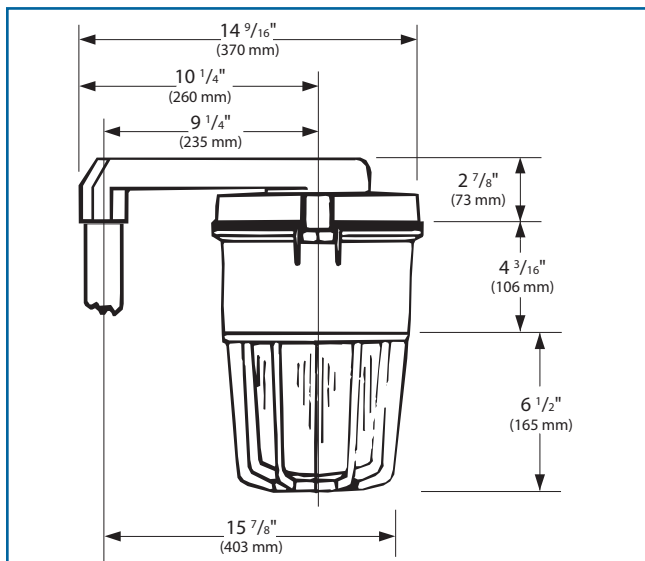
CEILING MOUNT



90° STANCHION MOUNT



25° STANCHION MOUNT



Hazlux

Hazlux 3 Induction Lighting Fixture

Now you can use the longest-life lamp available on the market.

In the typical process industry plant, reliable lighting is often required in hazardous, hard-to-reach places. Lamp replacement not only places employees at risk, but often requires the rental of expensive equipment such as scissor lifts.

With the introduction of Hazlux Induction Lighting Fixtures for hazardous areas (Class 1, Zone 2, Groups IIA, IIB, IIC, Exn R II T3 (restricted breathing*), Div. 2 Groups A, B, C, D) and non-hazardous areas, you can benefit from the longest lamp life available on the market. Hazlux® 3 HID lights are equipped with Philips® QL Induction lamps for the longest lamp life ever.

Over six times
the life of a
traditional Metal
Halide Lamp!

- 60,000+ hour lamp life
- Reduced maintenance/re-lamp operations
- Instant On-Instant Restrike at ambient temperature of 20°C
- Automatic switch-off in case of failure
- Warm white light
- Exceptional energy efficiency
- -40°C to 40°C ambient operating range
- Retrofits into existing Hazlux® 3 applications
- Acceptable for use with infrared remote control equipment operating at 36kHz
- RFI-approved for environments up to 1000 MHz (FCC part 18 reference luminaire)



Here's how you save maintenance costs with Hazlux® Induction Lighting:

- Eliminates the need for expensive HID options such as Quartz Auxiliary Lamps or Instant Restrike.
- Reduces risks to installers performing maintenance in hard-to-reach places.
- Reduces number of times necessary to de-energize entire circuit of lights for maintenance in hazardous locations.
- Increases efficiency by decreasing machine shutdown time.
- Lowers cost of expensive rental of scissor lifts or bucket trucks.

Hazlux® Induction Lighting reduces the cost of expensive maintenance of industrial lighting in hazardous locations.

*With appropriate fittings installed.



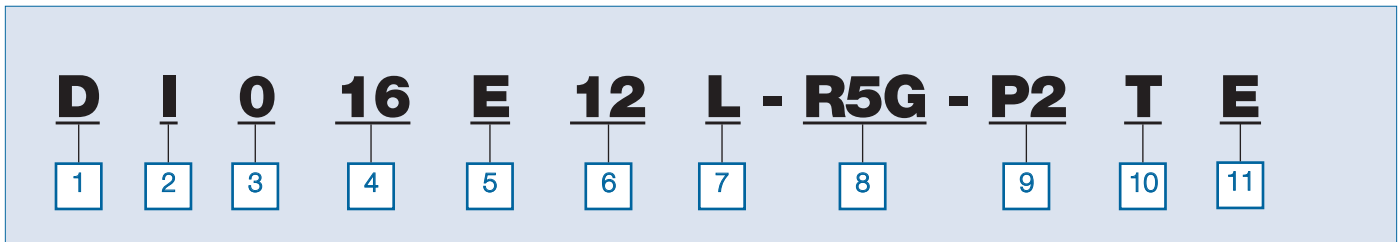
Induction



- Class I — Zone 2, Groups IIC, IIB, IIA,
Exn R II T3 (Restricted Breathing†)
- Division 2, Groups A, B, C and D
- Class II — Division 1 and 2, Groups E, F and G
- Class III
- UL Listed (UL1598) for Marine Locations
- NEMA 4X, IP66



Induction Lighting Fixture Catalogue Numbering System



1 — **Fixture Series**
D = Hazlux® 3 HID Fixture

2 — **Lamp Type**
I = Induction Lighting

3 — **Starter Circuit/Quartz Options**
0 = Standard Fixture

4 — **Lamp Wattage**
16 = 165 Watt Induction System

5 — **Ballast Circuit**
E = Electronic Ballast (Induction Fixture)

6 — **Voltage**
12 = 120V 60 Hz

Tank
L = Large Tank

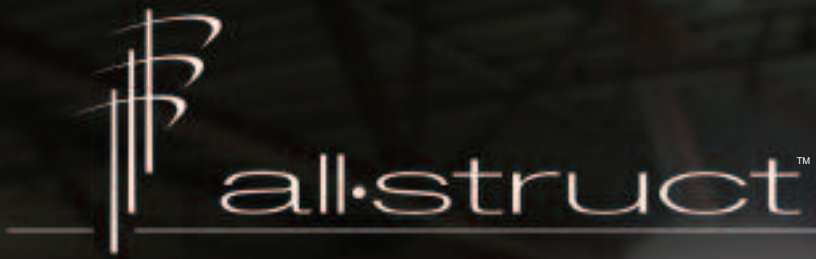
7 — **Optics and Guards**
R5G = Type V Refractor with Wire Guard
R5 = Type V Refractor

8 — **Mounting Style**
A2 = 3/4 in. Cone Top Pendant
A3 = 1 in. Cone Top Pendant Mount
B2 = 3/4 in. Wall Mount
B3 = 1" Wall Mount
C2 = 3/4 in. Ceiling Mount
C3 = 1" Ceiling Mount
F2 = 3/4 in. Flexible Pendant
F3 = 1" Flexible Pendant
HV1 = Hazvertor Ring Class I, Div 2, Zone 2
L4 = 1-1/4 in. Straight Stanchion
L5 = 1-1/2 in. Straight Stanchion
P2 = 3/4 in. Rigid Pendant
P3 = 1 in. Rigid Pendant
S4 = 1-1/4 in. 25 Degree Stanchion
S5 = 1-1/2 in. 25 Degree Stanchion

9 — **Special Options**
T = Haz-Cote™ Custom Corrosion Coating
(Consult Factory)

10 — **Hazpak® Options**
E = Hazpak with Induction Lamp

†With appropriate fittings installed



Quick Pole Assembly

Quick, Safe & Effective



SAFETY FIRST

- CSA certified product
- One person operation
- No ladders or lifts required
- Simplified maintenance
- Hot dipped galvanized steel and aluminum finishes
- Free's up catwalks and walkways during maintenance
- Epoxy coated finishes available

QUICK POLE ASSEMBLY

Features & Benefits

Certifications

- Suitable for 180km/h winds* as per AASHTO LTS-4 2001
- Steel pole treads are treated and protected to prevent galvanic reaction as per AASHTO LTS-4 2001
- CSA certified products



* Please contact your All-Struct™ sales representatives for fixture types and mounting height limitations.

Construction

- Sphere shaped, quick knuckle features round edges, preventing injuries and contaminant build-up of components
- The quick release mechanism is activated using one hand and one pull pin
- The quick pole assembly blocks at a 90° angle when the pull pin reaches the stopper
- All quick knuckle hardware is made of stainless steel
- All mounting brackets hardware are hot dip galvanized

Quick Pole Assembly

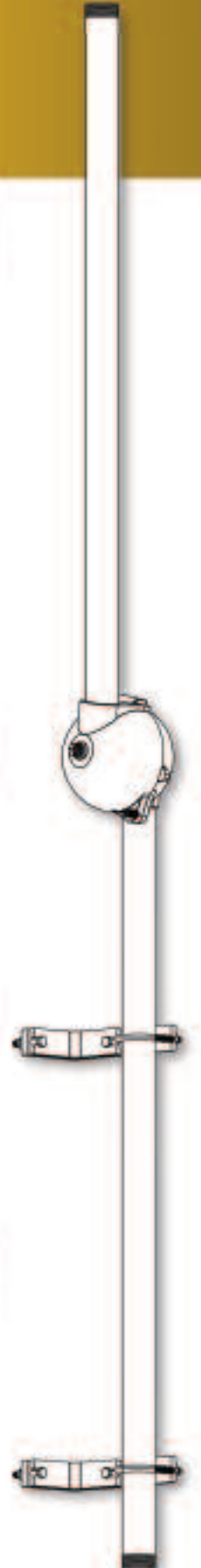
- Operates in any kind of weather
- Overall length is 10' (3 m)
- Pole trade size is 1-1/2" treaded NPT
- Top pole section is 70" (1.78 m) long
- Lower pole section is 50" (1.27 m) long

Quick Knuckle Assembly

- Rotates 180° (90° left and right) around knuckle's center axis allowing freedom of installation and easy adjustment
- Easy one man operation. After center bolt is loosen, use the pull pin to lock and unlock the assembly

Brackets

- Universal mounting for 2" to 3" angle iron railings
- Quick mounting brackets can be installed inside or outside the guardrails
- Quick knuckle assembly should be mounted above hand rail allowing the pole sections to rotate before final positioning



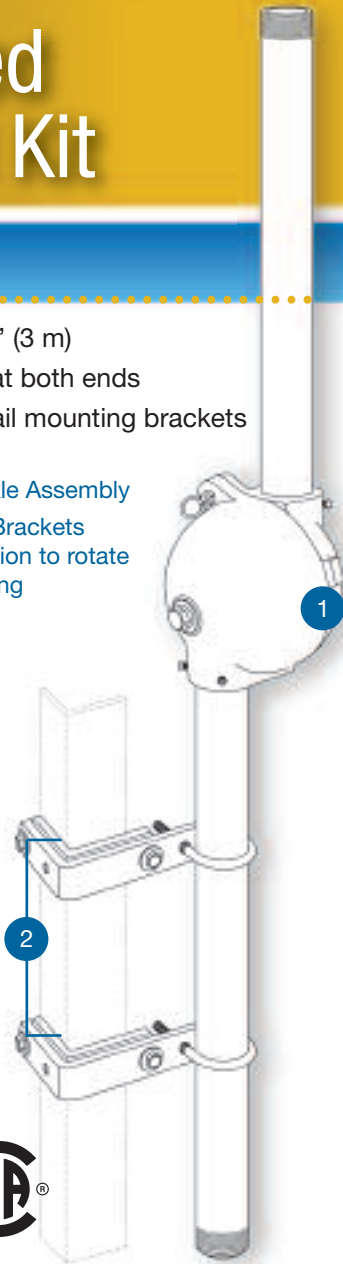
QUICK POLE ASSEMBLY

Galvanized Standard Kit

Description

- Overall height of 10' (3 m)
- 1-1/2" NPT threads at both ends
- Installed with two rail mounting brackets

1. Rotating Quick Knuckle Assembly
2. Angle Iron Mounting Brackets allowing the pole section to rotate before final positioning



Cat. No.:
Q-P-5-10

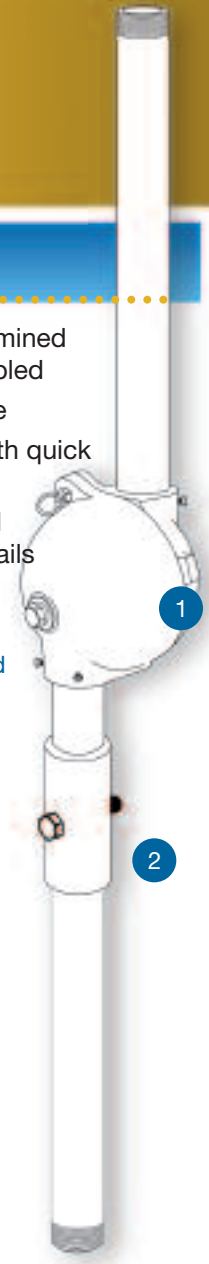


Retrofit Kit

Description

- Overall maximum and predetermined height of 10' (3 m) once assembled
- Can be adapted to existing pole
- Upgrades existing assembly with quick and easy maintenance features
- See instruction sheets provided with product for installation details

1. Rotating Quick Knuckle Assembly
2. Tapered Adaptor, fits over Standard 1-1/4" or 1-1/2" NPT Pipe



Cat. No.:
RQ-P-5-10



All All-Struct™ products are assembled or manufactured in Thomas & Betts ISO 9001 certified facilities and are designed to CSA and/or AASHTO standards.

WARRANTY: Thomas & Betts warrants its products to be free from defects in materials and workmanship for a period of one year from the invoice date under normal use and service. All goods found to be defective within this period after verification by Thomas & Betts shall be replaced or repaired by Thomas & Betts free of charge.

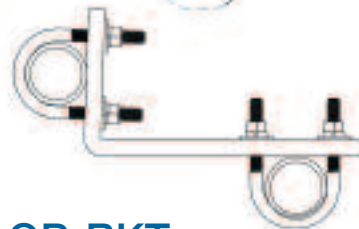
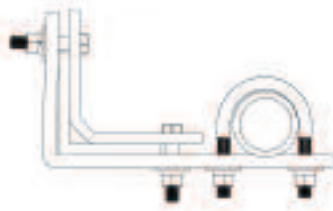
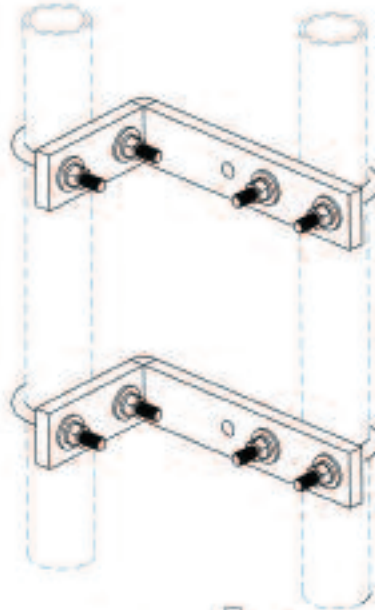
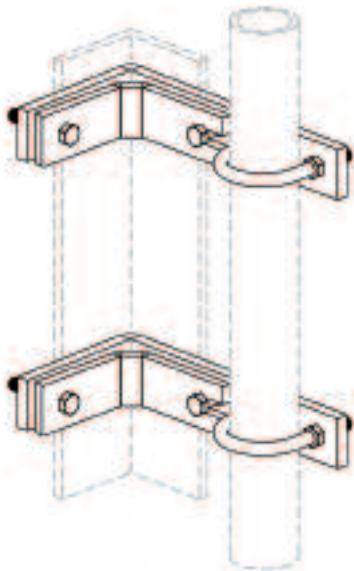
The warranty excludes fatigue failure or similar phenomena resulting from vibration or resonance associated with improper installation, overloading, misuse, abuse or neglect. Further, labor required to remove and/or reinstall original or replacement products shall be the responsibility of the customer.

In addition, this warranty does not cover alterations, modifications, or additions unless the change is acknowledged and accepted, in advance in writing, by Thomas & Betts.

E.P.A.: The allowable effective projected areas listed for this product are intended to be for hazardous location luminaires. For other type of applications (cameras, banner arms, wiring, signs or any other type of product), please contact your All-Struct™ sales representative for assistance in selecting the correct structure or product.

QUICK POLE ASSEMBLY

Universal Bracket Kit



Cat. No.:
AMB-QP-BKT

Cat. No.:
RMB-QP-BKT

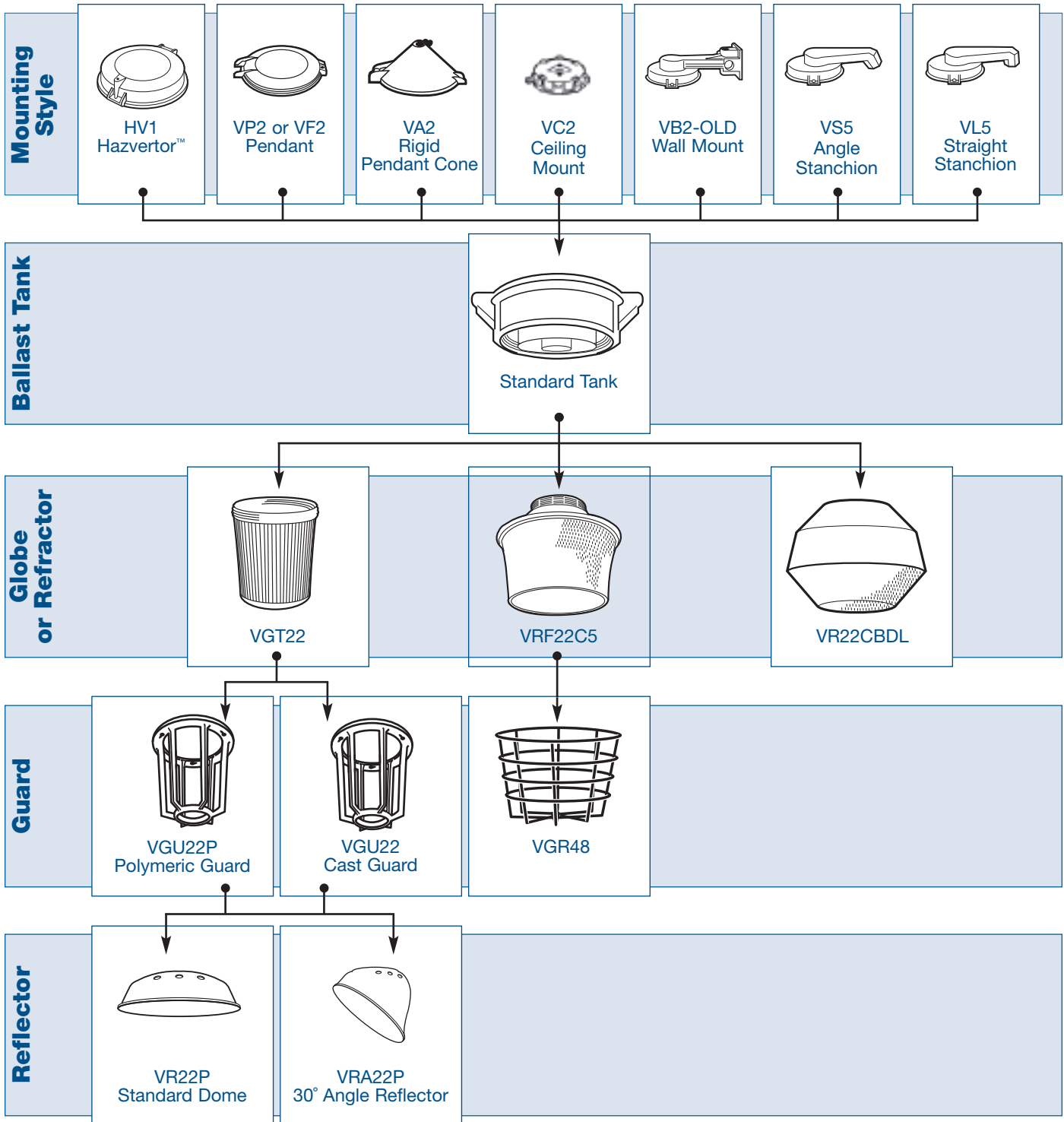


Description

- Quick bolt-on installation, no welding or drilling
- Can be attached to angle iron guardrails up to 3"
- Can be installed on tubular structures less than 2" O.D.
- Allows the pole sections to rotate before final positioning

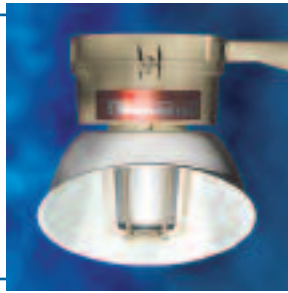
Hazlux

Hazlux 3, Standard Housing, Fixture Assembly Sample





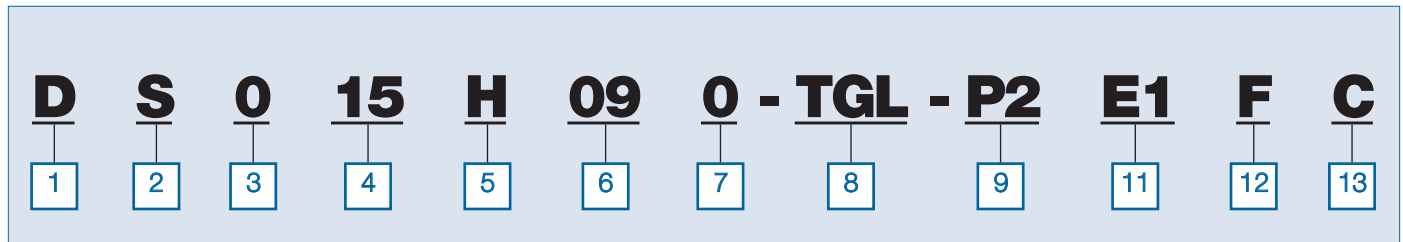
Standard Housing



- Class I — Zone 2, Groups IIC, IIB, IIA, Exn R II T3 (Restricted Breathing†)
- Division 2, Groups A, B, C and D
- Class II — Division 1 and 2, Groups E, F and G
- Class III
- UL Listed (UL1598) for Marine Locations
- NEMA 4X, IP66



Hazlux 3 Standard Housing Catalogue Numbering System



1 — Fixture Series

D = Hazlux® 3 Fixture

2 — Lamp Type

S = High Pressure Sodium
H = Metal Halide

3 — Starter Circuit/Quartz Options

O = Standard Fixture
P = Pulse Start (MH Only)
Q = Quartz Auxiliary Option (Not Hazardous Rated)
R = Instant Restart (HPS Only)
J = Auto Shutoff Starter (HPS Only)

4 — Lamp Wattage

05 = 50 Watts **17** = 175 Watts
07 = 70 Watts **20** = 200 Watts
10 = 100 Watts **25** = 250 Watts (MH Only)
15 = 150 Watts

5 — Ballast Circuit

H = High Reactance
C = Constant Wattage Autotransformer (CWA)
(All ballasts high power factor.)
I = Constant Wattage Isolated (CWI)

6 — Voltage/Frequency

09 = 120/277/347V, 60Hz
12 = 120V, 60Hz
24 = 240V, 60Hz
27 = 277V, 60Hz
28 = 208V, 60Hz
34 = 347V, 60Hz
225 = 220V, 50Hz
245 = 240V, 50Hz

7 — Ballast Housing Style

0 = Standard Housing (150W HPS, 250W MH)

8 — Optical Assembly Options

TG = Thermal Shock Resistant Globe
TGC = TG With Cast Aluminium Guard
TGL = TG with Polymeric Guard
SG = Tuffskin® Coated Globe
SGL = SG with Polymeric Guard
R2 = 12 in. Glass Refractor, Type II
R5 = 12 in. Glass Refractor, Type V
R2G = R2 with Wire Guard
R5G = R5 with Wire Guard
CBDL = Closed Bottom Refractor with Polycarbonate Lens

9 — Mounting Style

A2 = 3/4 in. Cone Top Pendant
A3 = 1 in. Cone Top Pendant
B2 = 3/4 in. Wall Mount
B3 = 1 in. Wall Mount
C2 = 3/4 in. Ceiling Mount
C3 = 1 in. Ceiling Mount
F2 = 3/4" in. Flexible Pendant
F3 = 1 in. Flexible Pendant
HV1 = Hazvertor™ Ring - Class I, Div. 2, Zone 2
L4 = 1-1/4 in. Straight Stanchion
L5 = 1-1/2 in. Straight Stanchion
P2 = 3/4 in. Rigid Pendant
P3 = 1 in. Rigid Pendant
S4 = 1-1/4 in. 25° Angle Stanchion
S5 = 1-1/2 in. 25° Angle Stanchion

10 — Special Options

T = Haz-Cote™ Custom Corrosion Coating
(Consult Factory)

11 — Hazpak® Options

E = Hazpak with Clear Lamp
E1 = Hazpak Clear Lamp, Dome Reflector
E2 = Hazpak, Clear Lamp, Angle Reflector
D = Hazpak with Dual Arc Lamp
D1 = Hazpak, Dual Arc Lamp, Dome Reflector
D2 = Hazpak Dual Arc Lamp, Angle Reflector
U = Hazpak No Lamp

12 — Fusing Options *

F = Single Fuse Block with Fuse
FF = Double Fuse Block with Fuse

13 — CSA Certification

C = CSA Nameplate





*Not CSA certified in hazardous locations

†With appropriate fittings installed

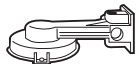



Hazlux

Hazlux 3, Standard Housing Accessories

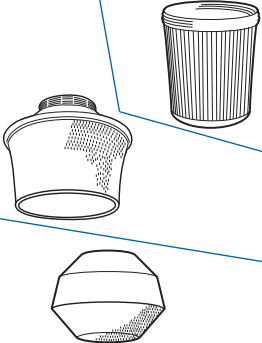
OUTLET BOXES

MOUNTING STYLE	CAT. NO.	CONDUIT HUB SIZE
Rigid Pendant 	VP2 VP3	3/4" 1"
Cone Pendant 	VA2 VA3	3/4" 1"
Flexible Pendant 	VF2 VF3	3/4" 1"
Ceiling Mount 	VC2 VC3	3/4" 1"

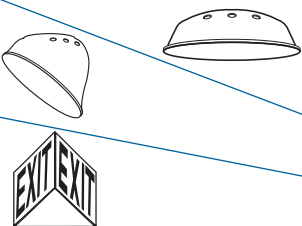
OUTLET BOXES

MOUNTING STYLE	CAT. NO.	CONDUIT HUB SIZE
Wall Mount 	VB2 VB3	3/4" 1"
Angle Stanchion 	VS4 VS5	3/4" 1"
Straight Stanchion 	VL4 VL5	3/4" 1"
Adaptor Ring 	HV1	N.A.

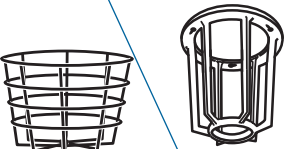
GLOBES OR REFRACTORS

	CATALOGUE NO.	DESCRIPTION
	VGT22	5-1/2" dia. Heat Resistant Globe (250W max.)
	VGT22TS	5-1/2" dia. Heat Resistant Globe (250W max.) coated with Tuff®-Skin®
	VRF22C2	12" dia. IES Type II Refractor, 5-1/2" thread
	VRF22C5	12" dia. IES Type V Refractor, 5-1/2" thread
VR22CBDL	Low Bay Refractor with Plastic Lens	

REFLECTORS OR EXIT SIGN

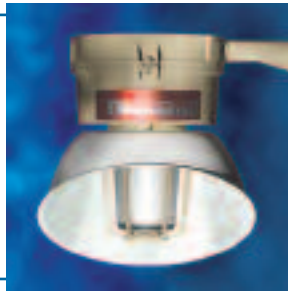
	CATALOGUE NO.	DESCRIPTION
	VR22P	Standard Dome, Fiberglass Reinforced Polyester
	VRA22P	30° Angle Reflector, Fiberglass Reinforced Polyester
VRE22	Three Sided Exit Sign	

GUARDS

	CATALOGUE NO.	DESCRIPTION
	VGU22P	Polymeric Guard for VGT22 Series Globe
	VGU22	Cast Guard for VGT22 Series Globe
VGR48	Steel Wire Guard for All VRF Series 12" Refractors	



Standard Housing

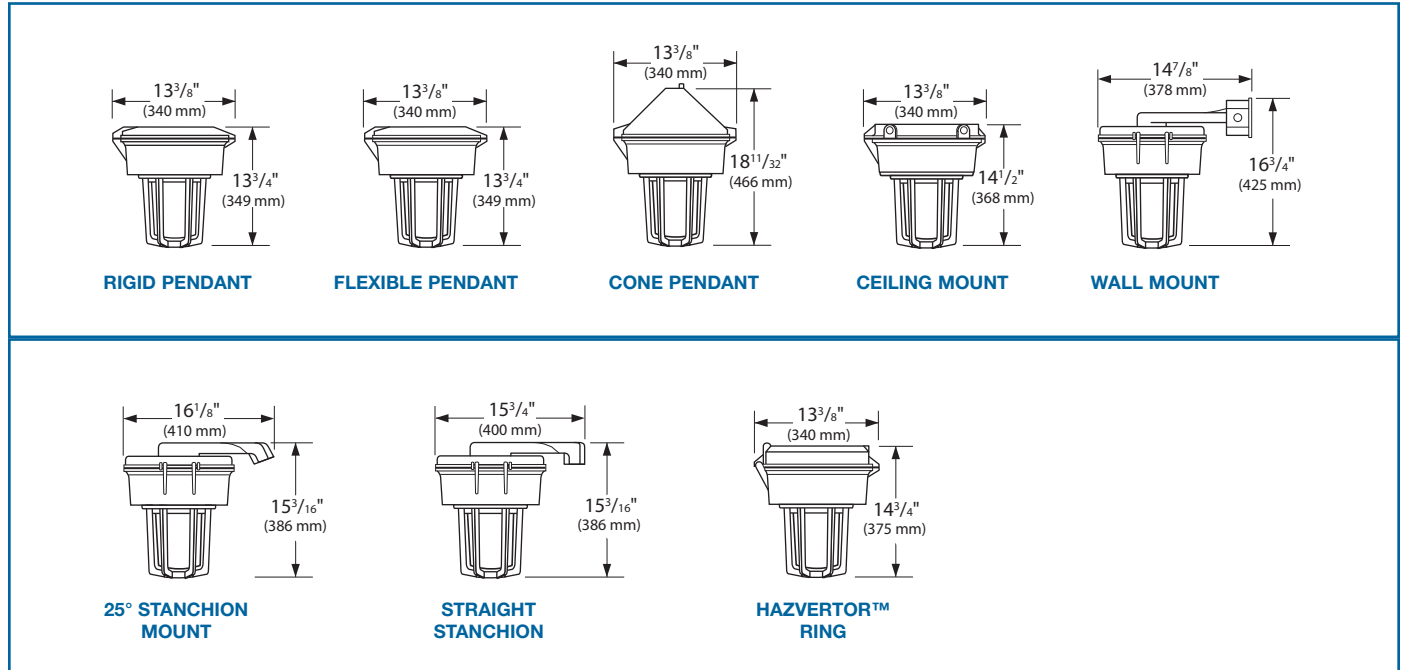


- Class I — Zone 2, Groups IIC, IIB, IIA, Exn R II T3 (Restricted Breathing*)
- Division 2, Groups A, B, C and D
- Class II — Division 1 and 2, Groups E, F and G
- Class III
- UL Listed (UL1598) for Marine Locations
- NEMA 4X, IP66

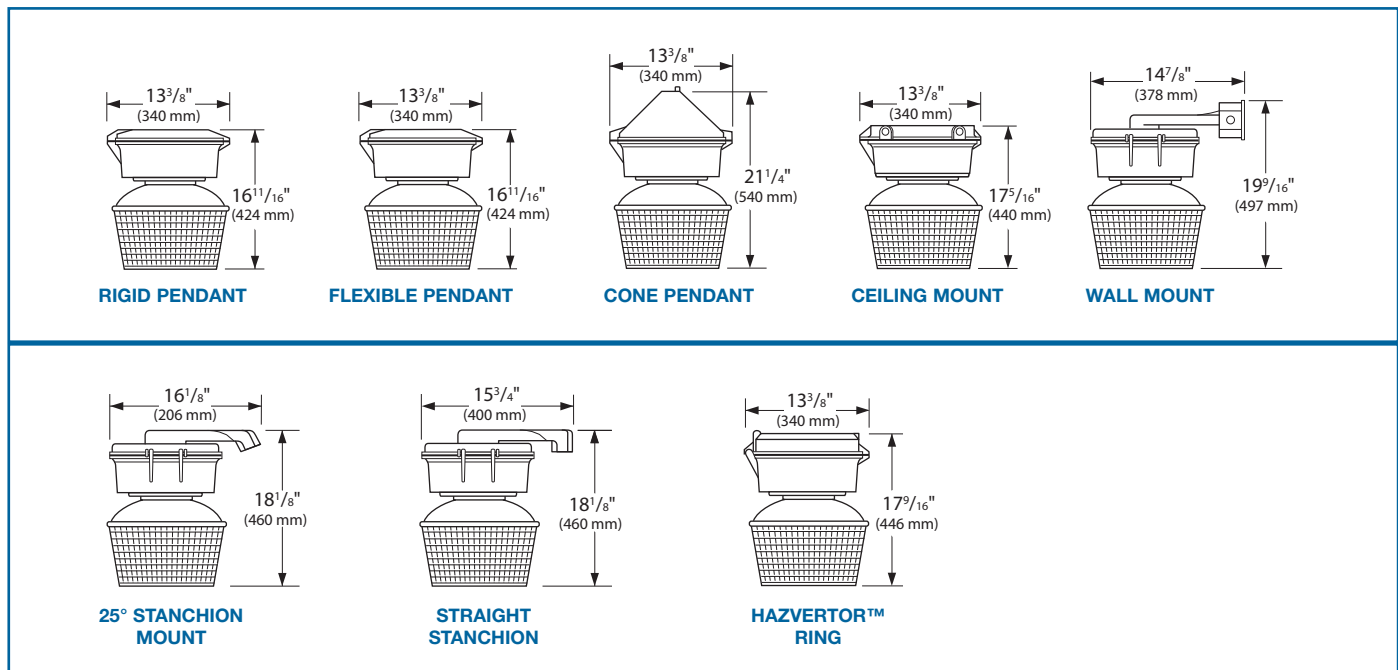


Hazlux 3, Standard Housing Dimensions

STANDARD BALLAST HOUSING WITH GLOBE AND GUARD



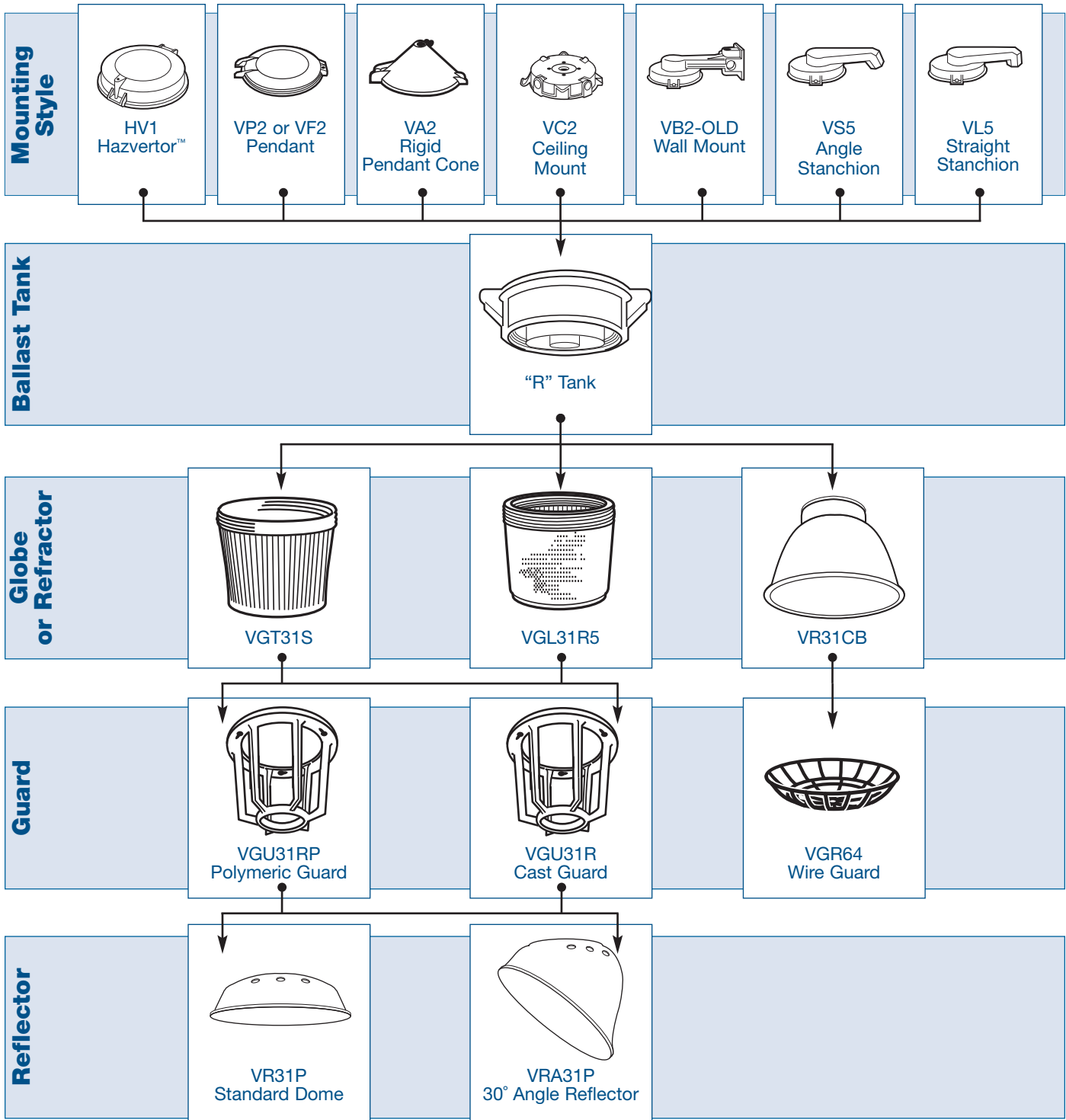
STANDARD BALLAST HOUSING WITH 12" REFRACTOR AND GUARD

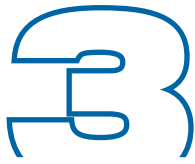


*With appropriate fittings installed

Hazlux

Hazlux 3, Refr. Globe Housing, Fixture Assembly Sample





Refractor Globe Housing

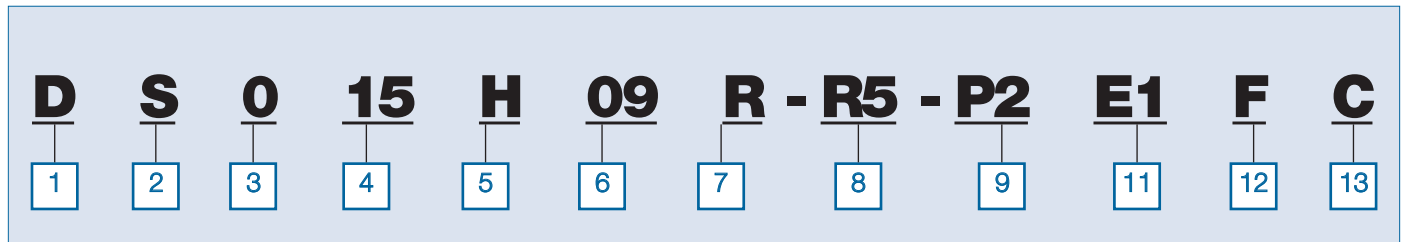


Class I — Zone 2, Groups IIC, IIB, IIA,
Exn R II T3 (Restricted Breathing†)
— Division 2, Groups A, B, C and D
Class II — Division 1 and 2, Groups E, F and G
Class III

•UL Listed (UL1598) for Marine Locations
•NEMA 4X, IP66



Hazlux 3 Refractor Globe Housing Cat. Numbering System



1 — Fixture Series

D = Hazlux® 3 Fixture

2 — Lamp Type

S = High Pressure Sodium
H = Metal Halide

3 — Starter Circuit/Quartz Options

O = Standard Fixture
P = Pulse Start (MH Only)
Q = Quartz Auxiliary Option (Not Hazardous Rated)
R = Instant Restart (HPS Only)
J = Auto Shutoff Starter (HPS Only)

4 — Lamp Wattage

05 = 50 Watts **17** = 175 Watts (MH Only)
07 = 70 Watts **25** = 250 Watts (MH Only)
10 = 100 Watts
15 = 150 Watts

5 — Ballast Circuit

H = High Reactance
C = Constant Wattage Autotransformer (CWA)
(All ballasts high power factor.)
I = Constant Wattage Isolated (CWI)

6 — Voltage/Frequency

09 = 120/277/347V, 60Hz
12 = 120V, 60Hz
24 = 240V, 60Hz
27 = 277V, 60Hz
28 = 208V, 60Hz
34 = 347V, 60Hz
225 = 220V, 50Hz
245 = 240V, 50Hz

7 — Ballast Housing Style

R = Refractor Globe Housing
(150W HPS, 250W MH)

8 — Optical Assembly Options

R1 = 7-3/4 in. Refractor Globe, Type I
R3 = 7-3/4 in. Refractor Globe, Type III
R5 = 7-3/4 in. Refractor Globe, Type V
R1P = R1 with Polymeric Guard
R3P = R3 with Polymeric Guard
R5P = R5 with Polymeric Guard

8 — Optical Assembly Options (Cont'd)

TG = 7-3/4 in. Thermal Shock Resistant Globe
TGP = TG with Polymeric Guard
RCB = Enclosed High Bay Reflector
RCG = RCB with Steel Wire Guard

9 — Mounting Style

A2 = 3/4 in. Cone Top Pendant
A3 = 1 in. Cone Top Pendant
B2 = 3/4 in. Wall Mount
B3 = 1 in. Wall Mount
C2 = 3/4 in. Ceiling Mount
C3 = 1 in. Ceiling Mount
F2 = 3/4 in. Flexible Pendant
F3 = 1 in. Flexible Pendant
HV1 = Hazvertor™ Ring - Class I, Div. 2, Zone 2
L4 = 1-1/4 in. Straight Stanchion
L5 = 1-1/2 in. Straight Stanchion
P2 = 3/4 in. Rigid Pendant
P3 = 1 in. Rigid Pendant
S4 = 1-1/4 in. 25° Angle Stanchion
S5 = 1-1/2 in. 25° Angle Stanchion

10 — Special Options

T = Haz-Cote™ Custom Corrosion Coating
(Consult Factory)

11 — Hazpak Options

E = Hazpak with Clear Lamp
E1 = Hazpak, Clear Lamp, Dome Reflector
E2 = Hazpak, Clear Lamp, Angle Reflector
D = Hazpak with Dual Arc Lamp
D1 = Hazpak Dual Arc Lamp, Dome Reflector
D2 = Hazpak, Dual Arc Lamp, Angle Reflector
U = Hazpak, No Lamp

12 — Fusing Options *

F = Single Fuse Block with Fuse
FF = Double Fuse Block with Fuse

13 — CSA Certification

C = CSA Nameplate

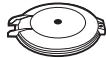

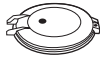

*Not CSA certified in hazardous locations

†With appropriate fittings installed

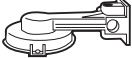



Hazlux

Hazlux 3, Refractor Globe Housing Accessories

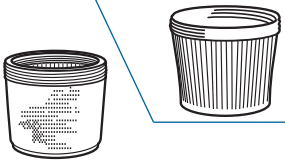

OUTLET BOXES

MOUNTING STYLE	CAT. NO.	CONDUIT HUB SIZE
Rigid Pendant 	VP2 VP3	3/4" 1"
Cone Pendant 	VA2 VA3	3/4" 1"
Flexible Pendant 	VF2 VF3	3/4" 1"
Ceiling Mount 	VC2 VC3	3/4" 1"





OUTLET BOXES

MOUNTING STYLE	CAT. NO.	CONDUIT HUB SIZE
Wall Mount 	VB2 VB3	3/4" 1"
Angle Stanchion 	VS4 VS5	3/4" 1"
Straight Stanchion 	VL4 VL5	3/4" 1"
Adaptor Ring 	HV1	N.A.




GLOBES OR REFRACTORS

	CATALOGUE NO.	DESCRIPTION
	VGT31S	7-3/4" dia. Heat Resistant Globe (250W max.)
	VGT31TS	7-3/4" dia. Heat Resistant Globe (250W max.) coated with Tuff®-Skin®
	VGL31R1	7-3/4" dia. IES Type I Refractor Globe (250W max.)
	VGL31R3	7-3/4" dia. IES Type III Refractor Globe (250W max.)
	VGL31R5	7-3/4" dia. IES Type V Refractor Globe (250W max.)
	VRF31C2	12" dia. IES Type II Refractor, 7-3/4 Thread
	VRF31C5	12" dia. IES Type V Refractor, 7-3/4 Thread

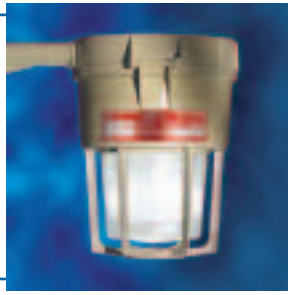
REFLECTORS

	CATALOGUE NO.	DESCRIPTION
	VR31P	Standard Dome, Fiberglass Reinforced Polyester
	VRD31	Deep Dome, Anodized Aluminum
	VR31CB	Enclosed High Bay, Anodized Aluminum with Lens
	VRA31P	30° Angle Reflector, Fiberglass Reinforced Polyester

GUARDS

	CATALOGUE NO.	DESCRIPTION
	VGU31RP	Polymeric Guard for VGT31S Globe and VGL31R Series Refractor Globes
	VGU31R	Cast Alum. Guard for VGT31S Globe and VGL31R Series Refractor Globes
	VGR48	Steel Wire Guard for All VRF Series 12" Refractors
	VGR64	Steel Wire Guard for VR31CB Enclosed High Bay Reflector

Refractor Globe Housing

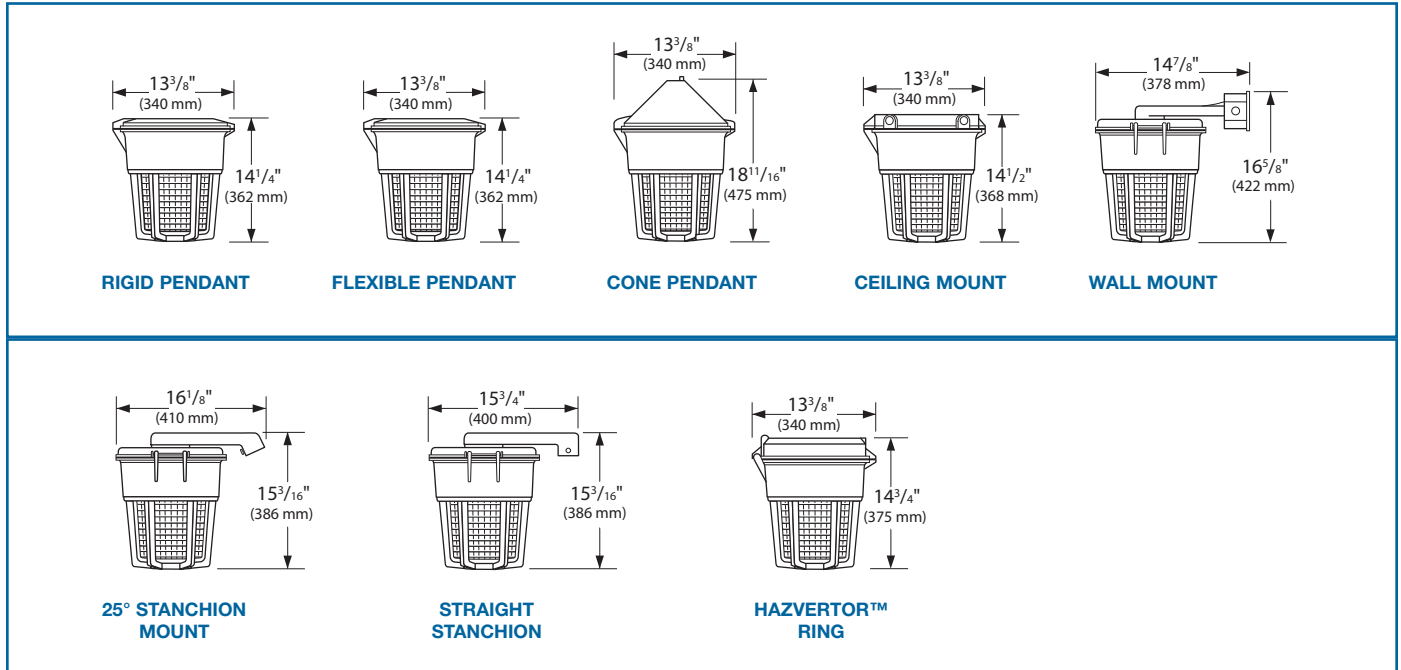


- Class I — Zone 2, Groups IIC, IIB, IIA,
Exn R II T3 (Restricted Breathing*)
- Division 2, Groups A, B, C and D
- Class II — Division 1 and 2, Groups E, F and G
- Class III
- UL Listed (UL1598) for Marine Locations
- NEMA 4X, IP66

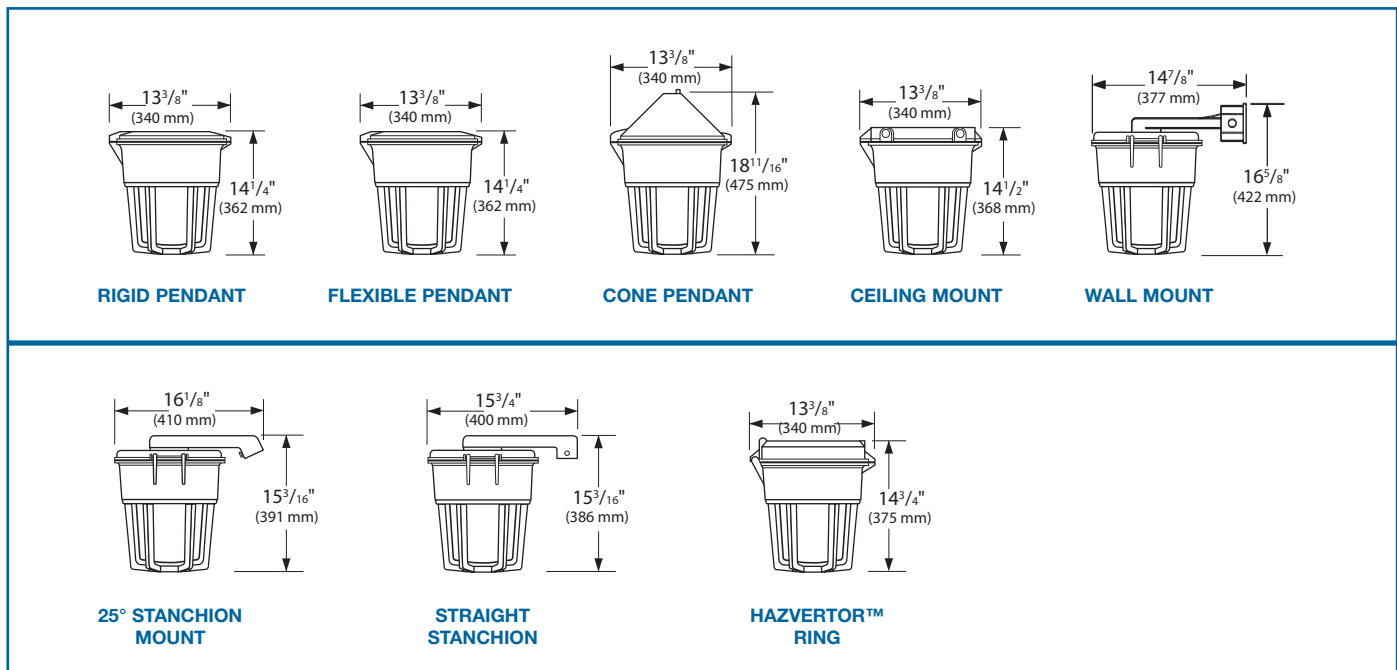


Hazlux 3 Refractor Globe Housing Dimensions

R-TANK HOUSING WITH 7-3/4" REFRACTOR AND GUARD



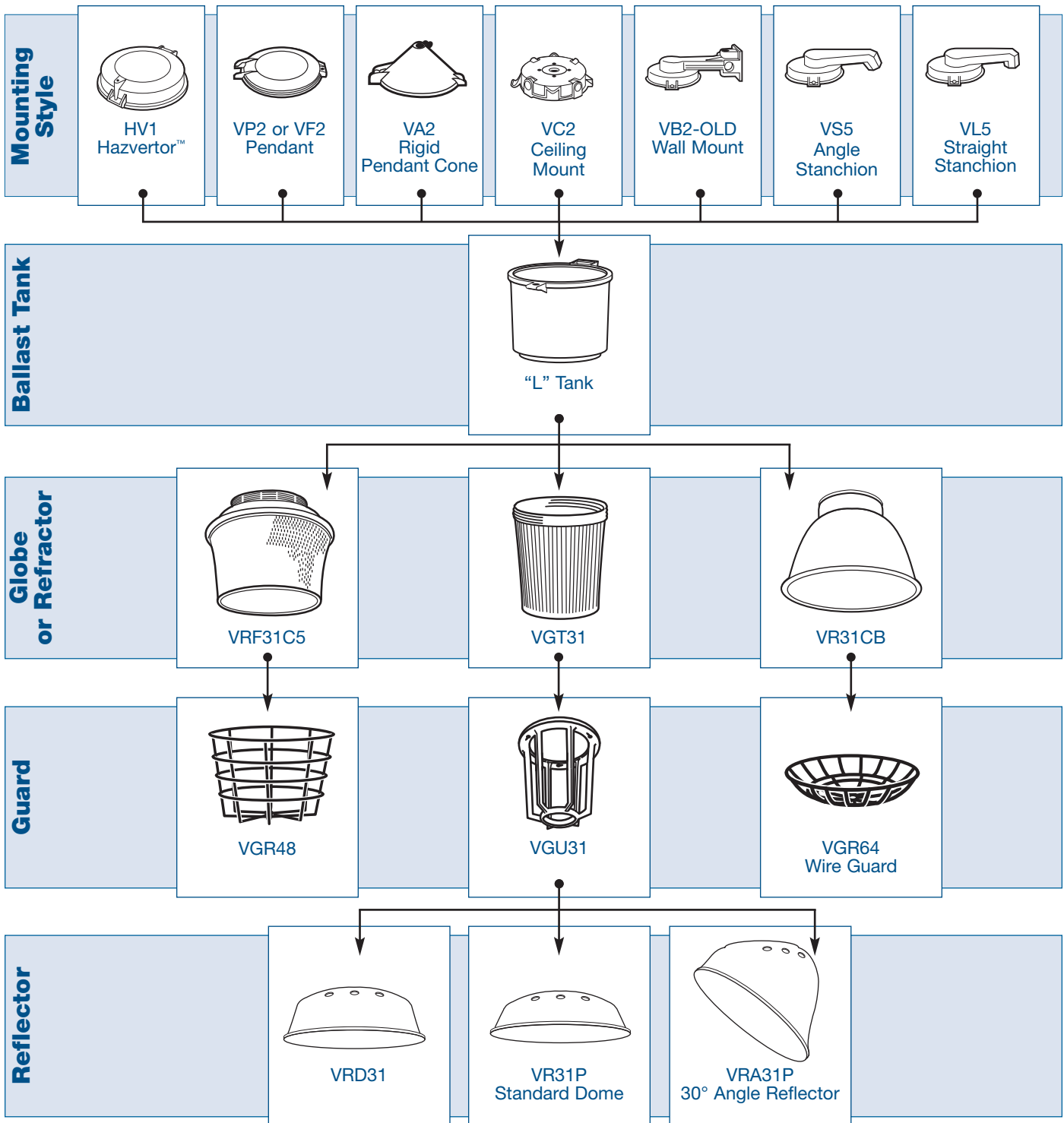
R-TANK HOUSING WITH 7-3/4" GLOBE AND GUARD



*With appropriate fittings installed

Hazlux

Hazlux 3, Large Housing, Fixture Assembly Sample



Large Housing

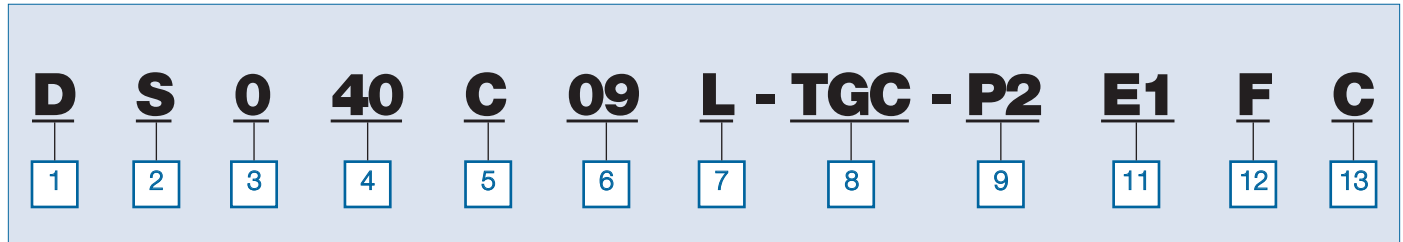


Class I — Zone 2, Groups IIC, IIB, IIA,
Exn R II T3 (Restricted Breathing†)
— Division 2, Groups A, B, C and D
Class II — Division 1 and 2, Groups E, F and G
Class III

•UL Listed (UL1598) for Marine Locations
•NEMA 4X, IP66



Hazlux 3 Large Housing Catalogue Numbering System



- 1** — **Fixture Series**
D = Hazlux® 3 Fixture
- 2** — **Lamp Type**
S = High Pressure Sodium
H = Metal Halide
- 3** — **Starter Circuit/Quartz Options**
O = Standard Fixture
P = Pulse Start (MH Only)
Q = Quartz Auxiliary Option (Not Hazardous Rated)
R = Instant Restart (HPS Only)
J = Auto Shutoff Starter (HPS Only)
- 4** — **Lamp Wattage**
20 = 200 Watts
25 = 250 Watts
32 = 320 Watts (MH PS Only)
40 = 400 Watts
- 5** — **Ballast Circuit**
H = High Reactance
C = Constant Wattage Autotransformer
(All ballasts high power factor.)
I = Constant Wattage Isolated (CWI)
- 6** — **Voltage/Frequency**
09 = 120/277/347V, 60Hz
12 = 120V, 60Hz
24 = 240V, 60Hz
27 = 277V, 60Hz
28 = 208V, 60Hz
34 = 347V, 60Hz
225 = 220V, 50Hz
245 = 240V, 50Hz
- 7** — **Ballast Housing Style**
L = Large Housing (200-400W HPS; 400W MH)
- 8** — **Optics and Guards**
R2 = 12 in. Glass Refractor Globe, Type II
R5 = 12 in. Refractor Globe, Type V
R2G = R2 with Steel Wire Guard
R5G = R5 with Steel Wire Guard
RCB = Enclosed High Bay Reflector
R5P = RCB with Steel Wire Guard
- 8** — **Optics and Guards (Cont'd)**
TG = 7-3/4 in. Thermal Shock Resistant Globe
TGC = TG with Cast Aluminum Guard
SG = Tuffskin® Coated Globe
SGC = SG with Cast Aluminum Guard
- 9** — **Mounting Style**
A2 = 3/4 in. Cone Top Pendant
A3 = 1 in. Cone Top Pendant
B2 = 3/4 in. Wall Mount
B3 = 1 in. Wall Mount
C2 = 3/4 in. Ceiling Mount
C3 = 1 in. Ceiling Mount
F2 = 3/4 in. Flexible Pendant
F3 = 1 in. Flexible Pendant
HV1 = Hazvertor™ Ring - Class I, Div. 2, Zone 2
L4 = 1-1/4 in. Straight Stanchion
L5 = 1-1/2 in. Straight Stanchion
P2 = 3/4 in. Rigid Pendant
P3 = 1 in. Rigid Pendant
S4 = 1-1/4 in. 25° Angle Stanchion
S5 = 1-1/2 in. 25° Angle Stanchion
- 10** — **Special Options**
T = Haz-Cote™ Custom Corrosion Coating
(Consult Factory)
- 11** — **Hazpak® Options**
E = Hazpak with Clear Lamp
E1 = Hazpak, Clear Lamp, Dome Reflector
E2 = Hazpak Clear Lamp, Angle Reflector
D = Hazpak with Dual Arc Lamp
D1 = Hazpak, Dual Arc Lamp, Dome Reflector
D2 = Hazpak, Dual Arc Lamp, Angle Reflector
U = Hazpak, No Lamp
- 12** — **Fusing Options ***
F = Single Fuse Block with Fuse
FF = Double Fuse Block with Fuse
- 13** — **CSA Certification**
C = CSA Nameplate





*Not CSA certified in hazardous locations

†With appropriate fittings installed

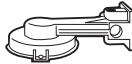



Hazlux

Hazlux 3, Large Housing Accessories

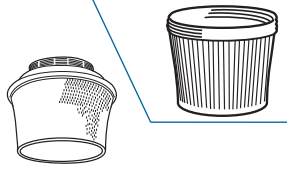
OUTLET BOXES

MOUNTING STYLE	CAT. NO.	CONDUIT HUB SIZE
Rigid Pendant 	VP2 VP3	3/4" 1"
Cone Pendant 	VA2 VA3	3/4" 1"
Flexible Pendant 	VF2 VF3	3/4" 1"
Ceiling Mount 	VC2 VC3	3/4" 1"

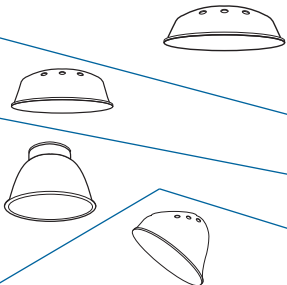
OUTLET BOXES

MOUNTING STYLE	CAT. NO.	CONDUIT HUB SIZE
Wall Mount 	VB2 VB3	3/4" 1"
Angle Stanchion 	VS4 VS5	3/4" 1"
Straight Stanchion 	VL4 VL5	3/4" 1"
Adaptor Ring 	HV1	N.A.

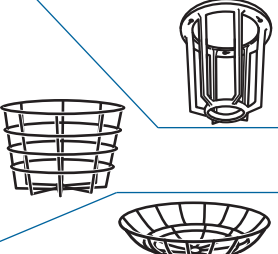
GLOBES OR REFRACTORS

	CATALOGUE NO.	DESCRIPTION
	VGT31	7-3/4" dia. Heat Resistant Globe (400W max.)
	VGT31TS	7-3/4" dia. Heat Resistant Globe (400W max.) coated with Tuff®-Skin®
	VRF31C2	12" dia. IES Type II Refractor, 7-3/4 Thread
	VRF31C5	12" dia. IES Type V Refractor, 7-3/4 Thread

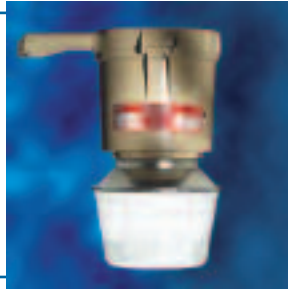
REFLECTORS

	CATALOGUE NO.	DESCRIPTION
	VR31P	Standard Dome, Fiberglass Reinforced Polyester
	VRD31	Deep Dome, Anodized Aluminum
	VR31CB	Enclosed High Bay, Anodized Aluminum with Lens
	VRA31P	30° Angle Reflector, Fiberglass Reinforced Polyester

GUARDS

	CATALOGUE NO.	DESCRIPTION
	VGU31	Cast Aluminum Guard for VGT31 Globe
	VGR48	Steel Wire Guard for All VRF Series 12" Refractors
	VGR64	Steel Wire Guard for VR31CB Enclosed High Bay Reflector

Large Housing

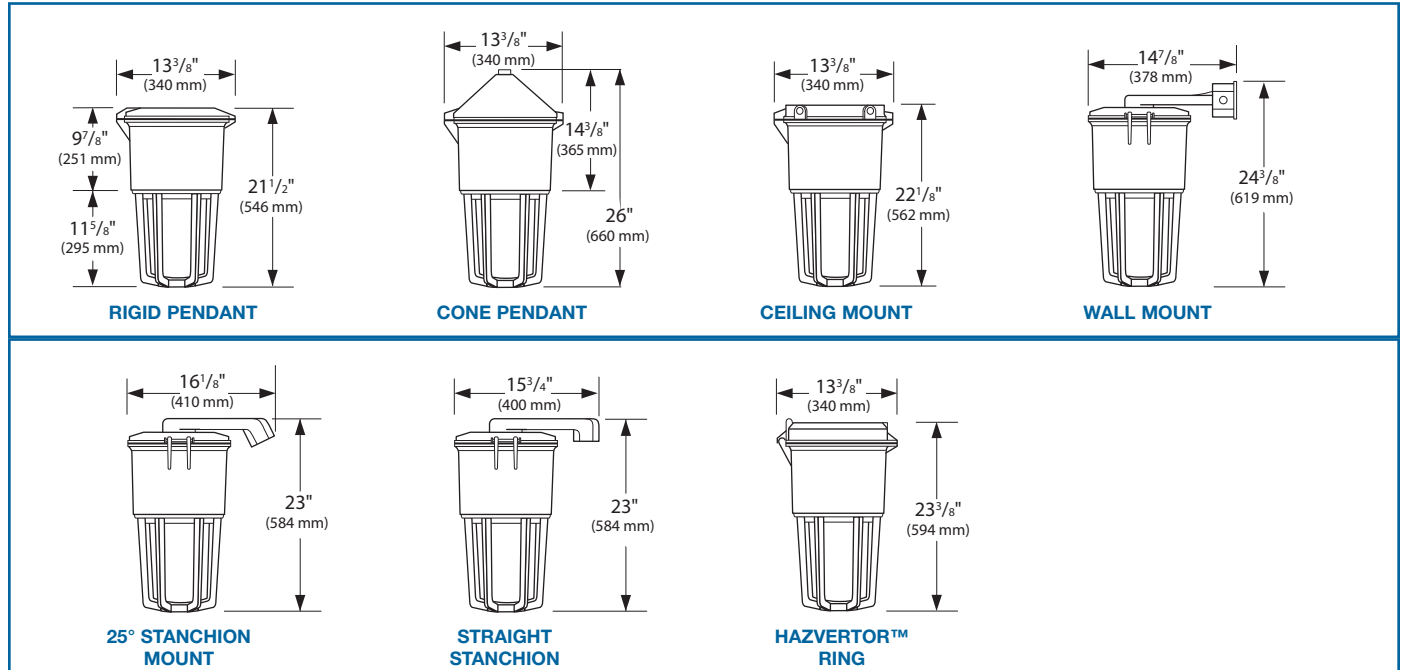


- Class I — Zone 2, Groups IIC, IIB, IIA, Exn R II T3 (Restricted Breathing*)
- Division 2, Groups A, B, C and D
- Class II — Division 1 and 2, Groups E, F and G
- Class III
- UL Listed (UL1598) for Marine Locations
- NEMA 4X, IP66

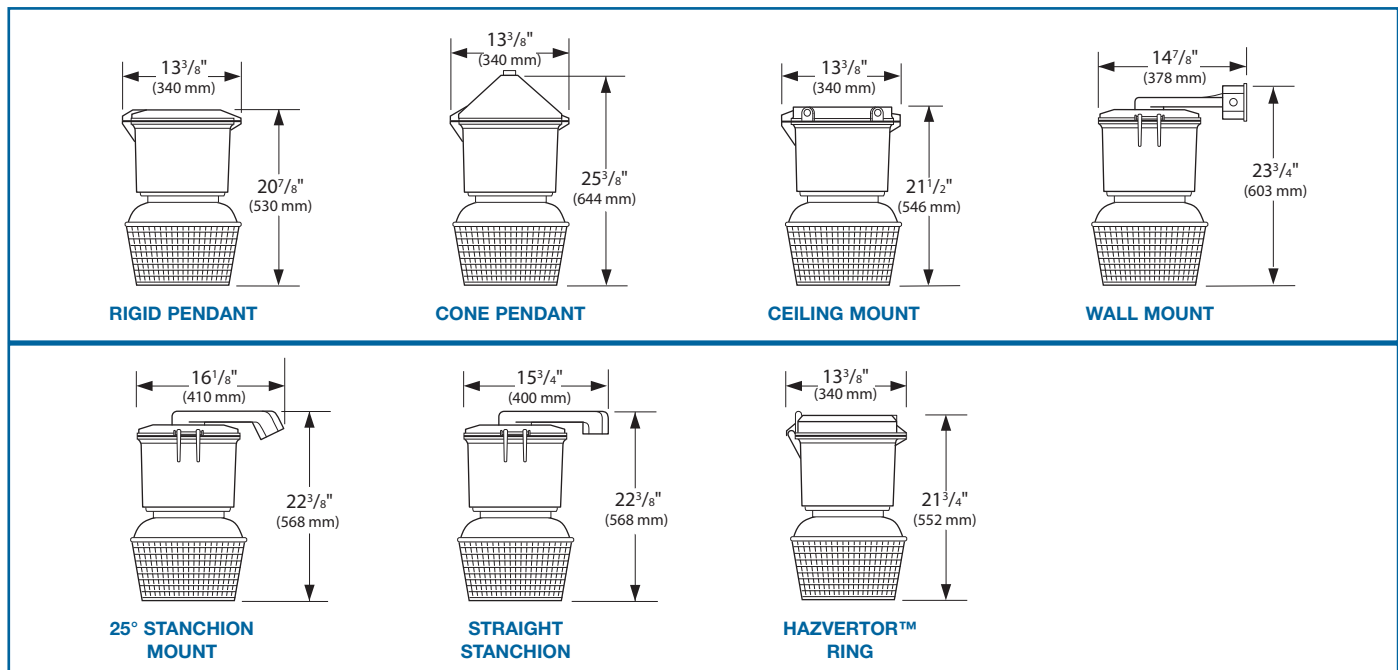


Hazlux 3, Large Housing Dimensions

LARGE BALLAST HOUSING WITH GLOBE AND GUARD



LARGE BALLAST HOUSING WITH 12" REFRACTOR AND GLOBE



*With appropriate fittings installed