

M1 / 1

Class I — Zone 2, Groups IIC, IIB, IIA,
— Division 2, Groups A, B, C and D



- **UL Listed (UL1598) for Marine Locations**
- **NEMA 4X, IP66**

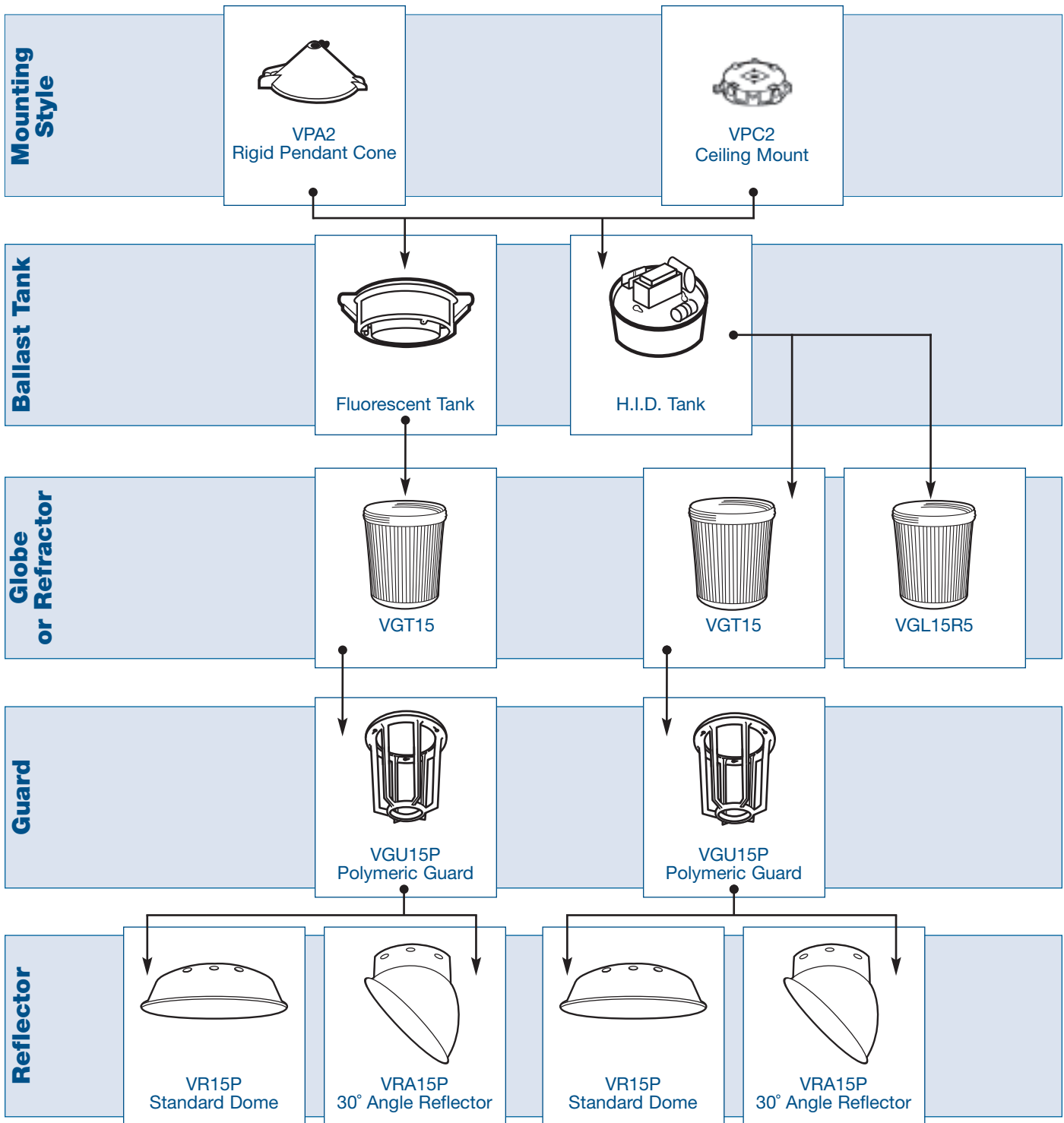
Hazlux® **M1** medium base and Hazlux® **1** mogul base polymeric lighting fixtures are certified for use in Class I, Zone 2 and Division 2 locations and indoor or outdoor locations where lighting fixtures are exposed to corrosion accelerators such as dust, rain, hose-directed water and ice formation.

- Fiberglass-reinforced polyester housing and mounting covers provide excellent strength, durability and corrosion resistance
- Impact-resistant and corrosion-resistant polycarbonate guards protect glass globes and refractors
- Guards have keyhole slots for ease of attachment to grounded, stainless steel guard screws
- Thermal shock-resistant globes and refractor globes provide superior protection for HID lamps and effective options for light distribution
- Polymeric reflectors are reinforced fiberglass that resist corrosion, UV rays and weathering and are bright white for maximum reflectance



Hazlux

Hazlux M1 Fixture Assembly Sample





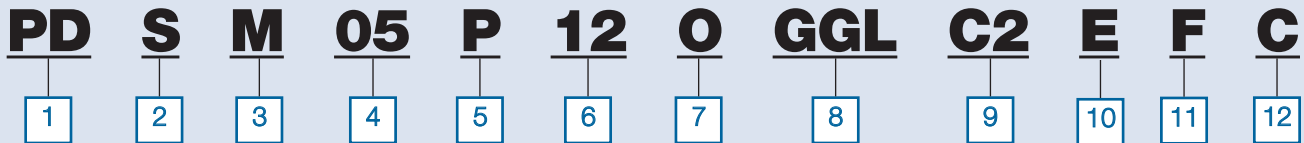
Class I — Zone 2, Groups IIC, IIB, IIA,
— Division 2, Groups A, B, C and D



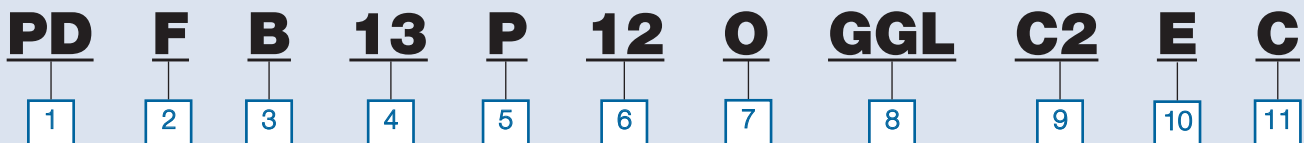
- UL Listed (UL1598) for Marine Locations
- NEMA 4X, IP66

Hazlux M1 Catalogue Numbering System

Metal Halide or High Pressure Sodium



Fluorescent Only



1 — **Fixture Series**
PD = Hazlux® M1 Fixture

2 — **Lamp Type**
H = Metal Halide
HP = Metal Halide Pulse Start (100W)
S = High Pressure Sodium
F = Fluorescent

3 — **Lampholder**
M = Medium Base Lampholder
B = Bi Pin Type (Fluorescent)

4 — **Lamp Wattage**
09 = 9 watt (Fluorescent)
13 = 13 watt (Fluorescent)
18 = 18 watt (Fluorescent)
26 = 26 watt (Fluorescent)
03 = 35 watt
05 = 50 watt
07 = 70 watt
10 = 100 watt

5 — **Ballast Circuit**
P = Reactor Type, Fluorescent
H = High Reactance

6 — **Voltage**
12 = 120 Volt
27 = 277 Volt (Fluorescent)

7 — **Tank**
O = Standard Housing

8 — **Optical Assembly Options**
G = Glass Globe
GGL = Glass Globe with Polymeric Guard
TG = Tempered Globe Only
TGL = Tempered Globe and Polymeric Guard
R1 = Glass Refractor (IES Type I) without Guard
R3 = Glass Refractor (IES Type III) without Guard
R5 = Glass Refractor (IES Type V) without Guard
R1P = Glass Refractor (IES Type I) with Polymeric Guard
R3P = Glass Refractor (IES Type III) with Polymeric Guard
R5P = Glass Refractor (IES Type V) with Polymeric Guard
CBDL = Closed Bottom Reflector with Polycarbonate Lens

9 — **Mounting Style**
A2 = 3/4 in. Cone Pendant
C2 = 3/4 in. Ceiling, 1 Hub
C22 = 3/4 in. Ceiling, 2 Hubs

10 — **Hazpak Options**
U = Hazpak no lamp
E = Hazpak C/W Clear Lamp

11 — **Special Options ***
F = Fuse Kit (For HID Only)



12 — **CSA Certification**
C = CSA Nameplate

* not CSA approved in hazardous locations


Hazlux

Hazlux M1 Accessories

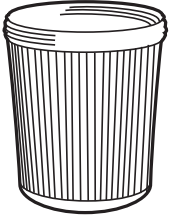
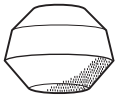
OUTLET BOXES – Designed for all Hazlux® M1 Ballasts Housings.

MOUNTING STYLE	CATALOGUE NO.	CONDUIT HUB SIZE	STD. PKG.
Rigid Pendant Cone 	• VPA2	3/4"	5
Ceiling Mount 	• VPC2 • VPC22 (FEED THROUGH)	3/4"	5

EXIT SIGN

	CATALOGUE NO.	STD. PKG.	COLOUR
	VRE22	1	Red

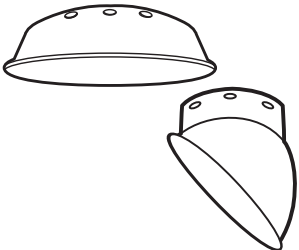
GLOBES OR REFRACTORS

	CATALOGUE NO.	DESCRIPTION
	VGT15	Heat-Resistant Prismatic Glass
	VGL15P	Polycarbonate Plastic Globe
	VGL15R1	IES Type I Refractor Globe
	VGL15R3	IES Type III Refractor Globe
	VGL15R5	IES Type V Refractor Globe
	VR22CDDL	Low Bay Refractor with Plastic Lens

GUARDS

	CATALOGUE NO.	DESCRIPTION
	VGU15P	Polymeric – For Use With Glass Globes or Refractors

REFLECTORS

	CATALOGUE NO.	DESCRIPTION
	VR15P	Standard Dome Fiber Glass Reinforced Polyester
	VRA15P	30° Angle Reflector Fiber Glass Reinforced Polyester

M1



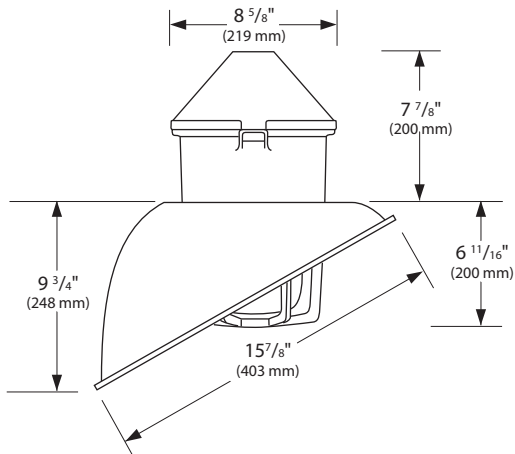
Class I — Zone 2, Groups IIC, IIB, IIA,
— Division 2, Groups A, B, C and D



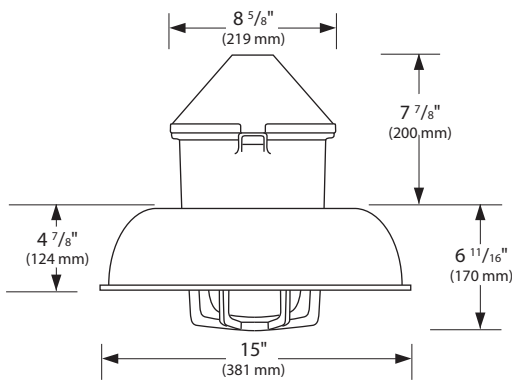
- UL Listed (UL1598) for Marine Locations
- NEMA 4X, IP66

Hazlux M1 Dimensions

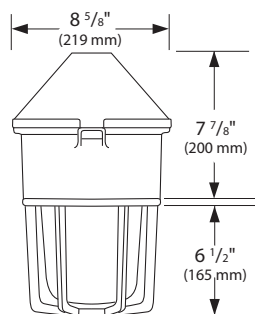
CONE PENDANT MOUNT



WITH ANGLED REFLECTOR

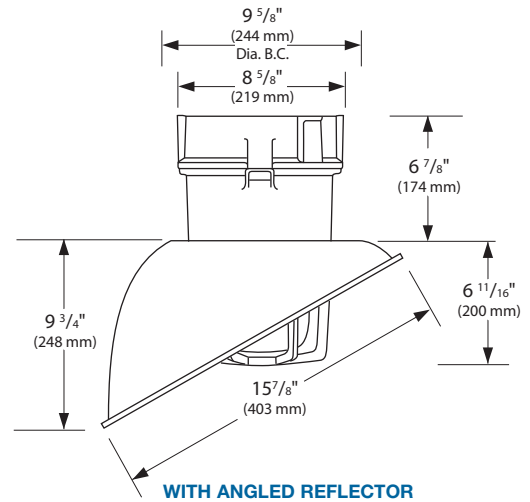


WITH DOME REFLECTOR

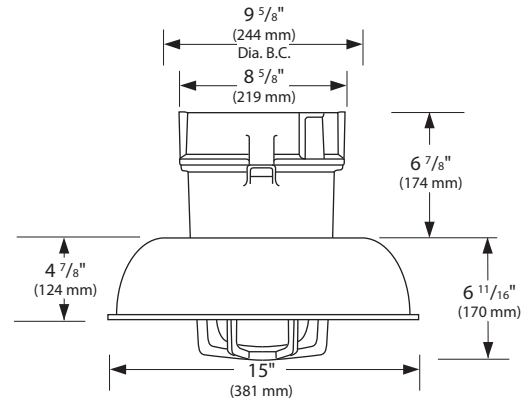


NO REFLECTOR

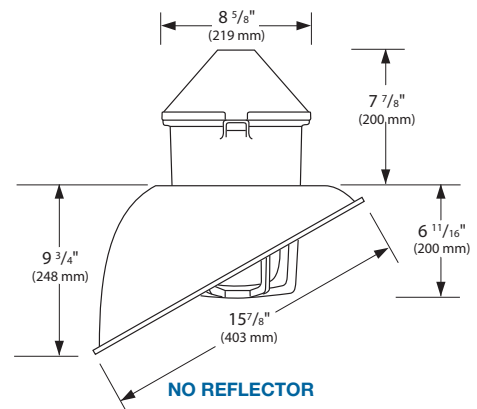
CEILING MOUNT



WITH ANGLED REFLECTOR



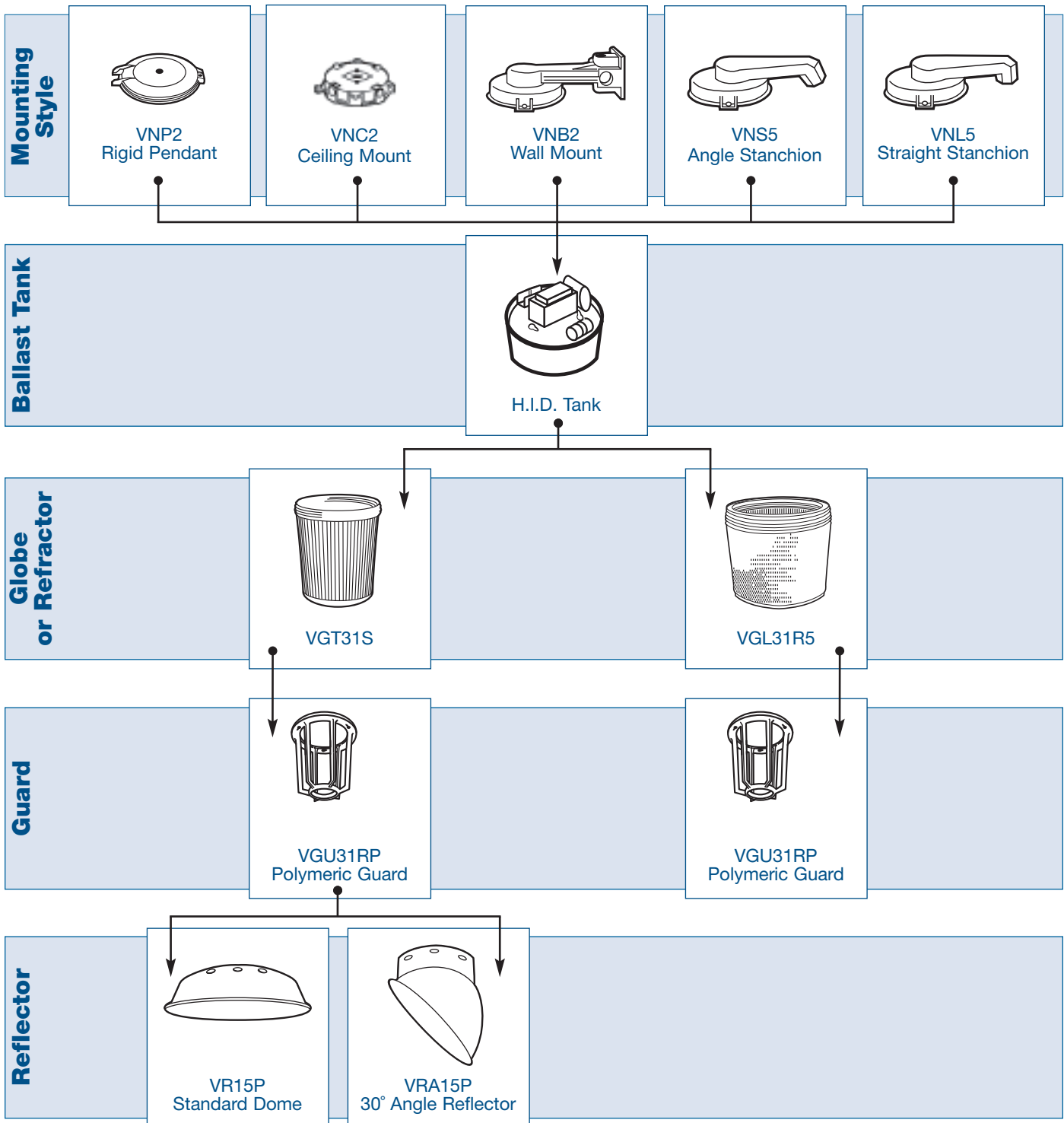
WITH DOME REFLECTOR



NO REFLECTOR

Hazlux

Hazlux 1 Fixture Assembly Sample



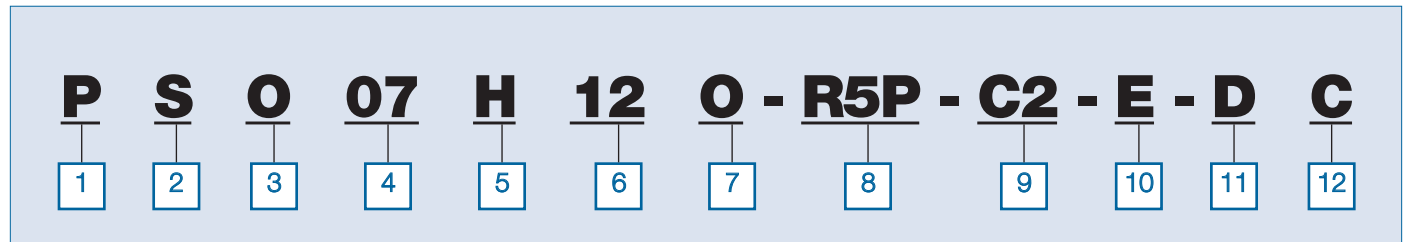


Class I — Zone 2, Groups IIC, IIB, IIA,
— Division 2, Groups A, B, C and D



- UL Listed (UL1598) for Marine Locations
- NEMA 4X, IP66

Hazlux 1 Catalogue Numbering System

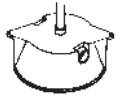

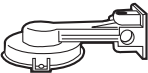


- 1** — **Fixture Series**
P = Hazlux® 1 Fixture
- 2** — **Lamp Type**
H = Metal Halide
S = High Pressure Sodium (up to 150W)
- 3** — **Starter Options**
O = Standard Fixture
J = Auto-Shutoff (HPS Only)
R = Instant Re-Strike (HPS Only)
- 4** — **Lamp Wattage**
05 = 50 watt
07 = 70 watt
10 = 100 watt
15 = 150 watt
17 = 175 watt (MH Only)
- 5** — **Ballast Circuit**
C = Constant Wattage Auto Transformer (CWA)
H = High Reactance
P = Reactor Type
- 6** — **Voltage**
09 = 120/277/347, 60Hz
12 = 120 Volt
34 = 347 Volt
48 = 480 Volt
- 7** — **Tank**
O = Standard Housing
- 8** — **Optical Assembly Options**
TG = Tempered Globe Only
TGP = Tempered Glass Globe and Epoxy Coated Guard
R1 = Glass Refractor (IES Type I) without Guard
R3 = Glass Refractor (IES Type III) without Guard
R5 = Glass Refractor (IES Type V) without Guard
R1P = Glass Refractor (IES Type I) with Polymeric Guard
R3P = Glass Refractor (IES Type III) with Polymeric Guard
R5P = Glass Refractor (IES Type V) with Polymeric Guard
- 9** — **Mounting Style**
P2 = 3/4 in. Pendant
B2 = 3/4 in. Wall
C2 = 3/4 in. Ceiling
S5 = 1-1/2 in. Angle Stanchion
L5 = 1-1/2 in. Straight Stanchion
- 10** — **Hazpak® Options**
E = Hazpak with Clear Lamp
D = Hazpak with Diffused Coated Lamp
U = Hazpak without Lamp
- 11** — **Reflector Options**
D = Dome Reflector
A = Angle Reflector
- 12** — **CSA Certification**
C = CSA Nameplate



Hazlux

Hazlux 1 Accessories

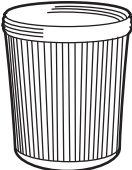
OUTLET BOXES – Designed for all Hazlux1 Ballasts Housings.

MOUNTING STYLE	CATALOGUE NO.	CONDUIT HUB SIZE	STD. PKG.
Rigid Pendant 	VNP2	3/4"	1
Ceiling Mount 	VNC2	3/4"	1
Wall Mount 	VNB2	3/4"	1

OUTLET BOXES – Designed for all Hazlux1 Ballasts Housings.

MOUNTING STYLE	CATALOGUE NO.	CONDUIT HUB SIZE	STD. PKG.
Angle Stanchion 	VNS5	1-1/2"	1
Straight Stanchion 	VNL5	1-1/2"	1

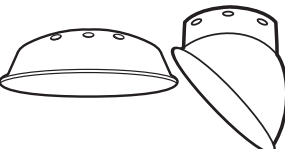
GLOBES

	CATALOGUE NO.	DESCRIPTION
	VGT31S	Heat Resistant Glass (7-3/4" dia.) 250 Watt Max.
	VGT31STS	Heat Resistant Glass (7-3/4" dia.) Coated with Tuff-Skin®, 250 Watt Max.


GUARDS

	CATALOGUE NO.	DESCRIPTION
	VGU31RP	For use with Threaded Glass Globes and Refractors (7-3/4" dia.) Polymeric

REFLECTORS

	CATALOGUE NO.	DESCRIPTION
	VR31P	Standard Dome Fiber Glass, Reinforced Polyester For use with 7-3/4" dia. Globes
	VR31P	30° Angle Reflector Fiberglass, Reinforced Polyester For use with 7-3/4" dia. Globes

REFRACTORS

	CATALOGUE NO.	DESCRIPTION
	VGL31R1	IES Type I Light Distribution (Long and Narrow) Threaded Glass Globe Refractor 7 3/4" dia.
	VGL31R3	IES Type III Light Distribution (Asymmetric) Threaded Glass Globe Refractor 7 3/4" dia.
	VGL31R5	IES Type V Light Distribution (Symmetric) Threaded Glass Globe Refractor 7 3/4" dia.



Class I — Zone 2, Groups IIC, IIB, IIA,
— Division 2, Groups A, B, C and D



- UL Listed (UL1598) for Marine Locations
- NEMA 4X, IP66

Hazlux 1 Dimensions

