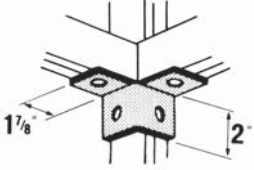
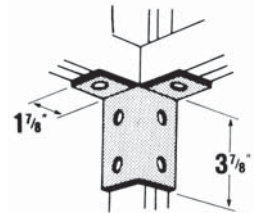
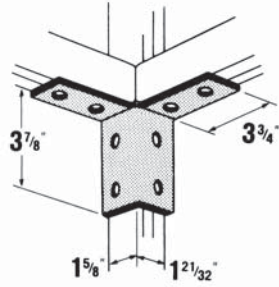
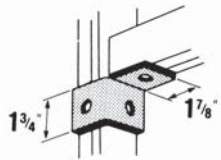
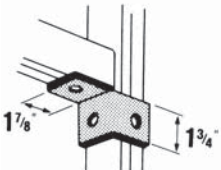
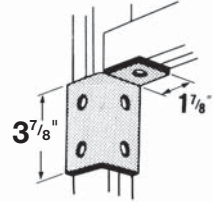
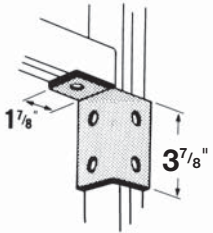
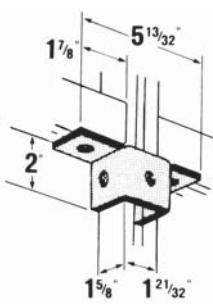
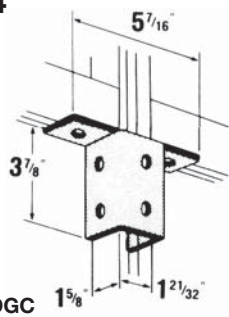
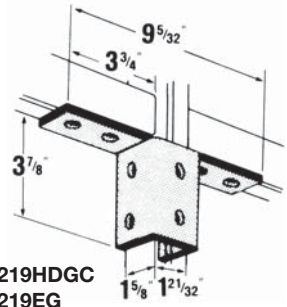
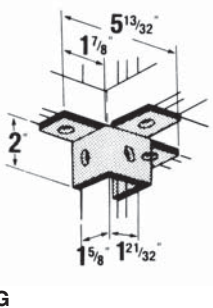
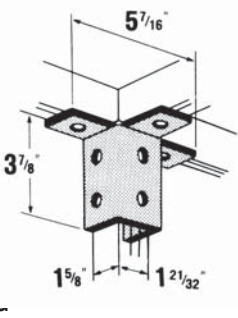
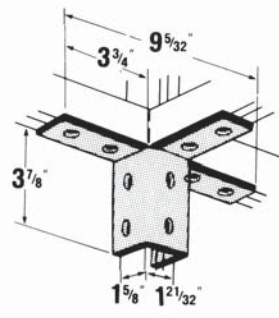


Fittings and Brackets

SECTION 3

Wing Fittings

<p>AW204</p>  <p>AW204HDG AW204EG AW204</p> <p>Wt./C 76 lb</p>	<p>AW214</p>  <p>AW214HDG AW214EG AW214</p> <p>Wt./C 115 lb</p>	<p>A217</p>  <p>AW217H A217EG A217</p> <p>Wt./C 155 lb</p>	
<p>AW205L</p>  <p>AW205LHDG AW205LEG AW205L</p>	<p>AW205R</p>  <p>AW205RHDG AW205REG AW205R</p> <p>Wt./C 59 lb</p>	<p>AW215L</p>  <p>AW215LHDG AW215LEG AW215L</p>	<p>AW215R</p>  <p>AW215RHDG AW215REG AW215R</p> <p>Wt./C 98 lb</p>
<p>AW220</p>  <p>AW220HI AW220EG AW220</p> <p>Wt./C 90 lb</p>	<p>AW224</p>  <p>AW224HDGC AW224EG AW224</p> <p>Wt./C 147 lb</p>	<p>AW219</p>  <p>AW219HDGC AW219EG AW219</p> <p>Wt./C 187 lb</p>	
<p>AW226</p>  <p>AW226HDG AW226</p> <p>Wt./C 113 lb</p>	<p>A218</p>  <p>A218HC A218EG A218</p> <p>Wt./C 177 lb</p>	<p>AW228</p>  <p>AW2 AW2 AW228</p> <p>Wt./C 230 lb</p>	

<p>Standard Dimensions</p>	<p>Hole Spacing 13/16" From End Hole Spacing 1-7/8" Centers Hole Size 9/16" Diam. Material 1-5/8" Width Material 1/4" Thick</p>	<p>Materials</p>	<p>HDG(C) EG(C) (No suffix) SS6(C)</p>	<p>Hot-Dipped Galvanized ElectroGalvanized GoldGalv® Stainless Steel 316</p>
-----------------------------------	---	-------------------------	--	--