

**SECTION 5**

**Pipe Straps, Pipe Clamps and Hangers**

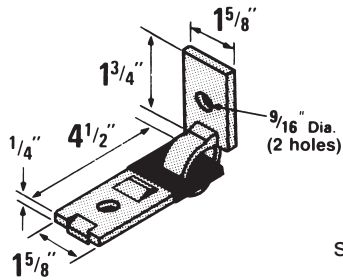
**Seismic Bracing**

Consult Superstrut® seismic Hanger Bulletin (GM141) for additional information

**C749N**

**Seismic Brace**

*Standard Finish - GoldGalv®*

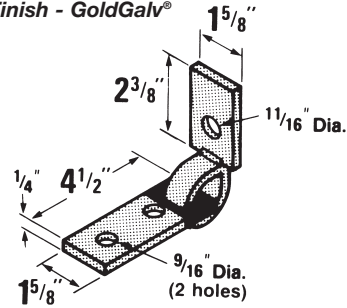


1650 lb. load  
safety factor 3  
Wt./C 61 lb

**C749N-5/8**

**Seismic Brace**

*Standard Finish - GoldGalv®*

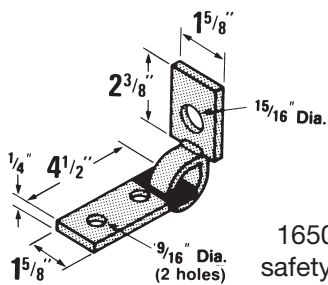


1650 lb. load  
safety factor 3  
Wt./C 56 lb

**C749N-7/8**

**Seismic Brace**

*Standard Finish - GoldGalv®*

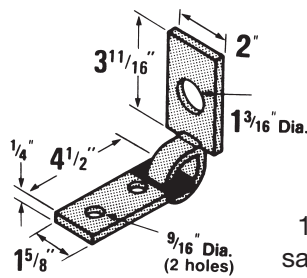


1650 lb. load  
safety factor 3  
Wt./C 74 lb

**C749N-1 1/8**

**Seismic Brace**

*Standard Finish - GoldGalv®*



1650 lb. load  
safety factor 3  
Wt./C 72 lb

**ES142**

*Standard Finish - GoldGalv®*

Cat. No.	Bolt Dia.	Wt./C lb
ES-142-1/2 x 1-1/2	1/2	21



Seismic bracing rod  
stiffener connector.  
Wt./C 21 lb

All braces have plastisol coating on the flat member.

Plastisol insulates against vibration noise transmission and eliminates rattle at the connection points.