**Material**

Most products are manufactured from hot rolled carbon steel bars or hot rolled strip steel. Pipe rollers are cast iron.

**Design Loads**

Where design loads are indicated, they provide for a safety factor of 3 in conformance with the American Standard Code for Pressure Piping.

**Hanger Design**

Pipe hangers are of advanced design to be user friendly.

**Finishes and Special Materials**

The standard finish is Electrogalvanized (EGC) or GoldGalv®. Some products are offered in Aluminum and Stainless Steel where noted.

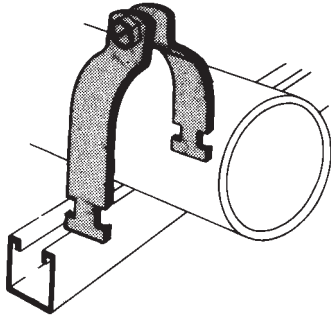
**SECTION 5**

**Pipe Straps, Pipe Clamps and Hangers**

**Conduit and Cable Clamps**

**701**  
O.D. Pipe and Conduit Clamp

Machine screw and nut included.



Cat. No.	O.D. of pipe		Rigid Cond.	EMT Cond.	Wt./C. lb	Std Pack
	in.	mm				
701-045PG	.36-.45	9-11.5	—	—	9	10
701-055PG	.46-.55	11.5-14	—	—	10	10
701-065PG	.56-.65	14-17	—	—	11	10
701-075PG	.66-.75	17-19.5	—	1/2	13	10
701-088PG	.76-.88	19.5-22.5	1/2	—	15	10
701-100PG	.89-1.00	22.5-25.4	—	3/4	16	10
701-113PG	1.01-1.13	25.5-29	3/4	—	17	10
701-126PG	1.14-1.26	29-32	—	1	18	10
701-140PG	1.27-1.40	32-36	1	—	18	10
701-153PG	1.41-1.53	36-39	—	1-1/4	19	10
701-167PG	1.54-1.67	39-42.5	1-1/4	—	20	10
701-180PG	1.68-1.80	42.5-46	—	1-1/2	23	10
701-193PG	1.81-1.93	46-49	1-1/2	—	26	10
701-204PG	1.93-2.04	49-52	—	—	30	10
701-225PG	2.10-2.25	53-57.5	—	2	32	10
701-237PG	2.26-2.37	57.5-60	2	—	34	10
701-245PG	2.33-2.45	59.95-62.5	—	—	36	10
701-257PG	2.46-2.57	62.5-65.5	—	—	38	10
701-287PG	2.75-2.87	70-73	2-1/2	2-1/2	40	10
701-294PG	2.88-2.94	73-75	—	—	42	10
701-306PG	2.95-3.06	75-78	—	—	42.5	10
701-319PG	3.07-3.19	78-81	—	—	43	10
701-350PG	3.36-3.50	85.5-89	3	3	45	10
701-356PG	3.51-3.56	89-90	—	—	46	10
701-379PG	3.70-3.79	94-96.5	—	—	48	10
701-400PG	3.80-4.00	96.5-101.5	3-1/2	3-1/2	49	10
701-450PG	4.25-4.50	108-114	4	4	70	10
701-556PG	5.25-5.56	121-141	5	5	75	5
701-665PG	6.25-6.65	146-170	6	6	80	5
701-876PG	8.50-8.75	197-222	8	8	85	5

**Standard Finishes and Materials**

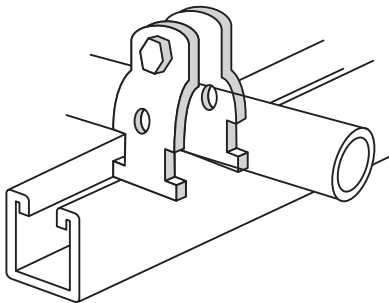
**PG** = Pregalvanized (i.e. 701-045PG)

**AL** = Aluminum (i.e. 701-045AL)  
with zinc plated hardware

**SS6** = Stainless Steel Type 316 (i.e. 701-045SS6)

**FG** = Fiberglass (in conduit sizes 1/2 to 4")

**703**  
Universal Clamp



Cat. No.	EMT/ Rigid	Conduit O.D.	Material Thickness	WT./C lb	Std. Ctn.
703-1/2EG	1/2	.706 - .840	16 ga.	400	100
703-3/4EG	3/4	.932 - 1.050	14 ga.	550	100
703-1EG	1	1.163 - 1.315	14 ga.	550	100
703-1-1/4EG	1-1/4	1.508 - 1.660	14 ga.	800	50
703-1-1/2EG	1-1/2	1.738 - 1.900	14 ga.	800	50
703-2EG	2	2.195 - 2.375	14 ga.	800	50

**Standard Finishes -**

**GoldGalv®** (i.e.) 703-1/2

**Electrogalvanized (EG suffix)** (i.e.) 703-1-1/2EG

One size fits both Rigid and Electric Metal Tubing (EMT).  
Individually assembled with screw and nut.

**Pipe Straps, Pipe Clamps and Hangers**

**SECTION 5**

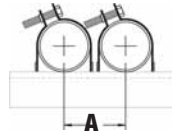
**Conduit and Cable Clamps**

**Quick Clamp II**



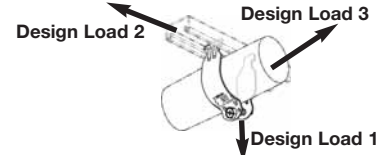
Design Load 1 has a safety factor of 4. Design Loads 2 and 3 have a safety factor of 1.

**Ordering information**



Cat. No.	Dimension A EMT in. (mm)	Dimension A Rigid Conduit in. (mm)	Quantity per Box	Wt./C lb
<b>TBQC050</b>	1-5/16 (33.5)	1-1/4 (31.5)	100	10
<b>TBQC075</b>	1-3/4 (44.5)	1-11/16 (43)	100	12
<b>TBQC100</b>	1-13/16 (46)	1-3/4 (44.5)	100	13
<b>TBQC125</b>	2-1/8 (54)	2 (51)	50	15
<b>TBQC150</b>	2-3/8 (60.5)	2-3/16 (55.5)	50	16
<b>TBQC200</b>	2-5/8 (66.5)	2-1/2 (63.5)	50	19
<b>TBQC250</b>	3-1/16 (78)	3-1/16 (78)	25	29
<b>TBQC300</b>	3-11/16 (93.5)	3-11/16 (93.5)	25	34
<b>TBQC350</b>	4-3/16 (106.5)	4-3/16 (106.5)	25	38
<b>TBQC400</b>	4-11/16 (119)	4-11/16 (119)	25	42

**Loading Data**



Design Load 1 Static Load Limit lb (kg)	Design Load 2 lb (kg)	Design Load 3 lb (kg)
200 (90)	50 (23)	50 (23)
200 (90)	50 (23)	50 (23)
200 (90)	50 (23)	50 (23)
200 (90)	50 (23)	50 (23)
200 (90)	50 (23)	50 (23)
200 (90)	50 (23)	50 (23)
350 (158)	50 (23)	50 (23)
350 (158)	50 (23)	50 (23)
350 (158)	50 (23)	50 (23)
350 (158)	50 (23)	50 (23)

**Cobra**



Standard material is commercial-grade, bright electrogalvanized steel. Stainless steel 316L is also available; add the suffix "SS6" to catalogue no. (i.e.: CPC050SS6). Stainless steel bolt head is hexagonal and slotted only. Not available in aluminum.

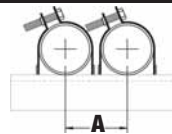
**Ordering information**

Cat. N°	EMT Trade Size	Rigid Con. Trade Size	Cable O.D. Range (in.)	Static Load Limit (lb) Safety Factor = 4	Qty per Box	Wt./C lb
<b>CPC050</b>	1/2	1/2	0.650 - 0.890	200	100	10
<b>CPC075</b>	3/4	3/4	0.860 - 1.110	200	100	12
<b>CPC100</b>	1	1	1.100 - 1.400	200	100	14
<b>CPC125</b>	1 1/4	1 1/4	1.400 - 1.725	200	50	16
<b>CPC150</b>	1 1/2	1 1/2	1.690 - 1.980	200	50	18
<b>CPC200</b>	2	2	1.980 - 2.576	200	50	24
<b>CPC250</b>	2 1/2	2 1/2	2.576 - 3.060	350	25	36
<b>CPC300</b>	3	3	3.060 - 3.626	350	25	42
<b>CPC350</b>	3 1/2	3 1/2	3.626 - 4.126	350	25	46
<b>CPC400</b>	4	4	4.126 - 4.626	350	25	50

**King Cobra**

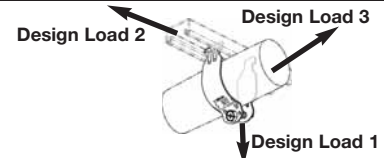


**Ordering information**



Cat. N°	EMT Trade Size	Rigid Con. Trade Size	Cable O.D. Range (in.)	Qty per Box	Wt./C lb
<b>LKCPC050</b>	1/2	1/2	0.650 - 0.890	100	15
<b>LKCPC075</b>	3/4	3/4	0.860 - 1.110	100	16
<b>LKCPC100</b>	1	1	1.100 - 1.400	50	19
<b>LKCPC125</b>	1 1/4	1 1/4	1.400 - 1.725	50	23
<b>LKCPC150</b>	1 1/2	1 1/2	1.690 - 1.980	50	27
<b>LKCPC200</b>	2	2	1.980 - 2.576	50	38
<b>LKCPC250</b>	2 1/2	2 1/2	2.576 - 3.060	25	44
<b>LKCPC300</b>	3	3	3.060 - 3.626	25	53
<b>LKCPC350</b>	3 1/2	3 1/2	3.626 - 4.126	25	58
<b>LKCPC400</b>	4	4	4.126 - 4.626	25	66

**Loading Data**



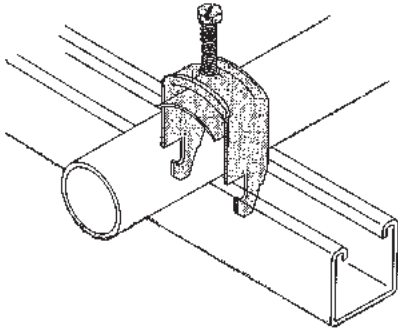
Design Load 1 Static Load Limit lb (kg)	Design Load 2 lb (kg)	Design Load 3 lb (kg)
350 (159)	50 (23)	50 (23)
350 (159)	50 (23)	50 (23)
350 (159)	50 (23)	50 (23)
350 (159)	50 (23)	50 (23)
350 (159)	50 (23)	50 (23)
350 (159)	50 (23)	50 (23)
350 (159)	50 (23)	50 (23)
450 (204)	50 (23)	50 (23)
450 (204)	50 (23)	50 (23)
450 (204)	50 (23)	50 (23)

**SECTION 5**

**Pipe Straps, Pipe Clamps and Hangers**

**Conduit and Cable Clamps**

**CH118**  
Heavy Duty Cable Clamp



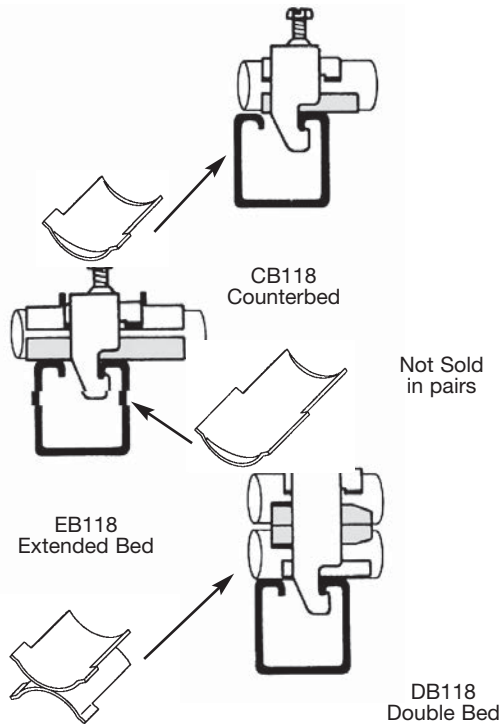
Cat. No.	O.D.		Rigid Cond.	EMT Cond.	Wt./C. lb
	of cable or pipe in.	mm			
CH118-047EG	0.27-0.47	7.5-12	—	—	7
CH118-055EG	0.40-0.55	10-14	—	—	8
CH118-081EG	0.50-0.81	13-21	1/2	1/2	9
CH118-110EG	0.70-1.10	18-28	3/4	3/4	17
CH118-125EG	0.85-1.25	22-27	3/4	1	18
CH118-135EG	1.00-1.35	26-36	1	1	19
CH118-175EG	1.33-1.75	34-44	1-1/4	1-1/2	21
CH118-205EG	1.65-2.05	42-52	1-1/2	—	24
CH118-250EG	2.12-2.50	54-64	2	—	48
CH118-300EG	2.60-3.00	66-76	2-1/2	—	54
CH118-325EG	2.75-3.25	70-82	—	—	65
CH118-375EG	3.25-3.75	82-94	3	—	105
CH118-425EG	3.75-4.25	94-110	3-1/2	—	113
CH118-475EG	4.25-4.75	110-120	4	—	124

**Standard Finishes:**  
*Electrogalvanized (EG)*  
*Aluminum (AL) comes complete with Stainless Steel Type 304 saddle and hardware*  
*Stainless Steel Type 316 clamp comes with Type 304 stainless steel hardware.*

Available in double or triple configurations.

**Example: Double - CH128-047EG**  
**Triple - CH138-047EG**

**CB118 Counterbed**  
**EB118 Extended Bed**  
**DB118 Double Bed**



Cat. No.	Wt./C. lb
<b>Counterbed</b>	
CB118-047PG	1
CB118-055PG	1
CB118-070PG	1-1/2
CB118-090PG	2
CB118-110PG	3-1/2
CB118-140PG	4
CB118-175PG	4-1/2
CB118-200PG	5
CB118-250PG	11
CB118-300PG	13
<b>Extended Bed</b>	
EB118-047PG	4
EB118-055PG	4-1/2
EB118-070PG	5-1/2
EB118-090PG	6
EB118-110PG	13-1/2
EB118-140PG	16
EB118-175PG	17
EB118-200PG	20
EB118-250PG	30
EB118-300PG	38
<b>Double Bed</b>	
DB118-047PG	2
DB118-055PG	2
DB118-070PG	3
DB118-090PG	3

**Standard Finishes - Pregalvanized (PG)**

**Pipe Straps, Pipe Clamps and Hangers**

**SECTION 5**

**Conduit and Cable Clamps**

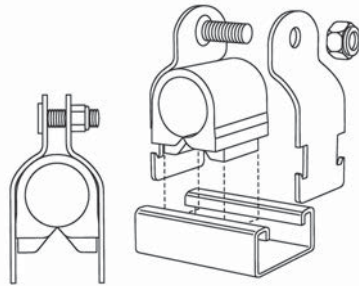
**A716** Snap•Guard® Cushioned Clamp Tube Series

**P716** Snap•Guard® Cushioned Clamp Pipe Series

*Standard Finishes GoldGalv®*

*Available in Stainless Steel - use SS suffix.  
(i.e) A716-1SS*

*ElectroGalvanized (Silver) - use EG suffix.  
(i.e) A716-1EG*



A716 / P716

- Assembly consisting of GoldGalv® finish steel clamp with bolt/locknut and cushion.
- Secure pipes, tubes and hoses for fluid conductors.
- Installation is easy and requires no more time than a simple pipe clamp installation.
- Cushion absorbs the shocks and associated vibrations from fluid surges in tubes, pipes and hoses.
- It can handle temperatures from 149°C to -40°C (300°F to -40°F).
- Cushioned Clamp assemblies are available individually bagged.

Assembly Cat. No.	Tubing		Assembly Cat. No.	Standard Pipe		
	Tube O.D.	Wt./C lb		Nominal Pipe Size	Std. Ctn.	Wt./C lb
A716-1/4	1/4	10	P716-1/4	1/4	25	10
A716-3/8	3/8	14	P716-3/8	3/8	25	14
A716-1/2	1/2	16	P716-1/2	1/2	25	16
A716-5/8	5/8	16	P716-3/4	3/4	25	18
A716-3/4	3/4	18	P716-1	1	25	22
A716-7/8	7/8	18	P716-1-1/4	1-1/4	25	27
A716-1	1	22	P716-1-1/2	1-1/2	10	36
A716-1-1/8	1-1/8	24	P716-2	2	10	43
A716-1-1/4	1-1/4	27	P716-2-1/2	2-1/2	10	49
A716-1-3/8	1-3/8	27	P716-3	3	10	60
A716-1-1/2	1-1/2	36	P716-3-1/2	3-1/2	10	62
A716-1-5/8	1-5/8	37	P716-4	4	10	94
A716-1-3/4	1-3/4	37	-	-	10	-
A716-1-7/8	1-7/8	43	-	-	10	-
A716-2	2	43	-	-	10	-
A716-2-1/8	2-1/8	44	-	-	10	-
A716-2-3/8	2-3/8	49	-	-	10	-
A716-2-5/8	2-5/8	53	-	-	10	-
A716-3-1/8	3-1/8	62	-	-	10	-
A716-4-1/8	4-1/8	94	-	-	10	-

**U716, U717**

**Two Hole Cushioned Clamp**



U716 / U717

- Guides, protects, and uniformly spaces line runs. Low cost, time saving method of attaching tubing and hose to equipment.
- Cushion is built to withstand the effects of most oils, chemical and industrial cleaning compounds, in temperatures from -45°C to 121°C (-50°F to 275°F). Interlock edge insures cushion remains in place.
- Attached with two standard fasteners to any flat surface, this clamp eliminates the use of special channels, providing a savings in both space requirements and cost.
- Cushioned clamps reduce vibration, shock, and noise in fluid systems and eliminates electrolysis.

Assembly Cat. No.	Copper and Steel Tubing O.D.	Copper Water Pipe (nom.)	Nominal Pipe Size	Std. Ctn.	Wt./C lb
U716-1/4	1/4	-	-	25	3
U716-3/8	3/8	1/4	-	25	4
U716-1/2	1/2	3/8	1/4	25	6
U716-5/8	5/8	1/2	3/8	25	6
U716-3/4	3/4	5/8	-	25	7
U716-7/8	7/8	3/4	1/2	25	7
U716-1	1	-	-	25	8
U716-1-1/8	1-1/8	1	-	25	8
U716-1-1/4	1-1/4	-	-	10	17
U716-1-3/8	1-3/8	1-1/4	-	10	20
U716-1-1/2	1-1/2	-	-	10	22
U716-1-5/8	1-5/8	1-1/2	-	10	23
U716-2	2	-	-	10	41
U716-2-1/8	2-1/8	-	-	10	41
U716-2-3/8	2-3/8	-	-	10	44

**Standard Finish – GoldGalv®**

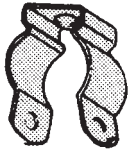
**SECTION 5**

**Pipe Straps, Pipe Clamps and Hangers**

**Conduit and Cable Clamps**

**6H Series**

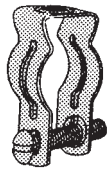
**Conduit and Pipe Hanger**



6H Series



6H-B Series  
with Bolt and Hex Nut



6H-TB  
Threaded Series



6H-T  
Threaded Series

**Features**

- Accommodates 1/2" through 4" EMT or rigid conduit
- Can be used for either vertical or horizontal installation
- 6HTB Series have a built-in nut so there are fewer parts to handle or drop
- Installs easily with a screwdriver

Cat. No.	Conduit Size		Wt./C lb
	Rigid	EMT	
6H0	3/8" - 1/2"	1/2"	5
6H0-B	3/8" - 1/2"	1/2"	7
6H0-T	3/8" - 1/2"	1/2"	5
6H0-TB	3/8" - 1/2"	1/2"	6
6H1	3/4"	3/4"	6
6H1-B	3/4"	3/4"	7
6H1-T	3/4"	3/4"	6
6H1-TB	3/4"	3/4"	7
6H2	1"	1"	7
6H2-B	1"	1"	9
6H2-1/2	-	1-1/4"	8
6H2-1/2-B	-	1-1/4"	10
6H3-SC	1-1/4"	1-1/2"	8
6H3-B	1-1/4"	1-1/2"	10
6H3-TB	1-1/4"	1-1/2"	10
6H4	1-1/2"	-	17
6H4-B	1-1/2"	-	19
6H4-TB	1-1/2"	-	19
6H5	2"	2"	24
6H5-B	2"	2"	26
6H5-TB	2"	2"	26
6H6	2-1/2"	2-1/2"	28
6H6-B	2-1/2"	2-1/2"	30
6H7	3"	3"	36
6H7-B	3"	3"	38
6H8	3-1/2"	3-1/2"	39
6H8-B	3-1/2"	3-1/2"	41
6H9	4"	4"	44
6H9-B	4"	4"	47

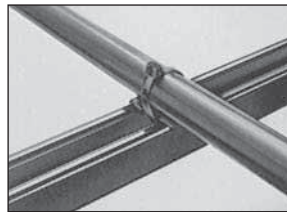
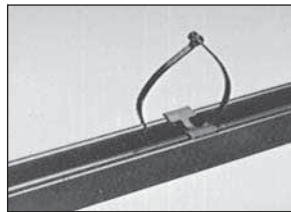
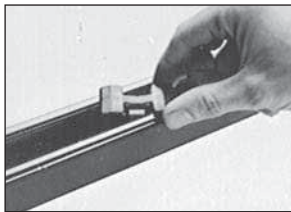
Standard Finish - Electrogalvanized (no suffix)  
Available in Stainless Steel 304 (SS)

**Cable Tie Mounting Bases  
For Framing Channel**



Cat. No.	Channel Size	Maximum Tie Width Accom.	Unit Qty.	Std. Pkg.
TC5363X	1-1/2 & 1-5/8	.301	50	250

**INSTALLATION**



- Installs with a push and twist
- Designed for indoor or outdoor use
- Smooth design protects cable insulation
- Takes range of cable diameters

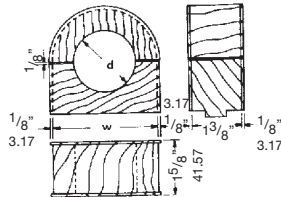
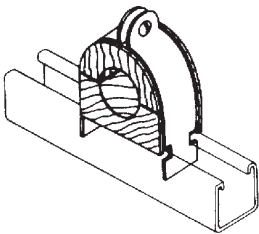
When fastening wire bundles, cables, or hoses to framing channels, you can cut costs considerably by using this mounting base. It is made of smooth, weather-resistant nylon and designed to protect cable insulation and hoses from the wear or damage that can occur with metal clamps. The mounting base may be used for both indoor or outdoor applications. It installs in the framing channel with a simple push and twist. It requires no screws, nuts or tools. The mounting base fits all 1-1/2" and 1-5/8" channels regardless of channel depth. Ty-Rap® and Ty-Fast® to be ordered separately.

**Pipe Straps, Pipe Clamps and Hangers**

**SECTION 5**

**Conduit and Cable Clamps**

**W716**  
Maple Hardwood Clamps



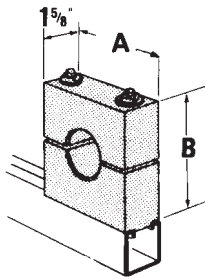
Paraffin impregnated maple.

**Standard Finishes -**  
**Pregalvanized (PG)**  
**Aluminum (AL)**

Cat. No.	Dimensions			
	Depth		Weight	
Hardwood paraffin imp.	in.	mm	in.	mm
W716-3/4PG	3/4	19.0	2-1/8	53.9
W716-1PG	1	25.4	2-1/8	53.9
W716-1-1/4PG	1-1/4	31.7	2-5/8	66.6
W716-1-1/2PG	1-1/2	38.1	2-5/8	66.6
W716-1-3/4PG	1-3/4	44.4	3	76.2
W716-2PG	2	50.8	3-5/8	92.0
W716-2-1/4PG	2-1/4	57.1	3-5/8	92.0
W716-2-1/2PG	2-1/2	63.5	4-5/8	117.7
W716-2-3/4PG	2-3/4	69.8	4-5/8	117.7
W716-3PG	3	76.2	4-5/8	117.7
W716-4PG	4	98.0	5-5/8	143.4

Note: Holding clamp is included with W716 maple hardwood clamps. It is not necessary to order 701 Series separately.

**U861**  
Maple Cable Clamp



Electrogalvanized hardware included

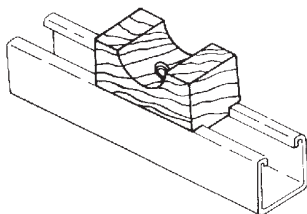
**Custom made to your needs**

Step 1	Number of holes		
i.e.	U861	1 hole	
	U862	2 holes	
	U863	3 holes	

Step 2	Specify O.D. of cable		
i.e.	3/4" hole	U861	0.75

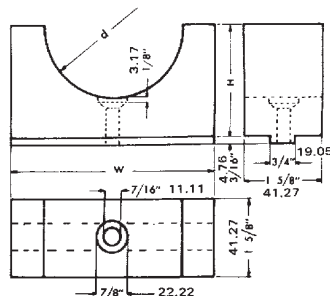
Contact your Regional Sales Office for quotation.

**WS716**  
Maple Hardwood Saddle



Paraffin impregnated maple.

**STD  
PACK:  
10**



To fasten saddle,  
use 3/8" X 2" screw bolt.

Cat. No.	Dimensions					
	Depth		Width		Height	
Hardwood Paraffin Imp.	in.	mm	in.	mm	in.	mm
WS716-3/4	3/4	19.0	3	76.2	1-3/4	44.4
WS716-1	1	25.4	3	76.2	1-3/4	44.4
WS716-1-1/4	1-1/4	31.7	3-1/2	88.9	2	50.8
WS716-1-1/2	1-1/2	38.1	3-1/2	88.9	2	50.8
WS716-1-3/4	1-3/4	44.4	4	101.6	2-1/4	57.1
WS716-2	2	50.8	4	101.6	2-1/4	57.1
WS716-2-1/4	2-1/4	57.1	4-1/2	114.3	2-1/2	63.5
WS716-2-1/2	2-1/2	63.5	4-1/2	114.3	2-1/2	63.5
WS716-2-3/4	2-3/4	69.8	5	127	2-3/4	69.8
WS716-3	3	76.2	5	127	2-3/4	69.8
WS716-3-1/4	3-1/4	82.5	5-1/2	139.7	2-3/4	76.2
WS716-3-1/2	3-1/2	88.9	5-1/2	139.7	3	76.2
WS716-3-3/4	3-3/4	95.2	6	152.4	3-1/4	82.5
WS716-4	4	101.6	6	152.4	3-1/4	82.5
WS716-4-1/2	4-1/2	114.3	6-1/2	165.1	3-1/2	88.9
WS716-5	5	127	7	177.8	3-3/4	95.2
WS716-5-1/2	5-1/2	139.7	7-1/2	190.5	4	101.6
WS716-6	6	152.4	8	203.2	4-1/4	107.9
WS716-6-1/2	6-1/2	165.1	8-1/2	215.9	4-1/2	114.3
WS716-7	7	177.8	9	228.6	4-3/4	120.6

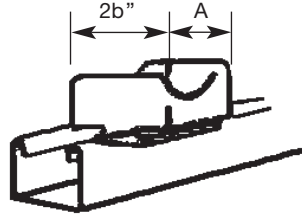
**SECTION 5**

**Pipe Straps, Pipe Clamps and Hangers**

**Conduit and Cable Clamps**

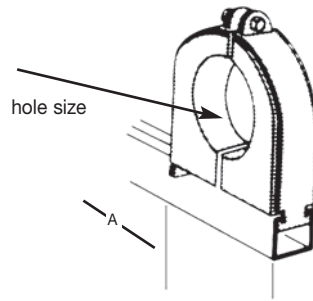
**AB880**  
3" Porcelain Saddle

**AB881**  
4" Porcelain Saddle



Cat. No.	A	Max. Cable Diam.	Wt./C lb
AB880	3	3	73
AB881	4	4-1/2	104

**C755**  
Porcelain Cable Clamps



Cat. No.	Hole Size	A	Wt./C lb	Cat. No.	Hole Size	A	Wt./C lb
C755-1A	3/8	1-9/16	50	C755-5C	2-5/8	4-1/4	240
C755-1B	1/2	1-9/16	50	C755-6	2-3/4	4-3/4	250
C755-1C	5/8	1-9/16	50	C755-6A	2-7/8	4-3/4	240
C755-2	3/4	2-5/32	91	C755-6B	3	4-3/4	230
C755-2A	7/8	2-5/32	90	C755-6C	3-1/8	4-3/4	220
C755-2B	1	2-5/32	85	C755-7	3-1/4	5-13/16	340
C755-2C	1-1/8	2-5/32	82	C755-7A	3-3/8	5-13/16	330
C755-3	1-1/4	2-5/8	114	C755-7B	3-1/2	5-13/16	318
C755-3A	1-3/8	2-5/8	110	C755-7C	3-5/8	5-13/16	387
C755-3B	1-1/2	2-5/32	105	C755-8	3-3/4	6-7/8	565
C755-3C	1-5/8	2-5/8	102	C755-8A	3-7/8	6-7/8	550
C755-4	1-3/4	3-3/4	220	C755-8B	4	6-7/8	535
C755-4A	1-7/8	3-3/4	214	C755-8C	4-1/8	6-7/8	520
C755-4B	2	3-3/4	205	C755-8D	4-1/4	6-7/8	490
C755-4C	2-1/8	3-3/4	200	C755-8E	4-3/8	6-7/8	475
C755-5	2-1/4	4-1/4	260	C755-8F	4-1/2	6-7/8	460
C755-5A	2-3/8	4-1/4	250				
C755-5B	2-1/2	4-1/4	243				

**Standard Finish -**  
**GoldGalv® with bronze hardware**  
Also fits 1-1/2" wide channel.  
For minimum order quantities contact customer service.

**Pipe Straps, Pipe Clamps and Hangers**

**SECTION 5**

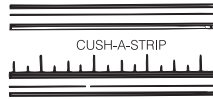
**Conduit and Cable Clamps**

**S716**

**Cushioned Strip for Isolation & Vibration Applications**



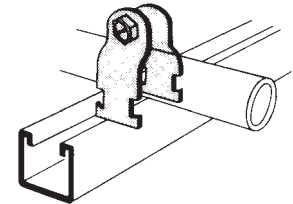
For use with 701 O.D. tubing and pipe clamp. To determine 701 clamp size add 1/4" to O.D. tube size to allow for the Cushioned Strip material.



1/4" markings for fast measuring and cutting. Measurement chart is printed on back of carton. **20 feet included in each carton.**

Prevent metal to metal contact with the Cushioned Strip material. It aids in sound insulation, shock absorption and protects against corrosion, distortion and abrasion. Cushioned Strip material is designed for optimal use between -1°C and 149°C (30°F and 300°F).

Cushioned Strip material combined with the Superstrut 701 pipe strap can handle clamping assignments from 1/4" to 6."



**Order 701 clamp separately.**

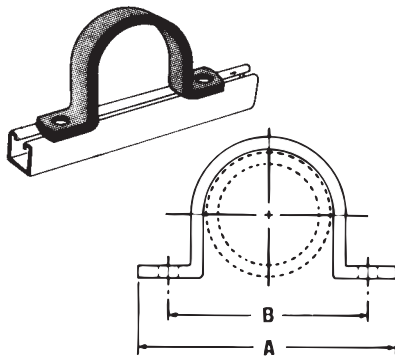
**C708U**

**Short Strap for Channel or Wall Mounting**

**Standard Finish - GoldGalv®**

**Example: C708U-1/2**

No clearance between pipe and channel.



Pipe Size	A	B	Thickness	Width	Hole Size	Design Load lb	Wt./C lb
1/2	2-7/8	2	1/8	1-5/8	9/32	650	23
3/4	3-1/16	2-3/16	1/8	1-5/8	9/32	650	26
1	3-3/8	2-1/2	1/8	1-5/8	9/32	650	31
1-1/4	3-11/16	2-13/16	1/8	1-5/8	9/32	650	35
1-1/2	3-15/16	3-1/16	1/8	1-5/8	9/32	650	39
2	5-3/4	4-1/8	1/4	1-5/8	7/16	650	94
2-1/2	6-3/16	4-9/16	1/4	1-5/8	7/16	1000	114
3	6-13/16	5-3/16	1/4	1-5/8	7/16	1000	133
3-1/2	7-5/16	5-11/16	1/4	1-5/8	7/16	1000	152
4	7-13/16	6-3/16	1/4	1-5/8	7/16	1200	176
5	8-7/8	7-1/4	1/4	1-5/8	7/16	1200	198
6	9-15/16	8-5/16	1/4	1-5/8	7/16	1200	246

Carbon Steel

**SECTION 5**

**Pipe Straps, Pipe Clamps and Hangers**

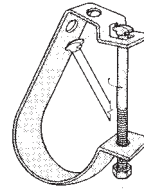
**Conduit and Cable Clamps**

**C711**  
"J" Pipe Hanger

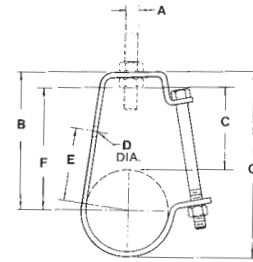
**Standard Finishes - GoldGalv®, Electrogalvanized (EG)**

Complies with Specification MSS SP69, Type 5.  
Hole provided for side mounting to wall as bracket.

**Example: C711-1/2**



Standard



Pipe Size	A Rod Size	Overall Dimension					Bolt Size	G	Thickness	Width	Max. Rec. Load lb	Approx. Wt./C lb
		B	C	D	E	F						
1/2	3/8	2-5/8	1-3/4	7/16	1-1/2	1-15/16	1/4	3-5/32	12 ga	3/4	400	18
3/4	3/8	2-7/8	1-7/8	7/16	1-11/16	2-1/8	1/4	3-1/2	12 ga	3/4	400	21
1	3/8	2-15/16	1-15/16	7/16	1-13/16	2-5/16	1/4	3-11/16	12 ga	3/4	400	22
1-1/4	3/8	3-1/4	2	7/16	2-1/16	2-5/8	1/4	4-1/8	12 ga	3/4	400	25
1-1/2	3/8	3-9/16	2-3/16	7/16	2-7/16	2-7/8	1/4	4-5/8	12 ga	3/4	400	27
2	3/8	3-11/16	2-1/8	7/16	2-9/16	3-1/16	1/4	5	12 ga	3/4	400	29
2-1/2	1/2	4-7/16	2-7/16	9/16	3-3/16	3-5/8	3/8	6	12 ga	1-1/4	500	64
3	1/2	4-13/16	2-9/16	9/16	3-1/2	4-1/16	3/8	6-21/32	12 ga	1-1/4	500	72
3-1/2	1/2	5-1/8	2-5/8	9/16	3-3/4	4-3/8	3/8	7-5/16	3/16	1-1/4	500	84
4	5/8	6-1/8	3-3/16	9/16	4-5/8	5-3/16	3/8	8-9/16	3/16	1-1/4	550	138
5	5/8	6-3/4	3-1/4	9/16	5-1/16	5-3/5	3/8	9-23/32	3/16	1-1/4	550	162
6*	3/4	7-3/4	3-9/16	9/16	5-13/16	6-5/8	3/8	11-1/4	3/16	1-3/4	600	249
8*	7/8	9-3/16	3-15/16	9/16	6-15/16	8	3/8	13-11/16	3/16	1-3/4	760	291

\*Hangers 6" and over have hole instead of slot.

**C727**  
Adjustable Ring

**Standard Finish - Pregalvanized (no suffix), Stainless Steel (SS)**

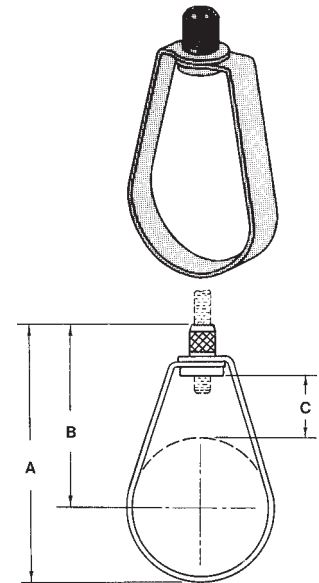
Carbon steel. For suspension of non-insulated pipe lines.

Complies with Specification MSS SP69, Type 10.

**Example: C727-1/2**

Tube Size	Rod Size	A	B	C	Thickness	Width	Approx. Max. Rec. Load	
							Wt./C lb	lb
1/2	3/8	3-1/8	2-5/8	1-3/8	16 ga	1	400	9
3/4	3/8	3-1/8	2-1/2	1-1/8	16 ga	1	400	9
1	3/8	3-3/8	2-5/8	1-1/8	16 ga	1	400	9
1-1/4	3/8	3-3/4	2-7/8	1-1/8	16 ga	1	400	10
1-1/2	3/8	3-7/8	2-7/8	1	16 ga	1	400	11
2	3/8	4-1/4	3	1	16 ga	1	400	12
2-1/2	1/2*	5-3/4	4-1/4	1-5/8	14 ga	1-3/16	600	28
3	1/2*	6	4-1/8	1-1/4	14 ga	1-3/16	600	30
3-1/2	1/2*	7-3/8	5-1/4	2-1/8	14 ga	1-3/16	600	34
4	5/8*	7-3/8	5	2-5/8	14 ga	1-1/4	1000	37
5	5/8**	9	6-1/8	2-1/4	12 ga	1-1/4	1250	83
6	3/4**	9-3/8	6-1/2	1-7/8	12 ga	1-1/4	1250	95

\*3/8" nut is used when NFPA rod sizing is requested.  
\*\*1/2" nut is used when NFPA rod sizing is requested.



**Pipe Straps, Pipe Clamps and Hangers**

**SECTION 5**

**Pipe Hangers**

**C710**

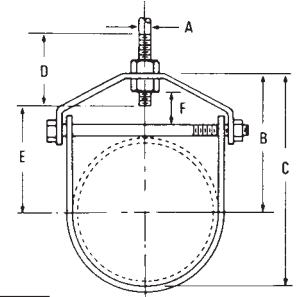
**Adjustable Clevis Hanger**

**Standard Finishes - GoldGalv®, ElectroGalvanized (EG)**

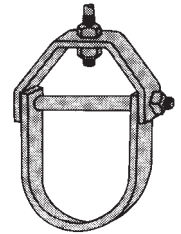
Complies with Specification MSS SP69, Type 1.

Standard Clevis Hanger also available in Stainless Steel

**Example: C710-1/2EG**



Pipe Size	Size of Steel		A	B	C	D	E	F	Max. Rec. Load, lb	Wt./C lb
	Upper	Lower								
1/2	1/8x1	1/8x1	3/8	1-11/16	2-1/8	2-1/2	7/8	7/16	610	30
3/4	1/8x1	1/8x1	3/8	1-7/8	2-7/16	2-1/2	1	1/2	610	32
1	1/8x1	1/8x1	3/8	2-1/8	2-13/16	2-1/2	1-1/4	5/8	610	36
1-1/4	1/8x1	1/8x1	3/8	2-9/16	3-7/16	2-1/2	1-3/4	7/8	610	42
1-1/2	1/8x1	1/8x1	3/8	3	4	2-1/2	2-1/8	1-1/16	610	55
2	1/8x1	1/8x1	3/8	3-11/16	4-7/8	2-1/2	2-15/16	1-5/8	610	60
2-1/2	3/16x1-1/4	3/16x1-1/4	1/2	4-11/16	6-1/8	3	3-13/16	2	1130	115
3	3/16x1-1/4	3/16x1-1/4	1/2	4-3/4	6-9/16	3	3-7/8	1-3/4	1130	132
3-1/2	3/16x1-1/4	3/16x1-1/4	1/2	4-15/16	6-15/16	3	4-1/16	1-3/4	1130	156
4	1/4x1-1/4	3/16x1-1/4	5/8	5-9/16	7-13/16	3-1/2	4-1/2	1-15/16	1430	190
5	1/4x1-1/4	3/16x1-1/4	5/8	6-3/16	9	3-1/2	5-1/8	1-3/4	1430	240
6	1/4x1-1/2	3/16x1-1/2	3/4	6-13/16	10-1/8	4	5-5/8	1-7/8	1940	320
8	1/4x1-3/4	3/16x1-3/4	7/8	8-5/16	12-5/8	4-1/4	7	2-1/8	1940	500



**CL710**

**Light Duty Adjustable Clevis Hanger**

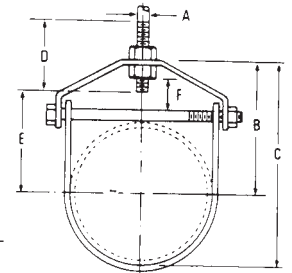
**Standard Finishes - GoldGalv®, Bare (B), ElectroGalvanized (EG), Fiberglass (FG).**

Carbon Steel

Used on non-insulated, stationary pipelines.

A lock nut above the clevis yoke is required for full rated load.

**Example: CL710-3/8B**



Pipe Size	Thickness of Steel		A	B	C	D	E	F	Max. Rec. Load, lb	Wt./C lb
	Upper	Lower								
3/8	16 ga x 7/8	16 ga x 7/8	3/8	1-7/8	2-3/16	2-1/2	1-1/4	9/16	150	12
1/2	16 ga x 7/8	16 ga x 7/8	3/8	1-3/4	2-3/16	2-1/2	1-1/8	9/16	150	13
3/4	16 ga x 7/8	16 ga x 7/8	3/8	1-7/8	2-1/4	2-1/2	1-1/4	1/2	250	15
1	16 ga x 7/8	16 ga x 7/8	3/8	2-3/16	2-3/4	2-1/2	1-1/2	3/4	250	18
1-1/4	16 ga x 7/8	16 ga x 7/8	3/8	2-5/8	3-3/8	2-1/2	1-3/4	1	250	20
1-1/2	13 ga x 7/8	13 ga x 7/8	3/8	3	3-7/8	2-1/2	2-1/4	1-3/16	250	30
2	13 ga x 7/8	13 ga x 7/8	3/8	3-9/16	4-3/4	2-1/2	2-13/16	1-5/8	250	38
2-1/2	1/8 x 1-1/4	1/8 x 1-1/4	1/2	4	5-1/2	3	3-1/4	1-3/8	350	80
3	1/8 x 1-1/4	1/8 x 1-1/4	1/2	4-9/16	6-1/2	3	3-9/16	1-1/2	350	89
3-1/2	1/8 x 1-1/4	1/8 x 1-1/4	1/2	5	7	3	4-1/8	1-3/4	350	106
4	3/16 x 1-1/4	1/8 x 1-1/4	1/2	5-1/4	7-1/2	3-1/2	4-1/4	1-7/8	400	146



**SECTION 5**

**Pipe Straps, Pipe Clamps and Hangers**

**Pipe Hangers**

**M718**  
Split Pipe Ring

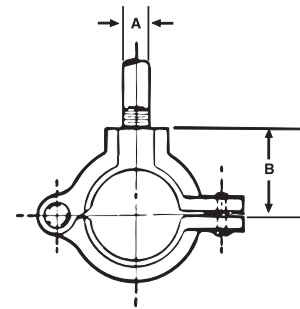
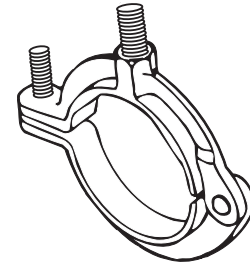
**Standard Finishes - Bare (B) or Electrogalvanized (EG)**

Malleable iron.

For suspension of non-insulated, stationary pipelines.

**Example: M718-3/8B**

Pipe Size	A	B	Max. Rec. Load/lb	Wt./C lb
3/8	3/8	13/16	180	10
1/2	3/8	7/8	180	13
3/4	3/8	1	180	14
1	3/8	1-1/8	180	16
1-1/4	3/8	1-5/16	180	22
1-1/2	3/8	1-7/16	180	24
2	3/8	1-11/16	180	31
2-1/2	1/2	2-1/8	300	60
3	1/2	2-7/16	300	74
4	1/2	2-15/16	300	116



**C725**  
Medium Pipe Clamp

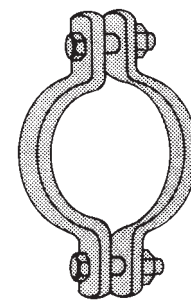
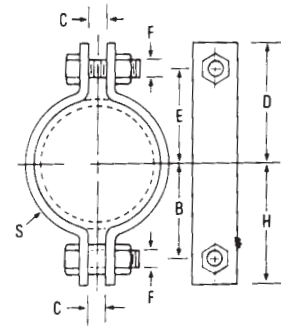
**Standard Finishes - GoldGalv®, Bare (B), Stainless Steel (SS), Electrogalvanized (EG)**

Carbon steel. For suspension of pipelines where little or no insulation is required.

Complies with Specification MSS SP69, Type 23.

**Example: C725-1/2B**

Pipe Size	B	C	D	E	F	H	S	Max. Rec. Load, lb	Wt./C, lb Approx.
1/2	1	7/16	1-5/8	1	5/16	1-1/2	1/8 x 1	500	29
3/4	1-1/8	7/16	1-3/4	1-1/4	5/16	1-3/4	1/8 x 1	500	32
1	1-1/4	7/16	1-13/16	1-1/4	5/16	1-13/16	1/8 x 1	500	33
1-1/4	1-7/16	7/16	2	1-7/16	5/16	2	1/8 x 1	500	38
1-1/2	1-5/8	1/2	2-1/16	1-1/2	5/16	2-1/4	1/8 x 1	715	39
2	2-1/8	9/16	3-1/8	2-1/4	1/2	3	1/4 x 1	1040	117
2-1/2	2-5/16	9/16	3-5/16	2-1/2	1/2	3-1/4	1/4 x 1	1040	128
3	2-3/4	9/16	3-3/4	2-3/4	1/2	3-5/8	1/4 x 1	1040	140
3-1/2	3-7/8	5/8	3-3/4	3	1/2	3-7/8	1/4 x 1	1040	145
4	3-5/16	3/4	4-1/4	3-5/16	5/8	4-1/4	1/4 x 1-1/4	1040	238
6	4-7/8	7/8	5-7/8	5	3/4	5-3/4	3/8 x 1-1/2	1615	542
8	6	1	7	6-1/8	3/4	6-7/8	3/8 x 1-1/2	1615	651
10	7-5/16	1	8-9/16	7-7/16	7/8	8-7/16	1/2 x 2	2490	1360
12	8-1/4	1	9-9/16	8-7/16	7/8	9-3/8	1/2 x 2	2490	1605



Based on the allowable stresses shown in ANSI Code for pressure piping.  
For sizes 14 to 24, contact Customer Service.

**Pipe Straps, Pipe Clamps and Hangers**

**SECTION 5**

**Pipe Hangers**

**C720**

**Riser Clamp**

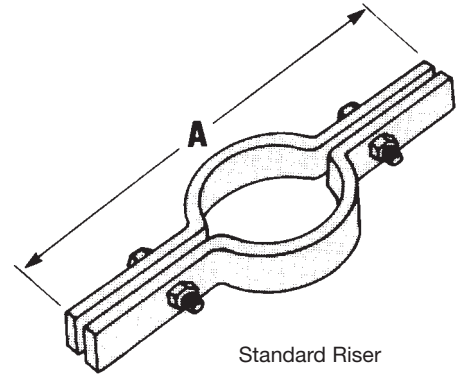
**Standard Finishes - GoldGalv®, Bare (B), Stainless Steel (SS)**

Available in sizes 1/2" through 10".

Complies with Specification MSS SP69, Type 8.

**Example: C720-1 1/2B**

Pipe Size	A	Thickness	Width	Bolt	Max. Rec. Load, lb	Wt./Ea. Approx.
1/2	9-1/8	3/16	1	3/8 x 1-1/2	220	1.01
3/4	9-1/4	3/16	1	3/8 x 1-1/2	220	1.06
1	9-5/8	3/16	1	3/8 x 1-1/2	220	1.07
1-1/4	9-7/8	1/4	1	3/8 x 1-1/2	250	1.12
1-1/2	10	1/4	1	3/8 x 1-1/2	250	1.20
2	10-1/2	1/4	1	3/8 x 1-1/2	300	1.25
2-1/2	11-1/16	1/4	1	3/8 x 1-1/2	400	1.67
3	11-13/16	1/4	1	3/8 x 1-1/2	500	1.81
3-1/2	13	1/4	1	1/2 x 1-1/2	600	2.12
4	13-1/2	1/4	1	1/2 x 1-1/2	750	2.22
5	14	1/4	1-1/2	1/2 x 1-3/4	1500	3.44
6	15-3/16	1/4	1-1/2	1/2 x 1-3/4	1600	3.65
8	19	3/8	1-1/2	5/8 x 2-1/2	2500	7.24



**C726**

**Double Bolt Pipe Clamp**

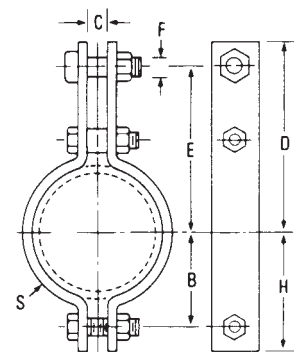
**Standard Finish - Bare (B)**

Carbon Steel. For the suspension of insulated pipelines.

Normally used with weldless eye nut.

**Example: C726-1/2B**

Pipe Size	B	C	D	E	F	H	S	Max. Rec. Load, lb	Approx. Wt. /C
3/4	1-1/16	5/8	3-3/16	2-1/2	3/8	1-11/16	3/16 x 1	950	66
1	1-1/2	5/8	3-3/4	2-1/2	3/8	2-1/16	3/16 x 1	950	69
1-1/4	1-1/2	3/4	3-11/16	2-7/8	3/8	2-1/4	3/16 x 1	950	75
1-1/2	1-13/16	1-1/16	4-7/8	3-3/4	5/8	2-13/16	1/4 x 1-1/4	1545	181
2	2-1/4	1-1/16	5-11/16	4-11/16	5/8	3-3/16	1/4 x 1-1/4	1545	200
2-1/2	2-5/8	1-1/16	6-1/2	5-3/8	5/8	3-1/2	1/4 x 1-1/4	1545	232
3	2-3/4	1-1/16	6-7/8	6	5/8	3-3/4	1/4 x 1-1/4	1545	258
3-1/2	3	1-1/16	7-1/16	6-3/16	5/8	4	1/4 x 1-1/4	1545	264
4	3-3/8	1-1/16	7-5/8	6-1/2	3/4	4-1/2	3/8 x 2	2500	750
5	3-15/16	1-1/16	8-1/8	7	3/4	5	3/8 x 2	2500	813
6	4-3/4	1-7/16	9-15/16	8-9/16	1	6-1/8	3/8 x 2-1/2	2865	1311
8	5-3/4	1-7/16	10-15/16	9-9/16	1	7-1/8	3/8 x 2-1/2	2865	1467



**SECTION 5**

**Pipe Straps, Pipe Clamps and Hangers**

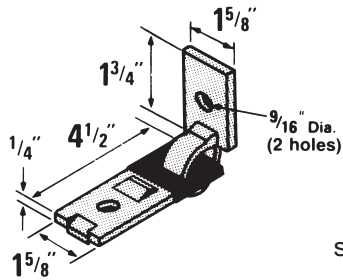
**Seismic Bracing**

Consult Superstrut® seismic Hanger Bulletin (GM141) for additional information

**C749N**

**Seismic Brace**

*Standard Finish - GoldGalv®*

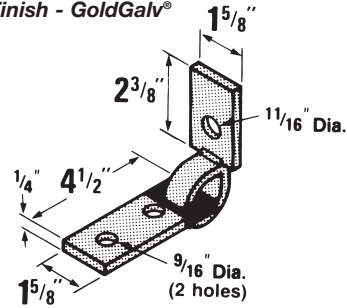


1650 lb. load  
safety factor 3  
Wt./C 61 lb

**C749N-5/8**

**Seismic Brace**

*Standard Finish - GoldGalv®*

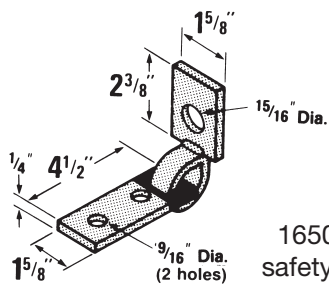


1650 lb. load  
safety factor 3  
Wt./C 56 lb

**C749N-7/8**

**Seismic Brace**

*Standard Finish - GoldGalv®*

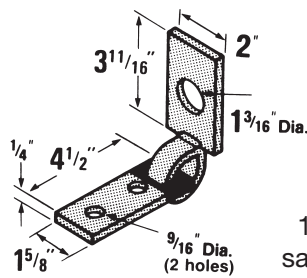


1650 lb. load  
safety factor 3  
Wt./C 74 lb

**C749N-1 1/8**

**Seismic Brace**

*Standard Finish - GoldGalv®*



1650 lb. load  
safety factor 3  
Wt./C 72 lb

**ES142**

*Standard Finish - GoldGalv®*

Cat. No.	Bolt Dia.	Wt./C lb
ES-142-1/2 x 1-1/2	1/2	21



Seismic bracing rod  
stiffener connector.  
Wt./C 21 lb

All braces have plastisol coating on the flat member.



Plastisol insulates against vibration noise transmission and eliminates rattle at the connection points.

**Hanger Accessories**

**SECTION 5**

**Hanger Accessories**

Other products available. Contact your Regional office.

<p><b>C704A</b> Offset J-Hook</p>  <p>Sizes 1/2" thru 3" IPS</p>	<p><b>M732H</b> I-Beam w/Eye Nut</p>  <p>MSS SP69 Type 28</p>	<p><b>M732 / M732 Ext</b> I-Beam Clamp w/Swing Nut</p>  <p>Sizes 3/8" thru 7/8" Rod MSS SP69 Type 30</p>	<p><b>C736</b> Light Welded Steel Bracket</p>  <p>Max. Load 750 Lb MSS SP69 Type 31</p>	<p><b>C739M</b> Medium Welded Steel Bracket</p>  <p>Max. Load 1500 Lb MSS SP69 Type 32</p>
<p><b>C739H</b> Heavy Welded Steel Bracket</p>  <p>Max. Load 3000 Lb MSS SP69 Type 33</p>	<p><b>M750</b> Side Beam Bracket</p>  <p>Sizes 3/8" thru 7/8" Rod MSS SP69 Type 34</p>	<p><b>C785A</b> Pipe Stanchion Saddle</p>  <p>Sizes 4" thru 36" IPS MSS SP69 Type 37</p>	<p><b>C786</b> Adj. Pipe Saddle Support</p>  <p>Sizes 2-1/2" thru 36" IPS MSS SP69 Type 38</p>	<p><b>C789</b> Steel Pipe Covering Protection Saddle</p>  <p>MSS SP69 Type 39</p>
<p><b>C790</b> Insulation Protection Shield for PVC coated pipe lines and insulated copper tubing</p>  <p>Sizes 3/4" thru 12" IPS MSS SP69 Type 40</p>	<p><b>RC729A</b> Single Pipe Roll</p>  <p>Sizes 1" thru 24" IPS MSS SP69 Type 41</p>	<p><b>C729</b> Adj. Roller Hanger</p>  <p>Sizes 1" thru 20" IPS MSS SP69 Type 43</p>	<p><b>S730C</b> Pipe Roll + Base</p>  <p>MSS SP69 Type 44</p>	<p><b>S730D</b> Adj. Pipe Roll &amp; Base</p>  <p>MSS SP69 Type 46</p>
<p><b>C769</b> Top I-Beam Clamp</p>  <p>Sizes 3/4" thru 7/8" Rod MSS SP69 Type 25</p>	<p><b>C755 T / C757 T</b> Center I-Beam Clamp</p>  <p>MSS SP69 Type 21</p>	<p><b>C780</b> Weld attachment as shown or inverted less bolt</p>  <p>MSS SP69 Type 22</p>	<p><b>M778</b> Top Beam C-Clamp</p>  <p>Sizes 3/8" thru 3/4" Rod MSS SP69 Type 19</p>	<p><b>M777</b> Junior Top Beam C-Clamp</p>  <p>Sizes 3/8" thru 1/2" Rod MSS SP69 Type 18</p>