

## **CHANNEL**

### **Material**

Steel channels are cold-roll formed from strip steel. Aluminum and Fiberglass channels are extruded profiles.

### **Material Thickness**

All series 1200 12 gauge material  
All series 1400 14 gauge material  
All series 1600 16 gauge ribbed material

### **Standard Lengths**

Standard lengths for channel are 10 ft and 20 ft with a tolerance of +1/8". Special lengths can be requested; however, minimum quantities may apply. Channels are sold per foot.

### **Warning**

Load tables, charts, and design criteria provided in this catalogue are intended as guides only. Selection of proper product, support spacing, erection, and placement are the responsibility of the user.

When improperly used as tools of erection pipe hanger products have occasionally failed. To avoid an accident, the user is cautioned to use the product only as it was intended.

## **CONCRETE INSERT**

### **Material**

Superstrut continuous insert channel is manufactured from 12 gauge hot rolled strip steel in two basic sizes as follows:

#### **Cat. No. A302**

1-5/8" x 1-5/8" 7/8" slot

#### **Cat. No. C302**

1-5/8" x 1-3/8" 7/8" slot

#### **Cat. No. C302**

1-5/8" x 1-3/8" 7/8" slot

### **Standard Lengths**

Standard lengths are 10 ft and 20 ft. Product is supplied with foam filler and end caps to prevent concrete from seeping into channel.

### **Application**

For casting into concrete walls, floors or ceilings to provide for attachment anywhere along the continuous slot.

### **Design Data**

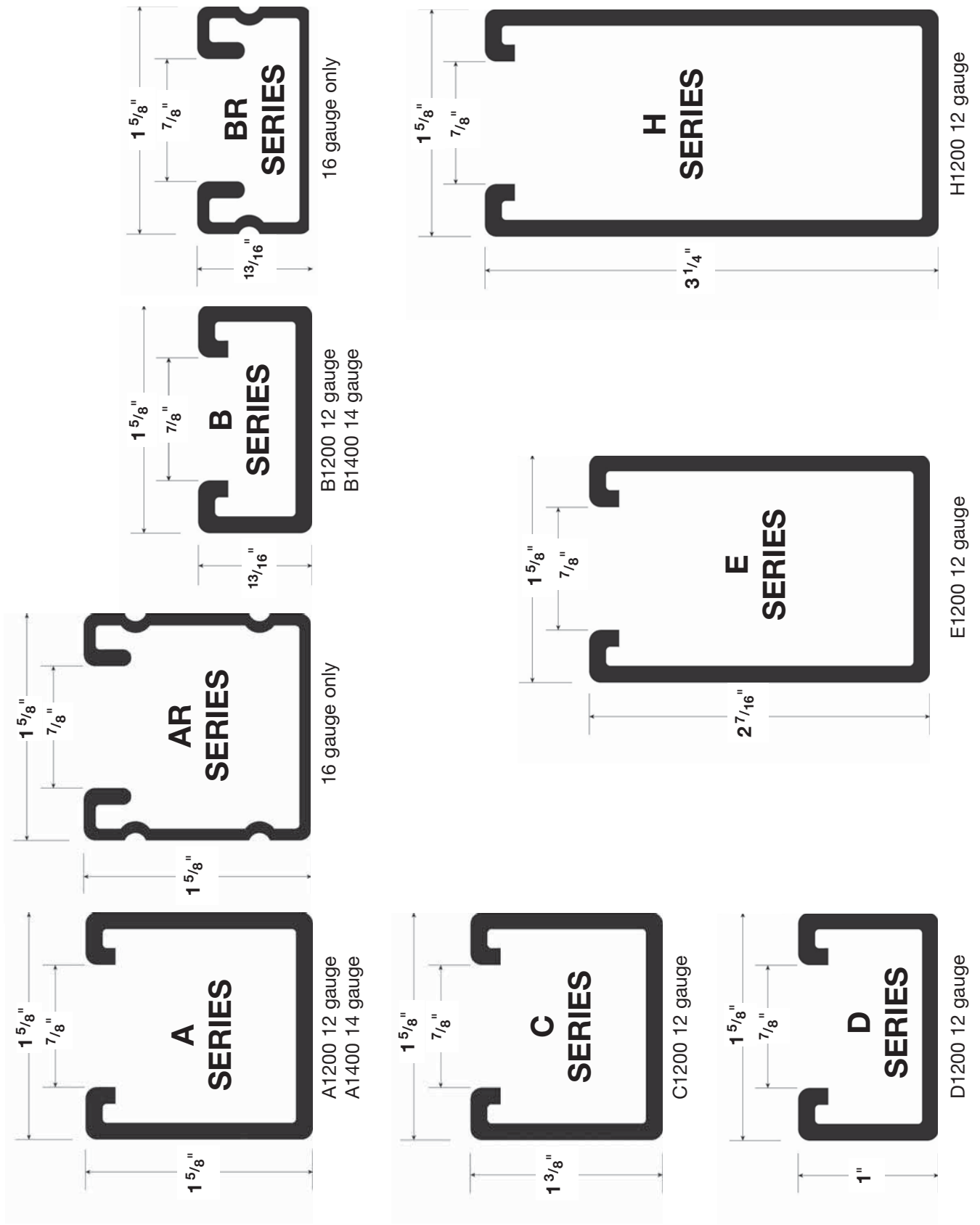
Load ratings as shown have a safety factor of 3 in 3000 lb. hard rock concrete. Where sound concrete does not exist, the load ratings shall not apply.

GoldGalv® hardware finish is standard for all Superstrut Concrete insert products. This is a multi-process finish of electro-plated zinc, followed by gold colored zinc dichromate to give excellent corrosion resistance and a superior paint base.

*For more information on load design, see Section 8 for Engineering Data and Specifications.*

**Channels at Full Scale**

Available in 10 and 20 foot lengths



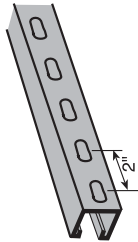
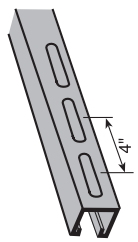
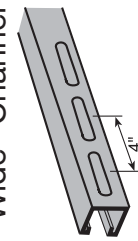
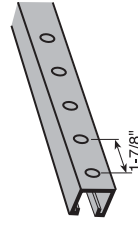
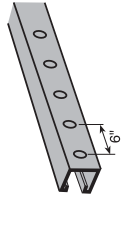
**Channel Selection Chart**

CHANNEL	HOLE CONFIGURATIONS						LENGTH	FINISH ON STEEL						MATÉRIAUX SPÉCIAUX		
	HS	S	SW	P	KO	ft		BC	PG(C)	EG(C)	GoldGalv®	HDG(C)	GR,GY,WH	PV(C)	AL(C)	T316L
<b>Series</b>	<b>HS</b>	<b>S</b>	<b>SW</b>	<b>P</b>	<b>KO</b>	<b>ft</b>	<b>BC</b>	<b>PG(C)</b>	<b>EG(C)</b>	<b>GoldGalv®</b>	<b>HDG(C)</b>	<b>GR,GY,WH</b>	<b>PV(C)</b>	<b>AL(C)</b>	<b>T316L</b>	<b>SS6(C)</b>
A1200						10 or 20										
A1400						10 or 20										
AR1600						10 or 20										
B1200						10 or 20										
B1400						10 or 20										
BR1600						10 or 20										
C1200						10 or 20										
D1200						10 or 20										
E1200						10 or 20										
H1200						10 or 20										

**Legend**

EXAMPLES	HOLE CONFIGURATION	FINISH ON STEEL	SPECIAL MATERIALS
<b>A120010PG</b> Plain channel, 10 ft., pre- galvanized finish	Suffix <b>blank</b> <b>HS</b> <b>S</b> <b>SW</b>	Suffix <b>BC</b> <b>PGC</b> <b>EGC</b> <b>No Suffix</b>	Suffix <b>AL</b> <b>SS6 (C)</b> <b>T316L</b> <b>SS (C)</b>
<b>B1400P10</b> Punched channel, 10 ft., GoldGalv® finish	Plain, no holes Half slot Slotted Slotted wide	Bare Pre-galvanized Electrogalvanized GoldGalv®	Aluminum Stainless Steel Type 316 Stainless Steel Type 316L Stainless Steel Type 304 *
<b>E1200HS20HDG</b> Half slot channel, 20 ft hot dipped galvanized	Punched Knockout	Hot dipped galvanized Epoxy paint in green (GR), grey (GY), or white (WH)	
	Standard offering.	A minimum order quantity may apply.	*Check with your Regional Sales Office

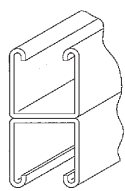
**Hole Configuration**

	Half Slot Channel	Slots: 9/16" X 1-1/8"
	Slotted Channel	Slots: 7/16" X 3"
	SW "Slotted Wide" Channel	Slots: 9/16" X 3"
	Punched Channel	Holes: 9/16"
	Channel with Knockouts	KO: 1/2"

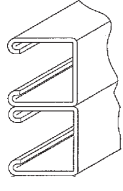
## SECTION 1

## Channels and Concrete Inserts

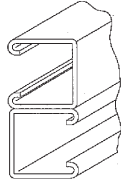
### Welded Combinations



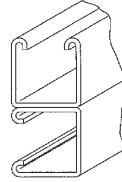
02



02A



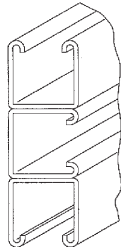
02B



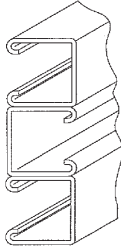
02C

**EXAMPLES**

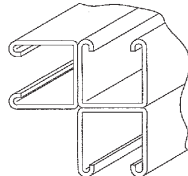
Two A1200 channels back to back are ordered as A1202. Two A1200 channels back to side are ordered as A1202C.



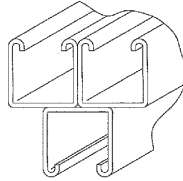
03A



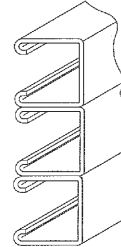
03B



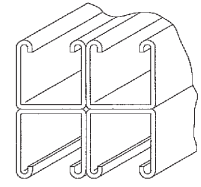
03C



03D



03E

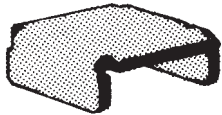


04

Back to back steel channel is riveted at every 4 inches. Aluminum back to back channel are extruded profiles. All other combinations are spot welded at every 4 inches.

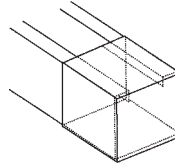
### End Caps and Closure Strips

#### A804 End Cap



Cat. No.	For Channel	Wt./C lb
A804EG	A1200	10
	A1400 AR1600	10
B804EG	B1400 BR1600	5
C804EG	C1200	8
E804EG	E1200	15
H804	H1200	20

#### Safety End Cap



1-5/8" x 1-5/8" White Plastisol.

Cat. No.	For Channel	Wt/C lb
A804NEOPWH	A1200 AR1600	1.75
	A1400	
B804NEOPWH	B1200-BR1600	1.5
H804NEOPWH	H1200	2

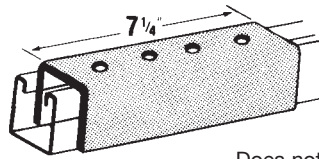
#### A2431 End Cap



For A1200 Channel  
Available in GoldGalv® or  
ElectroGalvanized (EG).

Wt./C 16 lb

#### A208

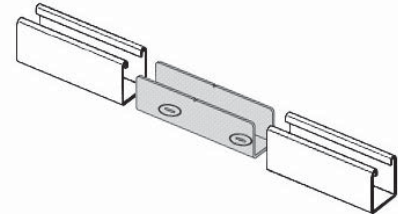


A208HDGC  
A208EG  
A208  
A208SS6C

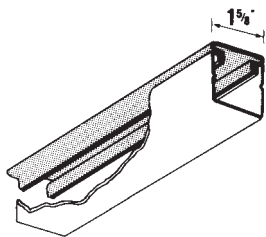
Does not include  
stud nut or bolts.

For A and AR  
series channel.  
Wt./C 275 lb

#### A213 Inside Joiner



For A1200 Series only.  
Available only in GoldGalv® finish.



**AB844PGC**  
Pre-Galvanized Closure Strip  
**AB844PCGY**  
Plastic Closure Strip  
Colour: Grey

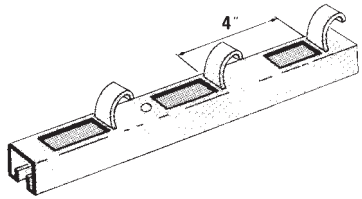
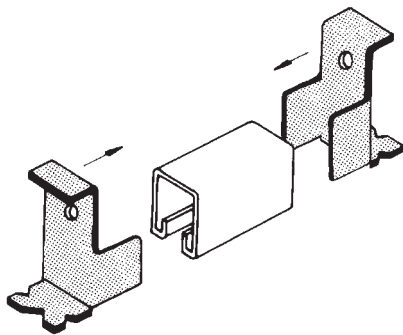
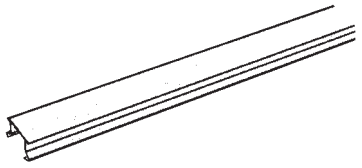
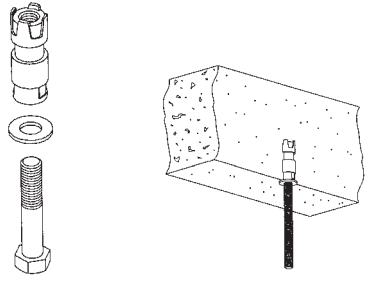
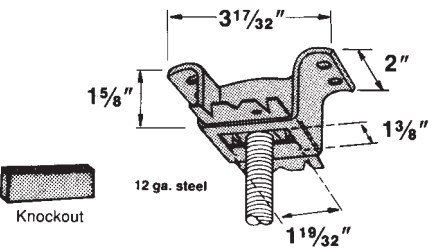
**AB844PC**  
Plastic Closure Strip  
Colour: Gold

For all channel. Standard lengths 10 ft

**Channels and Concrete Inserts**

**SECTION 1**

**Concrete Inserts**

<p><b>Concrete Channel Inserts</b></p> <p>*Finishes HDGC GoldGalv® PGC</p>  <p>Insert with end caps and foam closure strip installed.</p> <table border="1"> <thead> <tr> <th>Cat. No.</th> <th>Length</th> <th>Gauge</th> <th>Wt.</th> </tr> </thead> <tbody> <tr> <td><b>A302-10*</b></td> <td>10 ft</td> <td>12</td> <td>2.19 lb/ft</td> </tr> <tr> <td><b>A302-20*</b></td> <td>20 ft</td> <td>12</td> <td>2.19 lb/ft</td> </tr> <tr> <td><b>B302-10*</b></td> <td>10 ft</td> <td>12</td> <td>1.36 lb/ft</td> </tr> <tr> <td><b>B302-20*</b></td> <td>20 ft</td> <td>12</td> <td>1.36 lb/ft</td> </tr> <tr> <td><b>C302-10*</b></td> <td>10 ft</td> <td>12</td> <td>1.81 lb/ft</td> </tr> </tbody> </table> <p>Design Load 2000 lb per foot in hard rock concrete with a safety factor of 3. Standard lengths 10 ft and 20 ft. Length tolerance: 3/16 in.</p>	Cat. No.	Length	Gauge	Wt.	<b>A302-10*</b>	10 ft	12	2.19 lb/ft	<b>A302-20*</b>	20 ft	12	2.19 lb/ft	<b>B302-10*</b>	10 ft	12	1.36 lb/ft	<b>B302-20*</b>	20 ft	12	1.36 lb/ft	<b>C302-10*</b>	10 ft	12	1.81 lb/ft	<p><b>Anchor Caps</b></p> <p>*Finishes EGC GoldGalv®</p>  <p>12 gauge, Wt./C: 30 lb/C</p> <p>A450* For A Series C450* For C Series</p> <p>From pieces of A, B, C channel and a pair of anchor caps, short concrete inserts can be fabricated in the field.</p>	<p><b>460-10TB</b> Removable Plastic Closure Strip</p>  <p>Designed as an added precaution to keep insert free of concrete. Closure strip fits all 1-5/8" wide strip inserts, regardless of depth.</p> <p>Order per 10 foot, standard length is 10 ft Material - Black Plastic</p> <p style="text-align: right;">Wt./C 52 lb</p>
Cat. No.	Length	Gauge	Wt.																							
<b>A302-10*</b>	10 ft	12	2.19 lb/ft																							
<b>A302-20*</b>	20 ft	12	2.19 lb/ft																							
<b>B302-10*</b>	10 ft	12	1.36 lb/ft																							
<b>B302-20*</b>	20 ft	12	1.36 lb/ft																							
<b>C302-10*</b>	10 ft	12	1.81 lb/ft																							
<p><b>SI400</b> Spot Insert Kit</p>  <p><b>STD PACK: 10</b></p> <table border="1"> <thead> <tr> <th>Cat. No.</th> <th>Length ft.</th> <th>O.D. Insert</th> <th>Wt./C lb</th> </tr> </thead> <tbody> <tr> <td><b>SI400-3/8</b></td> <td>3/8x13x2-3/4</td> <td>2x5/8</td> <td>10</td> </tr> <tr> <td><b>SI400-1/2</b></td> <td>1/2x13x1-1/4</td> <td>2-1/2x7/8</td> <td>35</td> </tr> </tbody> </table> <p>Other sizes available Maximum recommended load: SI400-3/8 = 450 lb/204 kg SI400-1/2 = 1000 lb/454 kg</p>	Cat. No.	Length ft.	O.D. Insert	Wt./C lb	<b>SI400-3/8</b>	3/8x13x2-3/4	2x5/8	10	<b>SI400-1/2</b>	1/2x13x1-1/4	2-1/2x7/8	35	<p><b>452TB</b> Spot Insert</p>  <p>Standard Finish – GoldGalv®</p> <p>An insert with a knockout saves covering the opening. Accommodates hanger rod sizes from 1/4" through 7/8" by means of an AB102 insert nut, to be ordered separately.</p> <p>Design load: 1350 lb in 3000 lb. hard rock concrete with a safety factor of 3.</p> <p>Complies with Specification MSS SP69, Type 18.</p> <p style="text-align: right;">Wt./C 52 lb</p>													
Cat. No.	Length ft.	O.D. Insert	Wt./C lb																							
<b>SI400-3/8</b>	3/8x13x2-3/4	2x5/8	10																							
<b>SI400-1/2</b>	1/2x13x1-1/4	2-1/2x7/8	35																							