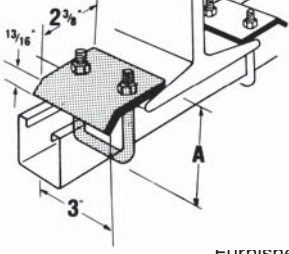
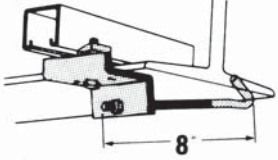
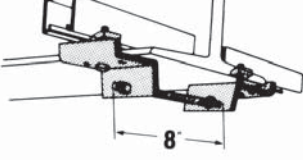
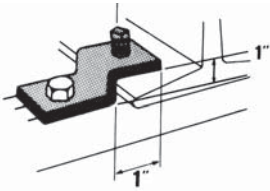
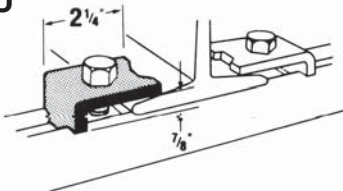
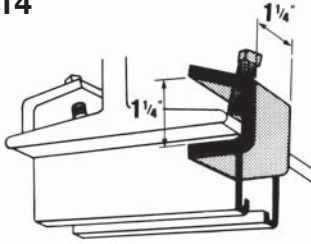
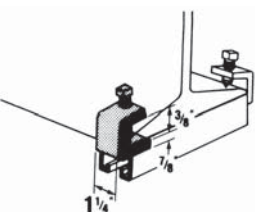
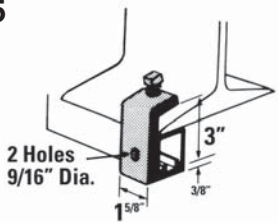
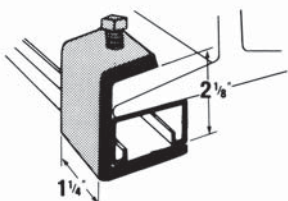


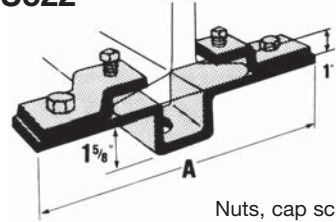
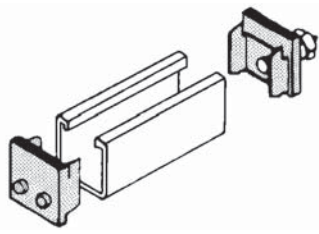
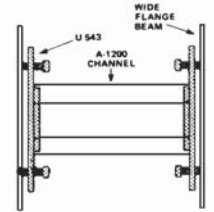
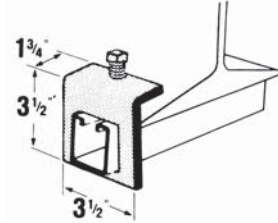
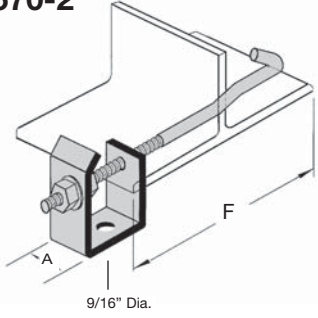
Beam Clamps for Mounting Channel

<p>U501, U502</p>  <p>*Finishes HDG EG GoldGalv® SS6C</p> <p>Furnished complete Design Load U501 : 2150 lb U502 : 3000 lb</p> <table border="1"> <thead> <tr> <th>Cat. No.</th> <th>For Channel</th> <th>A</th> <th>Wt./C lb</th> </tr> </thead> <tbody> <tr> <td rowspan="3">U501*</td> <td>A1200 A1400</td> <td rowspan="3">3-3/16</td> <td rowspan="3">90</td> </tr> <tr> <td>B1200 B1400</td> </tr> <tr> <td>C1200 B1402</td> </tr> <tr> <td rowspan="2">U502*</td> <td>A1202 A1402</td> <td rowspan="2">4-13/16</td> <td rowspan="2">100</td> </tr> <tr> <td>C1202 H1200</td> </tr> </tbody> </table>	Cat. No.	For Channel	A	Wt./C lb	U501*	A1200 A1400	3-3/16	90	B1200 B1400	C1200 B1402	U502*	A1202 A1402	4-13/16	100	C1202 H1200	<p>U504</p>  <p>U504HDG U504EG U504 U504SS6</p> <p>Can be used with all channels.</p> <p>Wt./C 140 lb</p>	<p>U505</p>  <p>U505HDG U505EG U505</p> <p>Can be used with all channels.</p> <p>Wt./C 270 lb</p>
Cat. No.	For Channel	A	Wt./C lb														
U501*	A1200 A1400	3-3/16	90														
	B1200 B1400																
	C1200 B1402																
U502*	A1202 A1402	4-13/16	100														
	C1202 H1200																
<p>U510</p>  <p>1/2" x 1-1/2" set screw included. Order separately one 1/2" x 1-1/2" hex head cap screw and 1/2" channel nut.</p> <table border="1"> <thead> <tr> <th>Design Load lb</th> <th>Channel</th> </tr> </thead> <tbody> <tr> <td>1000</td> <td>A1200</td> </tr> <tr> <td>800</td> <td>A1400</td> </tr> </tbody> </table> <p>U510HDGC U510EG U510 U510SS6</p> <p>Wt./C 75 lb</p>	Design Load lb	Channel	1000	A1200	800	A1400	<p>512U</p>  <p>Order separately one 1/2" x 1-1/2" hex head cap screw and 1/2" channel nut.</p> <table border="1"> <thead> <tr> <th>Design Load lb</th> <th>Channel</th> </tr> </thead> <tbody> <tr> <td>1000</td> <td>A1200</td> </tr> <tr> <td>800</td> <td>A1400</td> </tr> </tbody> </table> <p>512UHDG 512UEG 512U</p> <p>Wt./C 26 lb</p>	Design Load lb	Channel	1000	A1200	800	A1400	<p>U514</p>  <p>3/8" x 1-1/2" set screw included. Design Load 750 lb/pair</p> <p>U514HDGC U514EG U514 U514SS6</p> <p>Wt./C 40 lb</p>			
Design Load lb	Channel																
1000	A1200																
800	A1400																
Design Load lb	Channel																
1000	A1200																
800	A1400																
<p>U514-A</p>  <p>1/2" x 1-1/2" set screw included. Design Load 1650 lb/pair</p> <p>U514-AHDGC U514-AEG U514-A U514-ASS6</p> <p>Wt./C 59 lb</p>	<p>U515</p>  <p>For all A series channel. 1/2" x 1-1/2" set screw included. Design Load 800 lb</p> <p>U515HDGC U515EG U515 U515SS6</p> <p>Wt./C 95 lb</p>	<p>U515-B</p>  <p>For all B series channel. 1/2" x 1-1/2" set screw included. Design Load 800 lb</p> <p>U515BHDG U515BEG U515B U515BSS6</p> <p>Wt./C 91 lb</p>															

Beam Clamps

SECTION 4

Beam Clamps for Mounting Channel

<p>U520 U521 U522</p> <p><i>*Finishes GoldGalv® EG</i></p>  <p>Nuts, cap screws and set screws included.</p> <table border="1"> <thead> <tr> <th colspan="5">Design</th> </tr> <tr> <th>Cat. No.</th> <th>Flange Width</th> <th>A</th> <th>Wt./C lb</th> <th>Load lb</th> </tr> </thead> <tbody> <tr> <td>U520*</td> <td>2-3/8 - 4-1/2</td> <td>8-3/4</td> <td>328</td> <td>2000</td> </tr> <tr> <td>U521*</td> <td>3-3/4 - 5-3/4</td> <td>10</td> <td>343</td> <td>1300</td> </tr> <tr> <td>U522*</td> <td>5-5/8 - 7-5/8</td> <td>11-7/8</td> <td>353</td> <td>900</td> </tr> </tbody> </table>	Design					Cat. No.	Flange Width	A	Wt./C lb	Load lb	U520*	2-3/8 - 4-1/2	8-3/4	328	2000	U521*	3-3/4 - 5-3/4	10	343	1300	U522*	5-5/8 - 7-5/8	11-7/8	353	900	<p>U544 Single Adjusting Screw End Cap Set</p>  <p>Should be ordered as one set.</p> <p>U544EG Wt./C 39 lb</p>	<p>U543 Adjusting Screw End Caps</p>  <p>Should be ordered in multiples of two (2).</p> <p>U543HDG U543EG U543 Wt./C 44 lb</p>							
Design																																		
Cat. No.	Flange Width	A	Wt./C lb	Load lb																														
U520*	2-3/8 - 4-1/2	8-3/4	328	2000																														
U521*	3-3/4 - 5-3/4	10	343	1300																														
U522*	5-5/8 - 7-5/8	11-7/8	353	900																														
<p>A597</p> <p><i>*Finishes HDGC SS6</i></p>  <table border="1"> <thead> <tr> <th colspan="4">Design</th> </tr> <tr> <th>Cat. No.</th> <th>Channel Series</th> <th>Wt./C lb</th> <th>Load lb/ea.</th> </tr> </thead> <tbody> <tr> <td>A597*</td> <td>A</td> <td>108</td> <td>800</td> </tr> </tbody> </table>	Design				Cat. No.	Channel Series	Wt./C lb	Load lb/ea.	A597*	A	108	800	<p>U570-1 U570-2</p> <p><i>*Finish HDGC</i></p>  <table border="1"> <thead> <tr> <th colspan="5">Design</th> </tr> <tr> <th>Cat. no.</th> <th>A in.</th> <th>F in.</th> <th>Wt./C lbs</th> <th>Load lbs</th> </tr> </thead> <tbody> <tr> <td>U570-1*</td> <td>1-1/2</td> <td>4 to 9</td> <td>240</td> <td>800</td> </tr> <tr> <td>U570-2*</td> <td>1-1/2</td> <td>7 to 17</td> <td>300</td> <td>800</td> </tr> </tbody> </table>	Design					Cat. no.	A in.	F in.	Wt./C lbs	Load lbs	U570-1*	1-1/2	4 to 9	240	800	U570-2*	1-1/2	7 to 17	300	800	
Design																																		
Cat. No.	Channel Series	Wt./C lb	Load lb/ea.																															
A597*	A	108	800																															
Design																																		
Cat. no.	A in.	F in.	Wt./C lbs	Load lbs																														
U570-1*	1-1/2	4 to 9	240	800																														
U570-2*	1-1/2	7 to 17	300	800																														

Materials	HDG(C) EG(C) (No suffix) SS6(C)	Hot-Dipped Galvanized Electrogalvanized GoldGalv® Stainless Steel 316
------------------	--	--