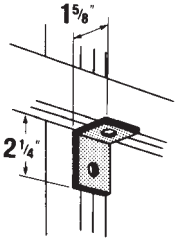
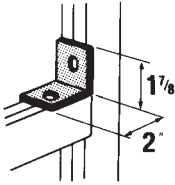
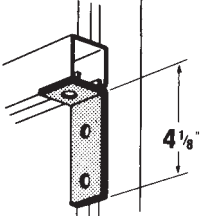
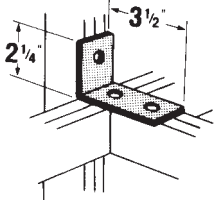
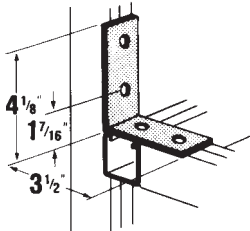
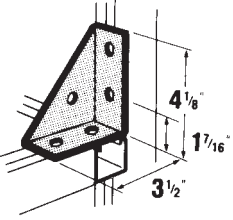
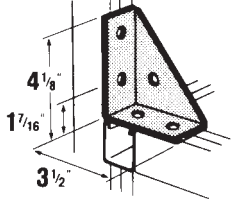
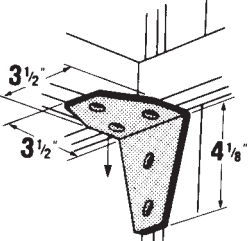
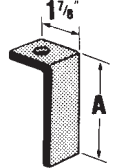
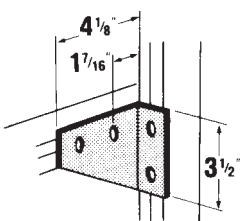
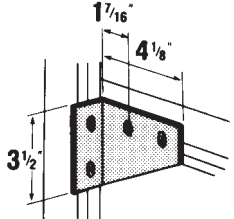
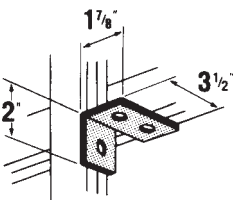
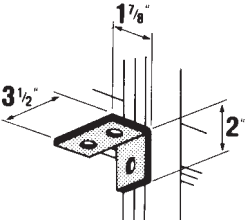
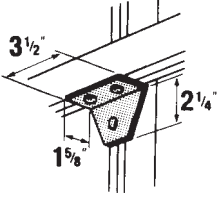
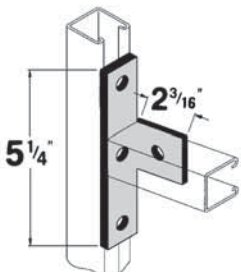


Fittings and Brackets

SECTION 3

90° Fittings

<p>AB201</p>  <p>AB201HDGC AB201EG AB201 AB201SS6C</p> <p>Wt./C 35 lb</p>	<p>AB202</p>  <p>AB202HDGC AB202EG AB202 AB202SS6C</p> <p>Wt./C 35 lb</p>	<p>AB203</p>  <p>AB203HDGC AB203EG AB203 AB203SS6C</p> <p>Wt./C 58 lb</p>															
<p>AB204</p>  <p>AB204HDGC AB204EG AB204 AB204SS6</p> <p>Wt./C 58 lb</p>	<p>AB205</p>  <p>AB205HDGC AB205EG AB205 AB205SS6C</p> <p>Wt./C 78 lb</p>	<p>AB213</p>  <p>AB213HDGC AB213EG AB213</p> <p>Wt./C 125 lb</p>															
<p>AB214</p>  <p>AB214HDGC AB214EG AB214 AB214SS6</p> <p>Wt./C 125 lb</p>	<p>AB216</p>  <p>AB216HDGC AB216EG AB216SS6C</p> <p>Wt./C 135 lb</p>	<p>AB252</p> <p>*Finishes HDGC GoldGalv® EG</p> <table border="1"> <thead> <tr> <th>Cat. No.</th> <th>A</th> <th>Wt./C lb</th> </tr> </thead> <tbody> <tr> <td>AB252-1*</td> <td>3-7/8</td> <td>61</td> </tr> <tr> <td>AB252-2*</td> <td>5-7/8</td> <td>84</td> </tr> <tr> <td>AB252-3*</td> <td>7-7/8</td> <td>107</td> </tr> <tr> <td>AB252-4*</td> <td>9-7/8</td> <td>130</td> </tr> </tbody> </table> 	Cat. No.	A	Wt./C lb	AB252-1*	3-7/8	61	AB252-2*	5-7/8	84	AB252-3*	7-7/8	107	AB252-4*	9-7/8	130
Cat. No.	A	Wt./C lb															
AB252-1*	3-7/8	61															
AB252-2*	5-7/8	84															
AB252-3*	7-7/8	107															
AB252-4*	9-7/8	130															
<p>AB254R</p>  <p>AB254RHDGC AB254REG AB254R</p> <p>Wt./C 105 lb</p>	<p>AB254L</p>  <p>AB254LHDGC AB254LEG AB254L</p> <p>Wt./C 105 lb</p>	<p>AB260R</p>  <p>AB260RHDGC AB260REG AB260R</p> <p>Wt./C 58 lb</p>															
<p>AB260L</p>  <p>AB260LHDGC AB260LEG AB260L</p> <p>Wt./C 58 lb</p>	<p>AB274</p>  <p>AB274HDG AB274EG AB274</p> <p>Wt./C 70 lb</p>	<p>AB275</p>  <p>AB275HDGC AB275EG AB275SS6C</p> <p>Wt./C 77 lb</p>															

Standard Dimensions

Hole Spacing 13/16" From End
Hole Spacing 1-7/8" Centers
Hole Size 9/16" Diam.
Material 1-5/8" Width
Material 1/4" Thick

Materials

HDG(C)
EG(C)
(No suffix)
SS6(C)

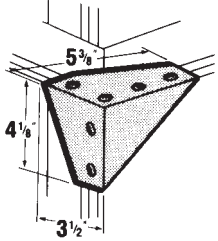
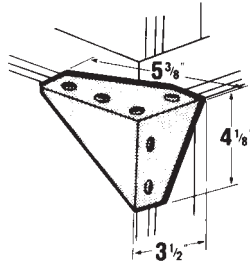
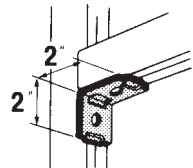
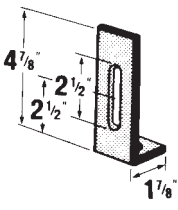
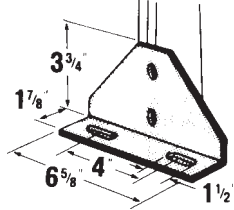
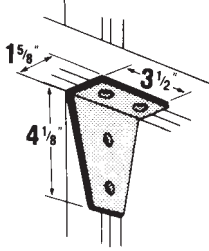
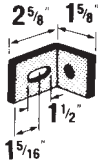
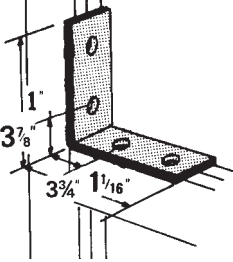
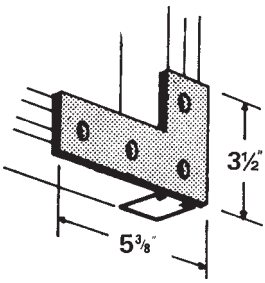
Hot-Dipped Galvanized
Electrogalvanized
GoldGalv®
Stainless Steel 316

Thomas & Betts

SECTION 3

Fittings and Brackets

90° Fittings

<p>AB284R</p>  <p>AB284RHDG AB284REG AB284R</p> <p>Wt./C 230 lb</p>	<p>AB284L</p>  <p>AB284LHDG AB284LEG AB284L</p> <p>Wt./C 230 lb</p>	<p>AB299</p>  <p>AB299HDG AB299EG AB299</p> <p>Wt./C 40 lb</p>
<p>X201</p>  <p>X201HDG X201EG X201</p> <p>Wt./C 65 lb</p>	<p>X204</p>  <p>X204HDG X204EG X204</p> <p>Wt./C 1-90 lb</p>	<p>X289</p>  <p>X289HDGC X289EG X289</p> <p>Wt./C 105 lb</p>
<p>X299</p>  <p>X299HDGC X299EG X299</p> <p>Wt./C 38 lb</p>	<p>N205</p>  <p>N205HDGC N205EG N205 N205SS6C</p> <p>Wt./C 74 lb</p>	<p>N219</p>  <p>N219HDG N219EG N219 N219SS6</p> <p>Wt./C 71 lb</p>