

# Mounting Bases for Heavy-Duty Applications

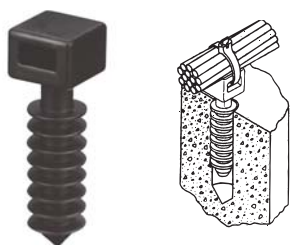


## Ty-Rap® Mounting Base for Lashing Tie

Cat. No.	Mounting Method	Maximum Tie Width Accom.	Width (in.)	Length (in.)	Std. Pkg.
TC5355	#8 screw	.500	.750	1.125	25
TC5356	#10 screw	.500	.750	1.125	25
TC5357	1/4 screw	.500	.750	1.125	25

Weather-resistant nylon mounting base for use with lashing tie Cat. No. TY-5409 (.500" wide).

## Ty-Rap® Mounting Base for Masonry and Brick Surfaces



**Only two sizes to stock—reduces inventory**  
**The new base features a specially designed head which is range-taking. Just two sizes can accommodate virtually all of your cable-to-masonry clamping needs.**

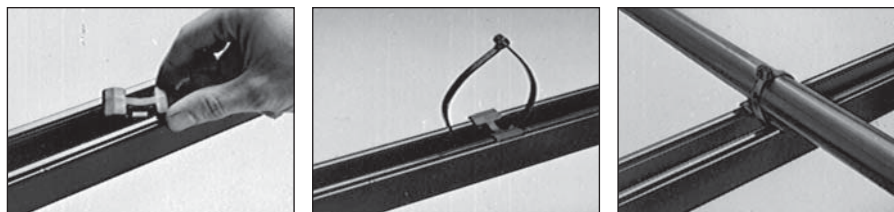
Cat. No.	Hole Size in Masonry	Maximum Tie Width Accom.	Std. Pkg.
TC5358	1/4	.190	100
TC5359	3/8	.500	50

- Quick, easy installation without adhesives or epoxies.
- Provides a quick, easy means of attaching cable and wires to masonry surfaces.
- Installs simply by tapping it into a drilled hole.
- It's immediately ready to accept a cable tie and wire bundle, no tedious surface preparation, no waiting for adhesives to set.
- Provides quick, dependable mechanical installation.
- Replaces a variety of anchors, clamps, screws, and adhesives.
- Designed for both indoor and outdoor applications made of a special impact and ultraviolet resistant black nylon, the new base is designed for both indoor and outdoor use, in addition, shelf life is indefinite because it uses no adhesives.

## Framing Channel Clamp



- **Installs with a push and twist**
- **Designed for indoor or outdoor use**
- **Smooth design protects cable insulation**
- **Takes range of cable diameters**

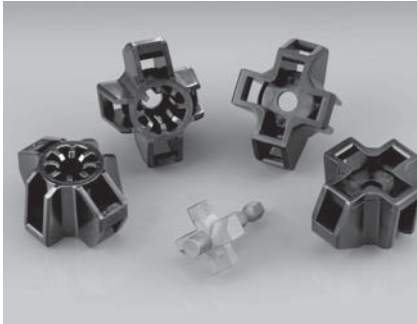


Mounting bases for heavy duty applications are made from high-impact weather-resistant nylon.

When fastening wire bundles, cables, or hoses to framing channels, you can cut costs considerably by using the Ty-Rap® cable clamp. It is made of smooth, weather-resistant nylon and designed to protect cable insulation and hoses from wear or damage as can occur with metal clamps. The clamp may be used for both indoor or outdoor applications. It installs in the framing channel with a simple push and twist. It requires no screws, nuts or tools. The clamp fits all 1-1/2" and 1-5/8" channels regardless of channel depth.

Cat. No.	Channel Size	Maximum Tie Width Accom.	Std. Pkg.
TC5363X	1.5 & 1.625	.301	50

# Mounting Bases for Heavy-Duty Applications



The Stud Mount Cable Fastening System includes a range of bases and the custom drill bit which mounts all sizes.

## Features and Benefits

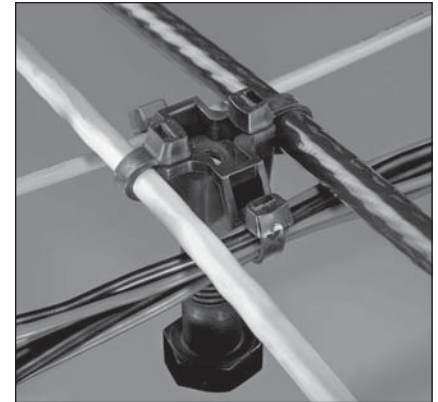
- **Fast, easy installation, using standard 3/8" power drill**
- **Custom drill bit quickly installs base to proper torque—won't crack or break mounting base due to being overtightened**
- **Unlimited harnessing flexibility using conventional T&B cable ties**
- **Unique 4-way multi-directional design**
- **10 position harness capability**
- **Available for 3/8", 1/2", 5/8", & 3/4" stud/bolt sizes**
- **Self-tapping thread design for reliable installation onto stud**
- **High pull-out strength of 500 + lb.**
- **Custom application tool for standard 3/8" power drill**
- **Material: Black 6/6 Nylon**

## Fast, easy wire management to last for the long haul.

Thomas & Betts' Stud Mount Fastening System is a fast and simple harnessing method for neat, versatile wire management. Using a custom drill bit for your 3/8" power drill, the Stud Mount base is quickly attached onto a stud to the proper torque every time. The innovative "X" design of the base reliably supports many types of cable or hose assemblies using a wide range of conventional T&B cable ties. Designed with ten separate lashing positions, the Stud Mount offers unlimited wire harnessing arrangements. T&B's Stud Mount is available in four convenient stud bolt sizes.



During installation, the custom Stud Mount drill bit ejects itself from mounting base, ensuring proper torque and preventing cracking or breaking of the mount from being overtightened.



Virtually unlimited harnessing flexibility is provided in the unique 10-position harness design of the Stud Mount base.

## Ordering Information

Cat. No.	Description	Stud Size	Material	Colour
<b>XMNY-375-0-D</b>	Mount Fastener	3/8	Nylon 6/6, UV Stabilized	Black
<b>XMNY-500-0-D</b>	Mount Fastener	1/2	Nylon 6/6, UV Stabilized	Black
<b>XMNY-625-0-D</b>	Mount Fastener	5/8	Nylon 6/6, UV Stabilized	Black
<b>XMNY-750-0-D</b>	Mount Fastener	3/4	Nylon 6/6, UV Stabilized	Black
<b>WTXM</b>	Application Tool	—	Tool Steel	—