

**Ty-Duct™**

## Wiring Duct

Ty-Duct Accessories and Overview .....	96 - 98
Ordering Information for Ty-Duct .....	99
Solid Wall Wiring Duct.....	100 - 101
Wide Slot Wiring Duct .....	102 - 103
Narrow Slot Wiring Duct.....	104 - 105
Round Hole Wiring Duct.....	106 - 107
Wide Slot Wiring Duct, Halogen Free.....	108 - 109
Accessories.....	110 - 111, 125 - 126
Tools.....	112 - 113
Specifications.....	114 - 115
Technical Information.....	116 - 120, 127
Ty-Duct to Panduct Cross Reference .....	121 - 124

**Thomas & Betts**

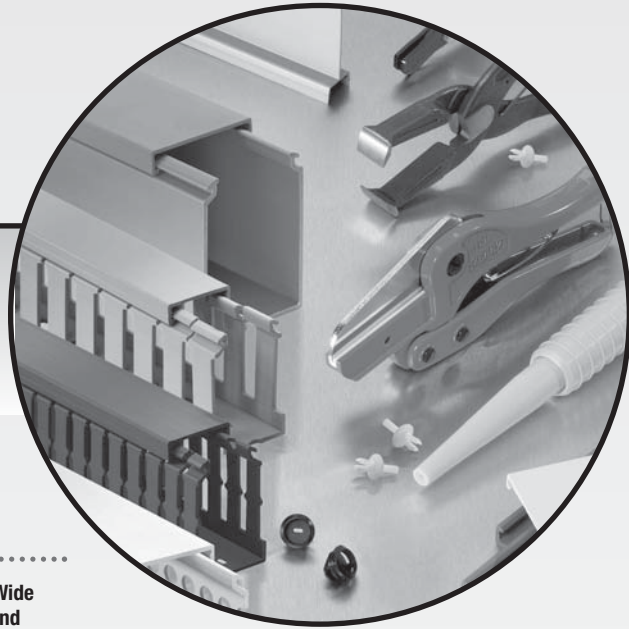
# Ty-Duct™ and Accessories

## Overview

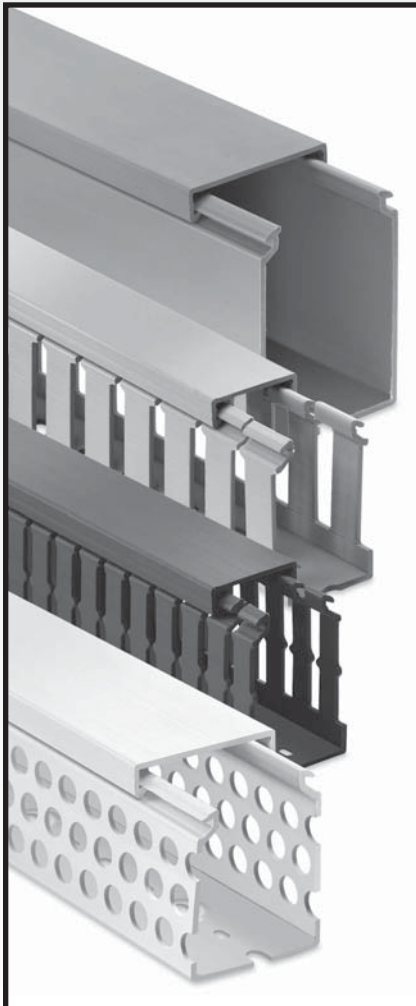
### Ty-Duct™ — The versatile configurations you need for routing and concealing wiring!

Thomas & Betts' innovative new Ty-Duct™ products offer a total solution for routing and concealing wiring in control panels. Many different sizes are available to accommodate anything from the smallest wallmount panel to the larger integrated systems!

Here are some of the impressive features incorporated into all of our wiring duct solutions.



### Ty-Duct Features



- Available in Solid, Wide Slot, Narrow Slot, and Round Hole versions to meet your capacity and flexibility needs
- Widths from .75" to 6" and depths from 1" to 5"
- Optional adhesive back for quick, hassle-free installation
- Complete selection of accessories and tools for installation
- Lead-free construction
- Lightweight Halogen-free unit available for Wide Slot Wiring Duct

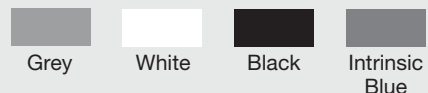


### Ty-Duct Certifications

- UL Recognized Continuous-Use Temperature — 50° C (122° F)
- UL 94 Flammability — Rating of V-0
- Conforms with NFPA 79-2002 Section 14.3.1 Requirement for Flame Retardant Material
- CE compliant for European shipping
- CSA Certified
- RoHS Compliant



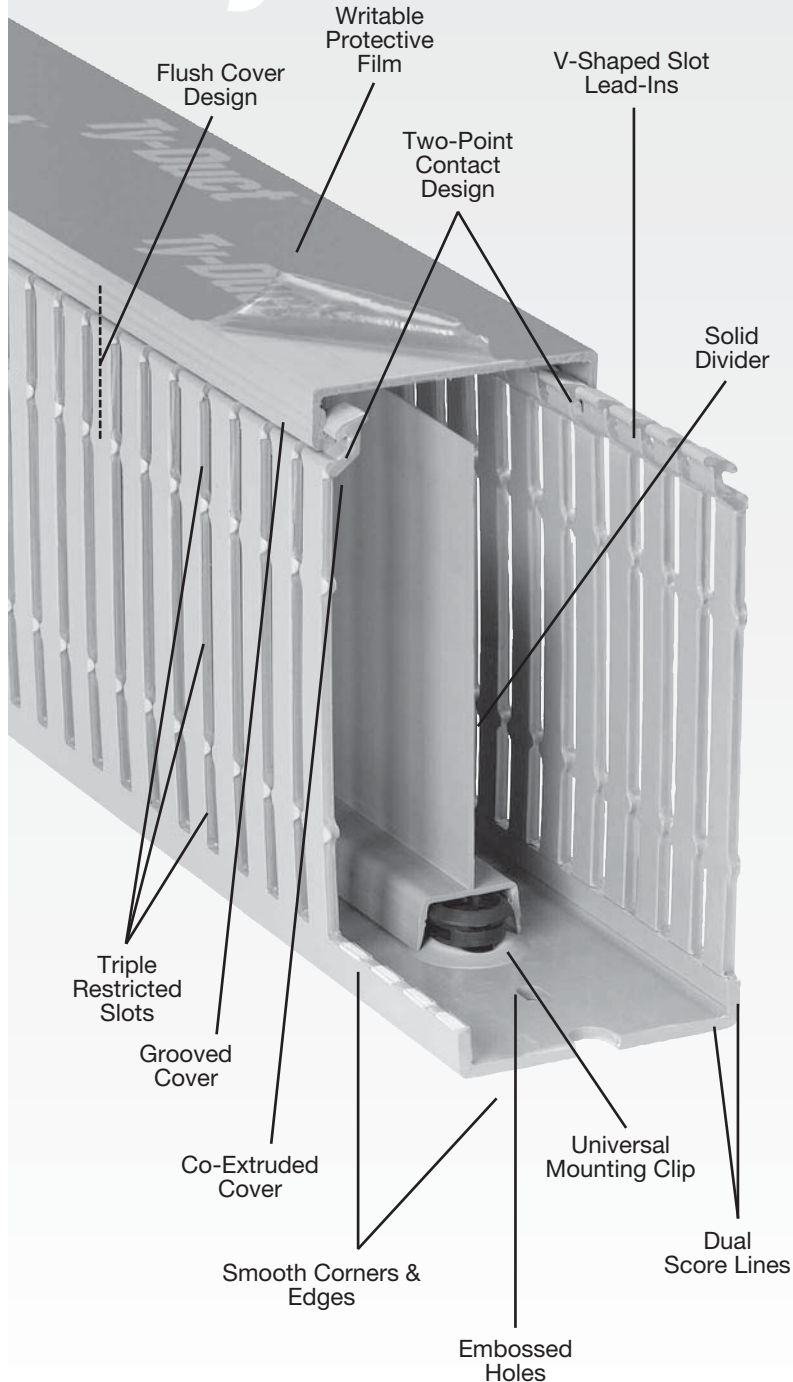
### Available in 4 Colours



# Ty-Duct™ and Accessories

## Overview

# Ty-Duct™



## Ty-Duct™ Advantages

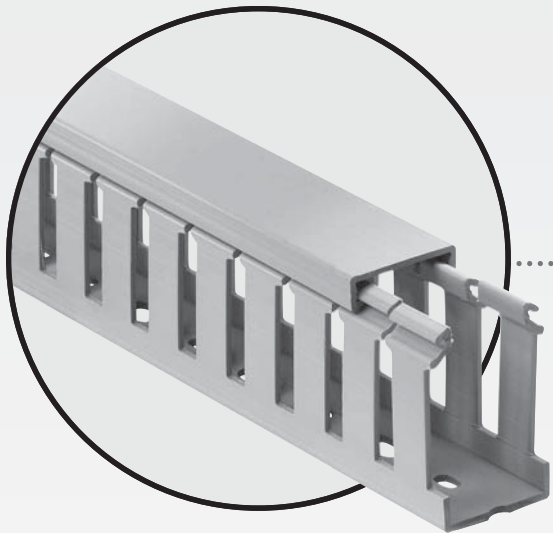
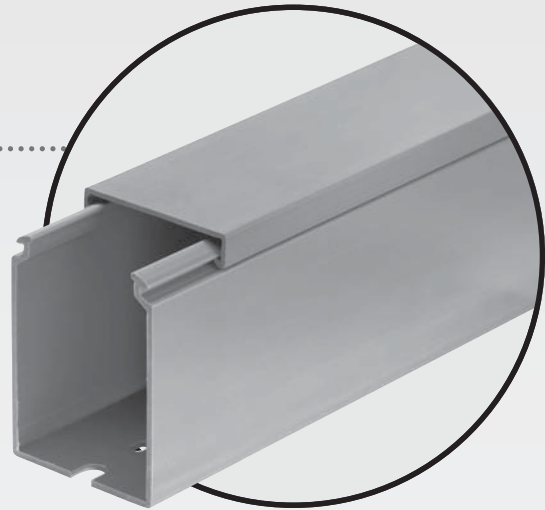
- **Two-point contact** design enables the cover to be easily installed in the right place with less force
- **Co-extruded cover** ensures the cover will stay in place and will not slip once installed
- **Smooth corners and edges** will not damage or disfigure wires
- **Flush cover design** enables greater capacity and sits flush with duct side wall
- **Triple restricted slots** speed installation while enabling better wire retaining in duct
- **Dual score lines** — Upper score line allows fingers to be broken out without tools and the lower score line allows side wall sections to be removed easily
- **V-shaped slot lead-in** funnels wires into slot for easier wire insertion
- **Staggered mounting hole pattern** (larger widths)
- **Universal Mounting Clip** secures into the base to perform several tasks:
  - Enables divider to be snapped into base
  - Slots in the Universal Mounting Clip allow cable ties to pass through to hold wire bundles in place
  - 2 slot sizes on Universal Mounting Clip accommodate traditional nylon cable ties or hook and loop fasteners
- **Slotted and Solid Divider** accommodates various wiring applications
- **Grooved cover** provides better grip for removal and placement of cover onto base
- **Writable protective film** on covers protects from work site scratches and scuffs and enables temporary marking or labeling
- **Embossed holes** enable Universal Mounting Clips to be installed, even after the duct has been riveted to the panel
- **PVC construction** is excellent for flame retardancy
- **North American and DIN standard mounting holes**

# Ty-Duct™ and Accessories

## Overview

### Solid Wall Wiring Duct

- Engineered to restrict wire access for greater security
- Available in improved flush sidewall and cover style for greater wire capacity

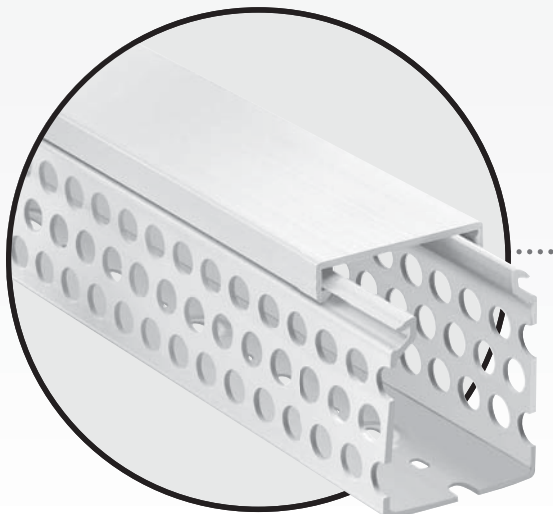
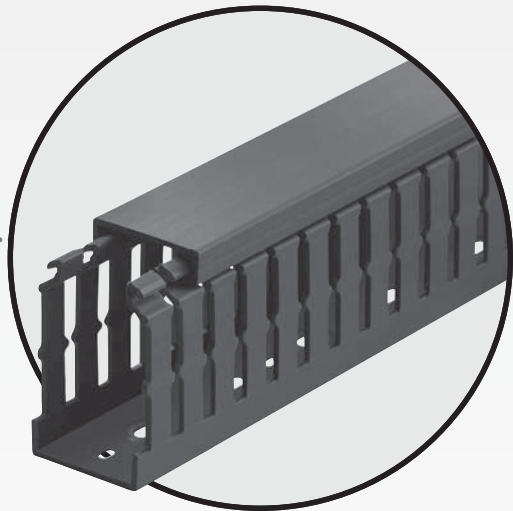


### Wide Slot Wiring Duct

- Wide fingers and slots increase rigidity and enable insertion of bundles
- Halogen-free version available

### Narrow Slot Wiring Duct

- Smaller, higher number of fingers for more concise harnessing
- Finger design restricts wire from slipping along the edge — creates two or three levels of wire service



### Round Hole Wiring Duct

- Multiple rows of holes retain wire at different heights and positions with or without the cover
- Features maximum number of wire holes

Ordering the Ty-Duct™ products you need is as easy as 1, 2, 3!

After selecting the appropriate Ty-Duct solutions for your application, make sure you complete the following checklist.

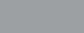



### For Ty-Duct Wiring Duct and Covers:

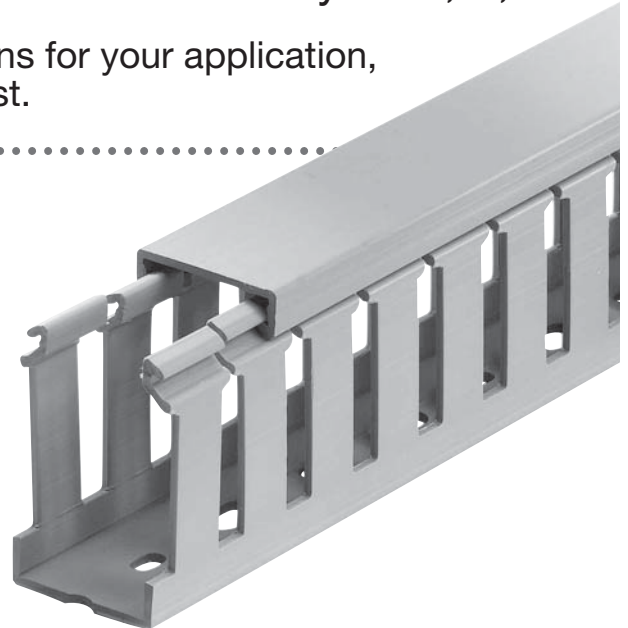
1 Specify colour

2 Indicate if you want the duct without mounting holes

3 Indicate if you want an adhesive-backed duct (not available in Wide Slot Duct — Halogen Free)

[ \_ ] = space for colour identifier:

<b>G</b> = Grey	
<b>W</b> = White	
<b>B</b> = Black	
<b>I</b> = Intrinsic Blue	



2 To order duct without mounting holes, add suffix NM to catalogue number. **Example:** TY75X1WPG6NM is a .75" x 1" wide slot grey duct with no mounting holes.

3 To order Adhesive-Backed Duct, add suffix A to Catalogue Number.  
**Example:** TY75X15WPB6A is a .75" x 1.5" wide slot black duct with adhesive backing.  
Shelf life for adhesive is 1 year.

CAT. NO.	DESCRIPTION	Nominal Width x Nominal Height		COVER CAT. NO.	Standard Carton Quantity		LENGTH (FT.)
		IN.	MM		DUCT STD. CTN. QTY.	COVER STD. CTN. QTY.	
TY75X1WP[G]6NM	.75 x 1 Wide Slot Duct	0.94 x 1.09	23.9 x 27.7		120		
TY75X15WP[B]6A	.75 x 1.5 Wide Slot Duct	0.94 x 1.56	23.9 x 39.6	TY75CP[_]6	120	120	6
TY75X2WP[I]6	.75 x 2 Wide Slot Duct	0.94 x 2.07	23.9 x 52.6		120		

SP=Solid  
WP=Wide Slot  
NP=Narrow Slot  
RP=Round Hole

1 Catalogue Number must be completed by adding suffix G for Grey, W for White, I for Intrinsic Blue, B for Black. **Example:** TY75X2WPI6 is a .75" x 2" wide slot intrinsic blue duct. Cover colour must be specified also.

Standard lengths are 6 feet.

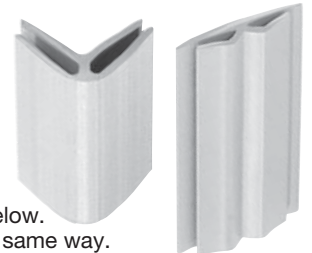
### For Ty-Duct Dividers:

Catalogue Number must be completed by adding suffix S for Solid or W for Wide Slot. **Example:** TY2DSPG6 is a 2" high solid wall grey divider.

CAT. NO.	DESCRIPTION	LENGTH (FT.)	STD. CTN. QTY
TY2D[S]P[G]6	2" High Wall Divider	6	120

Catalogue Number must be completed by adding suffix G for Grey, W for White, I for Intrinsic Blue, B for Black. **Example:** TY2DSPG6 is a 2" high solid wall grey divider.

### For Ty-Duct Corner & Joining Strips:



Corner Strip sample shown below. Joining Strips are ordered the same way.

CAT. NO.	DESCRIPTION	LENGTH (FT.)	STD. CTN. QTY
TYCS[G]6	Corner Strip	6	120

Catalogue Number must be completed by adding suffix G for Grey, W for White, I for Intrinsic Blue, B for Black. **Example:** TYCSG6 is a grey corner strip.

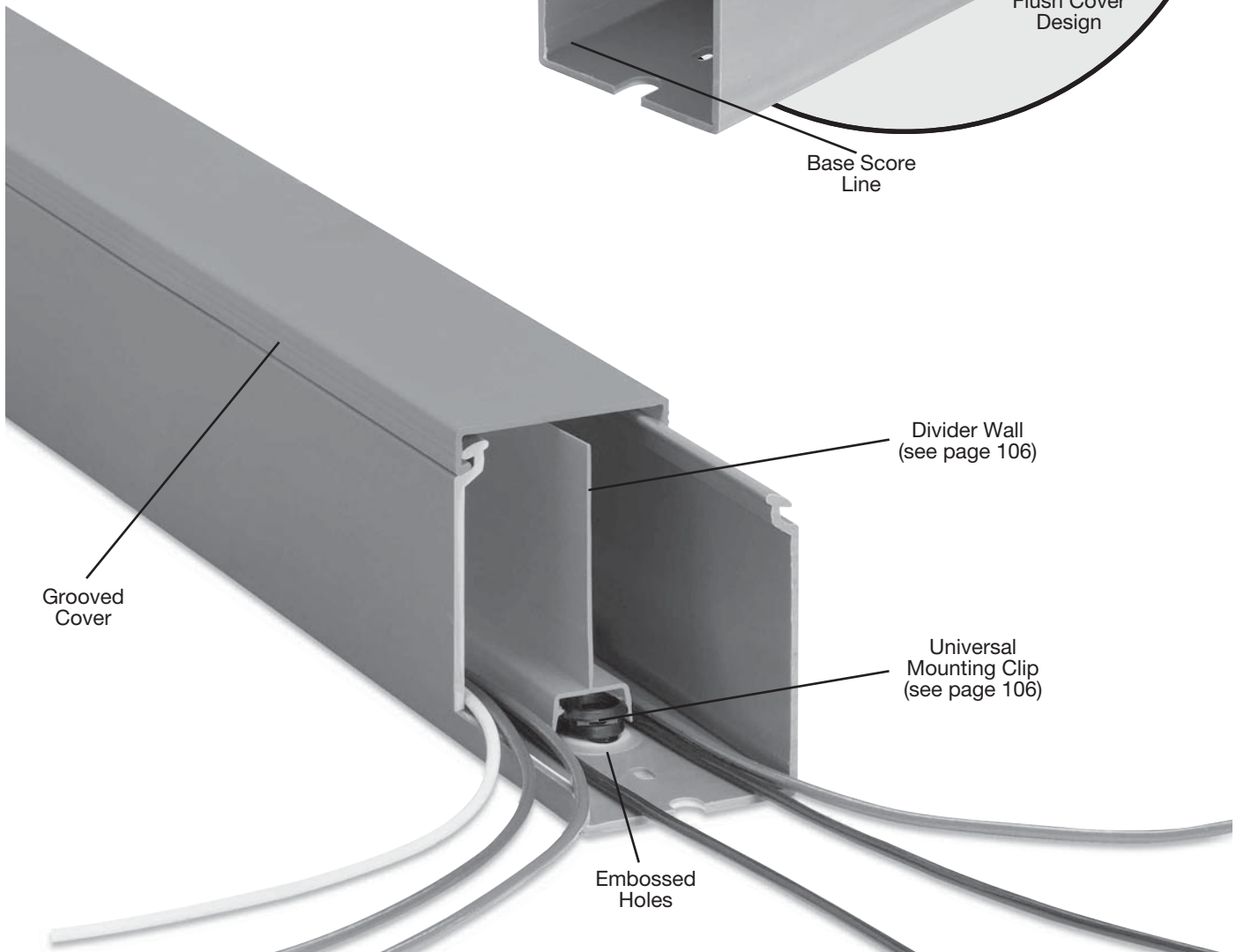
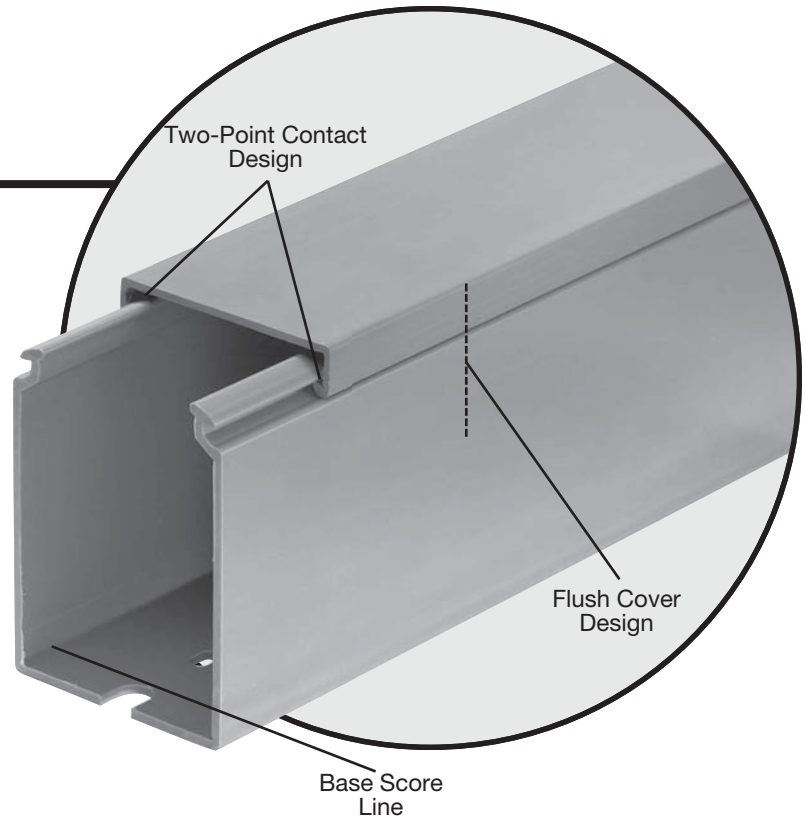
# Ty-Duct™

## Solid Wall Wiring Duct

Fire-resistant PVC offers the protection you need!

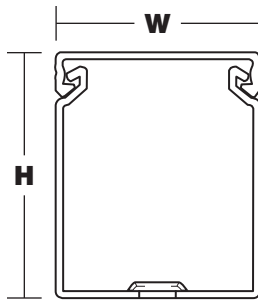
### Solid Wall Duct—PVC

- Engineered to restrict wire access
- Constructed of flame-retardant PVC
- Improved flush sidewall and cover style for greater wire capacity
- Versatile North American and DIN Standard mounting holes enable same duct for multiple applications
- Base score line
- Lead-free construction

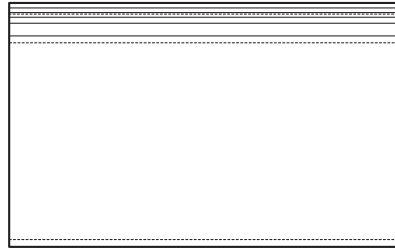


# Ty-Duct™

## Solid Wall Wiring Duct

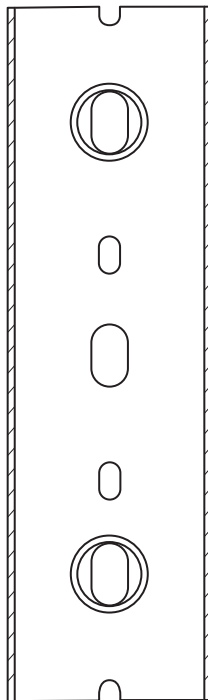


Front View w/Cover



Side View

For a complete listing of Solid Wall dimensional details see page 116.



Bottom View

CAT. NO.	DESCRIPTION	SIZE (W x H)		COVER CAT. NO.	DUCT STD. CTN. QTY	COVER STD. CTN. QTY	LENGTH (FT.)
		IN.	MM				
<b>TY75X1SP</b> [ _ ]6	.75 x 1 Solid Wall Duct	0.94 x 1.14	23.9 x 29.0		120		
<b>TY75X15SP</b> [ _ ]6	.75 x 1.5 Solid Wall Duct	0.94 x 1.60	23.9 x 40.6	<b>TY75CP</b> [ _ ]6	120	120	6
<b>TY75X2SP</b> [ _ ]6	.75 x 2 Solid Wall Duct	0.94 x 2.10	23.9 x 53.3		120		
<b>TY1X1SP</b> [ _ ]6	1 x 1 Solid Wall Duct	1.25 x 1.14	31.8 x 29.0		120		
<b>TY1X15SP</b> [ _ ]6	1 x 1.5 Solid Wall Duct	1.25 x 1.60	31.8 x 40.6		120		
<b>TY1X2SP</b> [ _ ]6	1 x 2 Solid Wall Duct	1.25 x 2.10	31.8 x 53.3	<b>TY1CP</b> [ _ ]6	120	120	6
<b>TY1X3SP</b> [ _ ]6	1 x 3 Solid Wall Duct	1.25 x 3.05	31.8 x 77.5		120		
<b>TY1X4SP</b> [ _ ]6	1 x 4 Solid Wall Duct	1.25 x 4.37	31.8 x 111.0		60		
<b>TY15X1SP</b> [ _ ]6	1.5 x 1 Solid Wall Duct	1.75 x 1.14	44.5 x 29.0		120		
<b>TY15X15SP</b> [ _ ]6	1.5 x 1.5 Solid Wall Duct	1.75 x 1.60	44.5 x 40.6		120		
<b>TY15X2SP</b> [ _ ]6	1.5 x 2 Solid Wall Duct	1.75 x 2.10	44.5 x 53.3	<b>TY15CP</b> [ _ ]6	120	120	6
<b>TY15X3SP</b> [ _ ]6	1.5 x 3 Solid Wall Duct	1.75 x 3.05	44.5 x 77.5		120		
<b>TY15X4SP</b> [ _ ]6	1.5 x 4 Solid Wall Duct	1.75 x 4.37	44.5 x 111.0		60		
<b>TY2X1SP</b> [ _ ]6	2 x 1 Solid Wall Duct	2.25 x 1.24	57.2 x 31.5		120		
<b>TY2X15SP</b> [ _ ]6	2 x 1.5 Solid Wall Duct	2.25 x 1.70	57.2 x 43.2		120		
<b>TY2X2SP</b> [ _ ]6	2 x 2 Solid Wall Duct	2.25 x 2.19	57.2 x 55.6	<b>TY2CP</b> [ _ ]6	120	120	6
<b>TY2X3SP</b> [ _ ]6	2 x 3 Solid Wall Duct	2.25 x 3.14	57.2 x 79.8		60		
<b>TY2X4SP</b> [ _ ]6	2 x 4 Solid Wall Duct	2.25 x 4.46	57.2 x 113.3		60		
<b>TY2X5SP</b> [ _ ]6	2 x 5 Solid Wall Duct	2.25 x 5.15	57.2 x 130.8		60		
<b>TY25X2SP</b> [ _ ]6	2.5 x 2 Solid Wall Duct	2.75 x 2.19	69.9 x 55.6		120		
<b>TY25X3SP</b> [ _ ]6	2.5 x 3 Solid Wall Duct	2.75 x 3.14	69.9 x 79.8	<b>TY25CP</b> [ _ ]6	60	120	6
<b>TY25X4SP</b> [ _ ]6	2.5 x 4 Solid Wall Duct	2.75 x 4.46	69.9 x 113.3		60		
<b>TY3X1SP</b> [ _ ]6	3 x 1 Solid Wall Duct	3.25 x 1.24	82.6 x 31.5		120		
<b>TY3X2SP</b> [ _ ]6	3 x 2 Solid Wall Duct	3.25 x 2.19	82.6 x 55.6		60		
<b>TY3X3SP</b> [ _ ]6	3 x 3 Solid Wall Duct	3.25 x 3.14	82.6 x 79.8	<b>TY3CP</b> [ _ ]6	60	120	6
<b>TY3X4SP</b> [ _ ]6	3 x 4 Solid Wall Duct	3.25 x 4.46	82.6 x 113.3		60		
<b>TY3X5SP</b> [ _ ]6	3 x 5 Solid Wall Duct	3.25 x 5.15	82.6 x 130.8		60		
<b>TY4X15SP</b> [ _ ]6	4 x 1.5 Solid Wall Duct	4.25 x 1.70	108.0 x 43.2		60		
<b>TY4X2SP</b> [ _ ]6	4 x 2 Solid Wall Duct	4.25 x 2.19	108.0 x 55.6		60		
<b>TY4X3SP</b> [ _ ]6	4 x 3 Solid Wall Duct	4.25 x 3.14	108.0 x 79.8	<b>TY4CP</b> [ _ ]6	60	120	6
<b>TY4X4SP</b> [ _ ]6	4 x 4 Solid Wall Duct	4.25 x 4.46	108.0 x 113.3		30		
<b>TY4X5SP</b> [ _ ]6	4 x 5 Solid Wall Duct	4.25 x 5.15	108.0 x 130.8		30		
<b>TY6X4SP</b> [ _ ]6	6 x 4 Solid Wall Duct	6.25 x 4.46	158.8 x 113.3	<b>TY6CP</b> [ _ ]6	30	60	6

[ \_ ] = space for colour identifier.

<b>G</b> = Grey	
<b>W</b> = White	
<b>B</b> = Black	
<b>I</b> = Intrinsic Blue	

Standard lengths are 6 feet.

Catalogue Number must be completed by adding suffix G for Grey, W for White, I for Intrinsic Blue, B for Black.

**Example:** TY75X1SPG6 is a .75" x 1" solid wall grey duct.

To order duct without mounting holes, add suffix NM to catalogue number.

**Example:** TY75X1SPG6NM is a .75" x 1" solid wall grey duct with no mounting holes.

To order Adhesive-Backed Duct, add suffix A to Catalogue Number.

**Example:** TY75X1SPG6A is a .75" x 1" solid wall grey duct with adhesive backing. Shelf life for adhesive is 1 year.

PVC vinyl duct is UL® Recognized CSA Certified and CE Compliant.

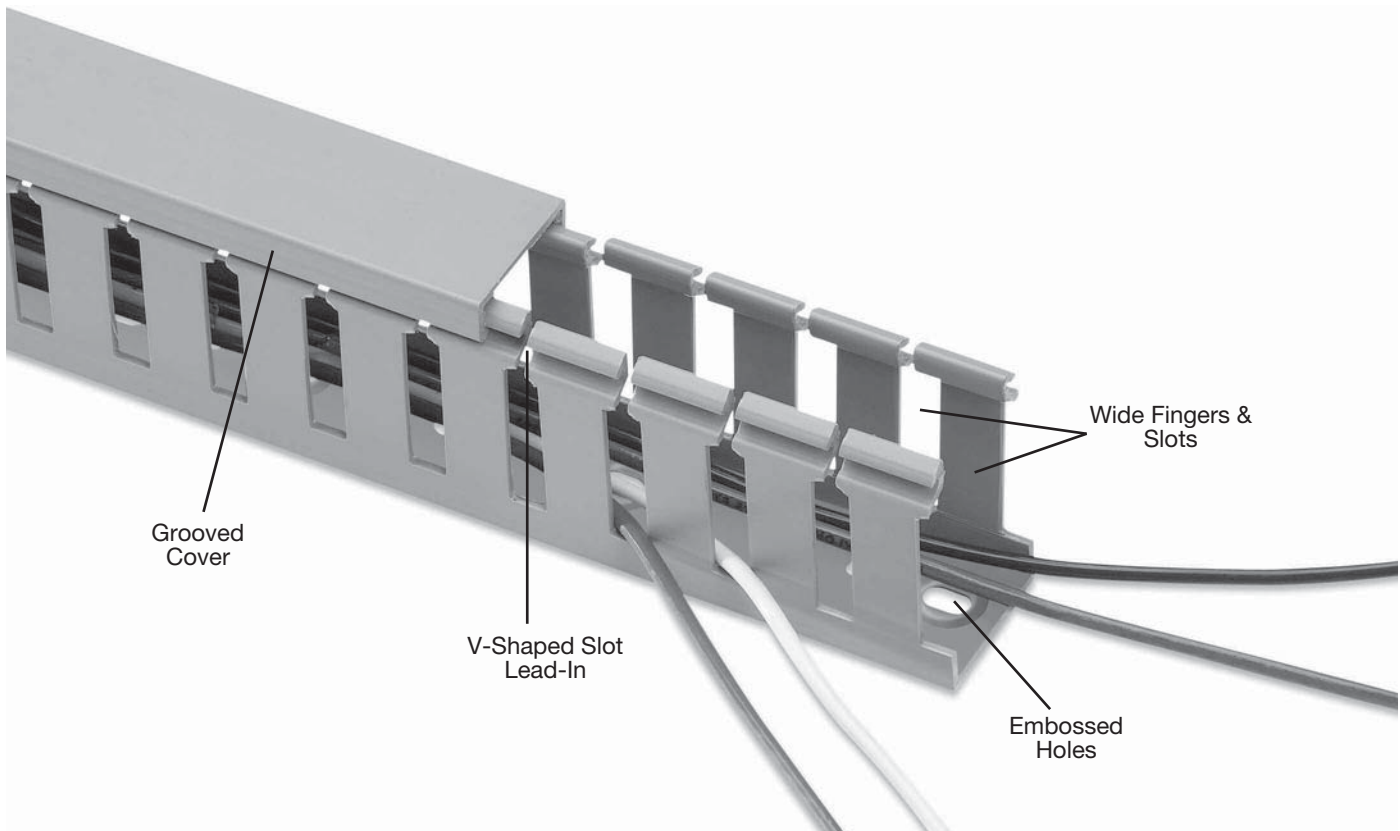
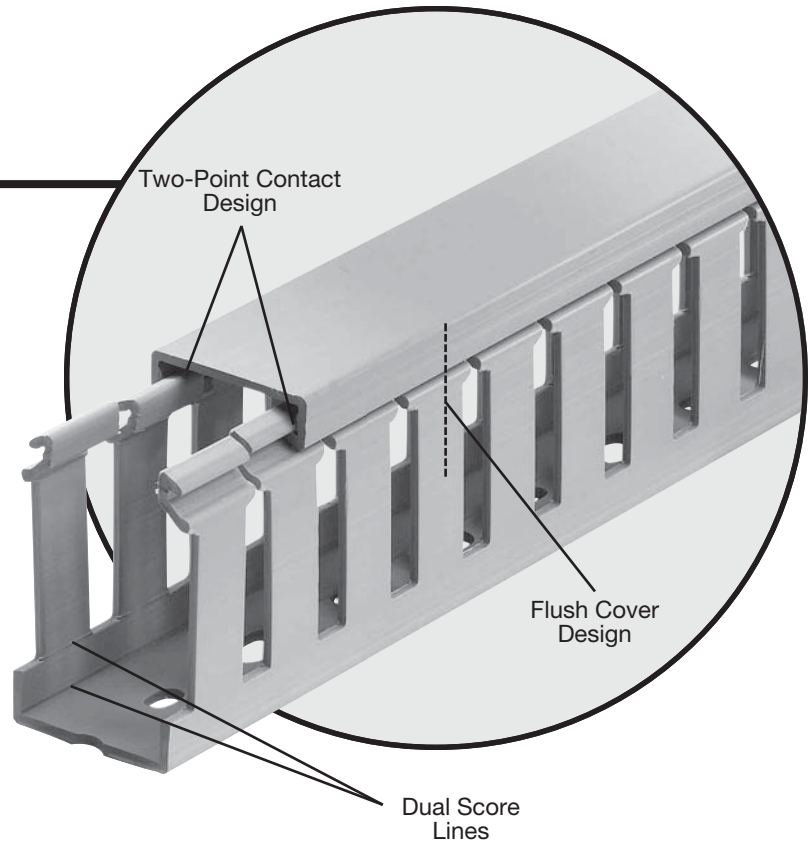
# Ty-Duct™

## Wide Slot Wiring Duct

Greater sidewall rigidity  
with increased versatility!

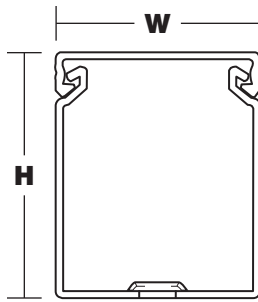
### Wide Slot Duct—PVC

- Wide fingers and slots increase rigidity and enable insertion of bundles
- Non-slip cover and resists vibration
- Rounded edges keep hands and wires free of abrasion
- V-shaped slot lead-in enables easier and faster wire installation
- Dual score lines are designed to yield clean breakoffs at the base of the slot and the duct
- Restricted slot design ensures that wires are held with or without the cover inserted
- Flush cover attaches flush with sidewall for finished look
- Improved flush sidewall and cover style for greater wire capacity

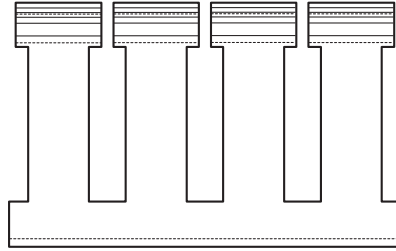


# Ty-Duct™

## Wide Slot Wiring Duct

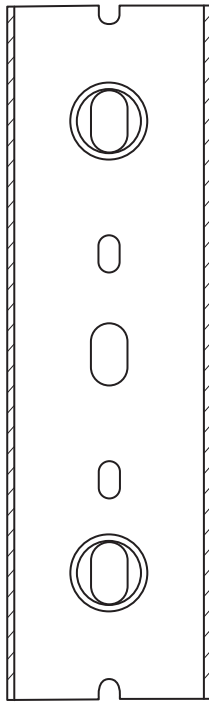


Front View w/Cover



Side View

For a complete listing of Wide Slot dimensional details see page 117.



Bottom View

CAT. NO.	DESCRIPTION	SIZE (W x H)		COVER CAT. NO.	DUCT STD. CTN. QTY	COVER STD. CTN. QTY	LENGTH (FT.)
		IN.	MM				
<b>TY75X1WP</b> [_]6	.75 x 1 Wide Slot Duct	0.94 x 1.14	23.9 x 29.0		120		
<b>TY75X15WP</b> [_]6	.75 x 1.5 Wide Slot Duct	0.94 x 1.60	23.9 x 40.6	<b>TY75CP</b> [_]6	120	120	6
<b>TY75X2WP</b> [_]6	.75 x 2 Wide Slot Duct	0.94 x 2.10	23.9 x 53.3		120		
<b>TY1X1WP</b> [_]6	1 x 1 Wide Slot Duct	1.25 x 1.14	31.8 x 29.0		120		
<b>TY1X15WP</b> [_]6	1 x 1.5 Wide Slot Duct	1.25 x 1.60	31.8 x 40.6		120		
<b>TY1X2WP</b> [_]6	1 x 2 Wide Slot Duct	1.25 x 2.10	31.8 x 53.3	<b>TY1CP</b> [_]6	120	120	6
<b>TY1X3WP</b> [_]6	1 x 3 Wide Slot Duct	1.25 x 3.05	31.8 x 77.5		120		
<b>TY1X4WP</b> [_]6	1 x 4 Wide Slot Duct	1.25 x 4.37	31.8 x 111.0		60		
<b>TY15X1WP</b> [_]6	1.5 x 1 Wide Slot Duct	1.75 x 1.14	44.5 x 29.0		120		
<b>TY15X15WP</b> [_]6	1.5 x 1.5 Wide Slot Duct	1.75 x 1.60	44.5 x 40.6		120		
<b>TY15X2WP</b> [_]6	1.5 x 2 Wide Slot Duct	1.75 x 2.10	44.5 x 53.3	<b>TY15CP</b> [_]6	120	120	6
<b>TY15X3WP</b> [_]6	1.5 x 3 Wide Slot Duct	1.75 x 3.05	44.5 x 77.5		120		
<b>TY15X4WP</b> [_]6	1.5 x 4 Wide Slot Duct	1.75 x 4.37	44.5 x 111.0		60		
<b>TY2X1WP</b> [_]6	2 x 1 Wide Slot Duct	2.25 x 1.24	57.2 x 31.5		120		
<b>TY2X15WP</b> [_]6	2 x 1.5 Wide Slot Duct	2.25 x 1.70	57.2 x 43.2		120		
<b>TY2X2WP</b> [_]6	2 x 2 Wide Slot Duct	2.25 x 2.19	57.2 x 55.6	<b>TY2CP</b> [_]6	120	120	6
<b>TY2X3WP</b> [_]6	2 x 3 Wide Slot Duct	2.25 x 3.14	57.2 x 79.8		60		
<b>TY2X4WP</b> [_]6	2 x 4 Wide Slot Duct	2.25 x 4.46	57.2 x 113.3		60		
<b>TY2X5WP</b> [_]6	2 x 5 Wide Slot Duct	2.25 x 5.15	57.2 x 130.8		60		
<b>TY25X2WP</b> [_]6	2.5 x 2 Wide Slot Duct	2.75 x 2.19	69.9 x 55.6		120		
<b>TY25X3WP</b> [_]6	2.5 x 3 Wide Slot Duct	2.75 x 3.14	69.9 x 79.8	<b>TY25CP</b> [_]6	60	120	6
<b>TY25X4WP</b> [_]6	2.5 x 4 Wide Slot Duct	2.75 x 4.46	69.9 x 113.3		60		
<b>TY3X1WP</b> [_]6	3 x 1 Wide Slot Duct	3.25 x 1.24	82.6 x 31.5		120		
<b>TY3X2WP</b> [_]6	3 x 2 Wide Slot Duct	3.25 x 2.19	82.6 x 55.6		60		
<b>TY3X3WP</b> [_]6	3 x 3 Wide Slot Duct	3.25 x 3.14	82.6 x 79.8	<b>TY3CP</b> [_]6	60	120	6
<b>TY3X4WP</b> [_]6	3 x 4 Wide Slot Duct	3.25 x 4.46	82.6 x 113.3		60		
<b>TY3X5WP</b> [_]6	3 x 5 Wide Slot Duct	3.25 x 5.15	82.6 x 130.8		60		
<b>TY4X15WP</b> [_]6	4 x 1.5 Wide Slot Duct	4.25 x 1.70	108.0 x 43.2		60		
<b>TY4X2WP</b> [_]6	4 x 2 Wide Slot Duct	4.25 x 2.19	108.0 x 55.6		60		
<b>TY4X3WP</b> [_]6	4 x 3 Wide Slot Duct	4.25 x 3.14	108.0 x 79.8	<b>TY4CP</b> [_]6	60	120	6
<b>TY4X4WP</b> [_]6	4 x 4 Wide Slot Duct	4.25 x 4.46	108.0 x 113.3		30		
<b>TY4X5WP</b> [_]6	4 x 5 Wide Slot Duct	4.25 x 5.15	108.0 x 130.8		30		
<b>TY6X4WP</b> [_]6	6 x 4 Wide Slot Duct	6.25 x 4.46	158.8 x 113.3	<b>TY6CP</b> [_]6	30	60	6

[\_] = space for colour identifier.

**G** = Grey

**W** = White

**B** = Black

**I** = Intrinsic Blue

Standard lengths are 6 feet.

Catalogue Number must be completed by adding suffix G for Grey, W for White, I for Intrinsic Blue, B for Black.

**Example:** TY75X1WPG6 is a .75" x 1" wide slot grey duct.

To order duct without mounting holes, add suffix NM to catalogue number.

**Example:** TY75X1WPG6NM is a .75" x 1" wide slot grey duct with no mounting holes.

To order Adhesive-Backed Duct, add suffix A to Catalogue Number.

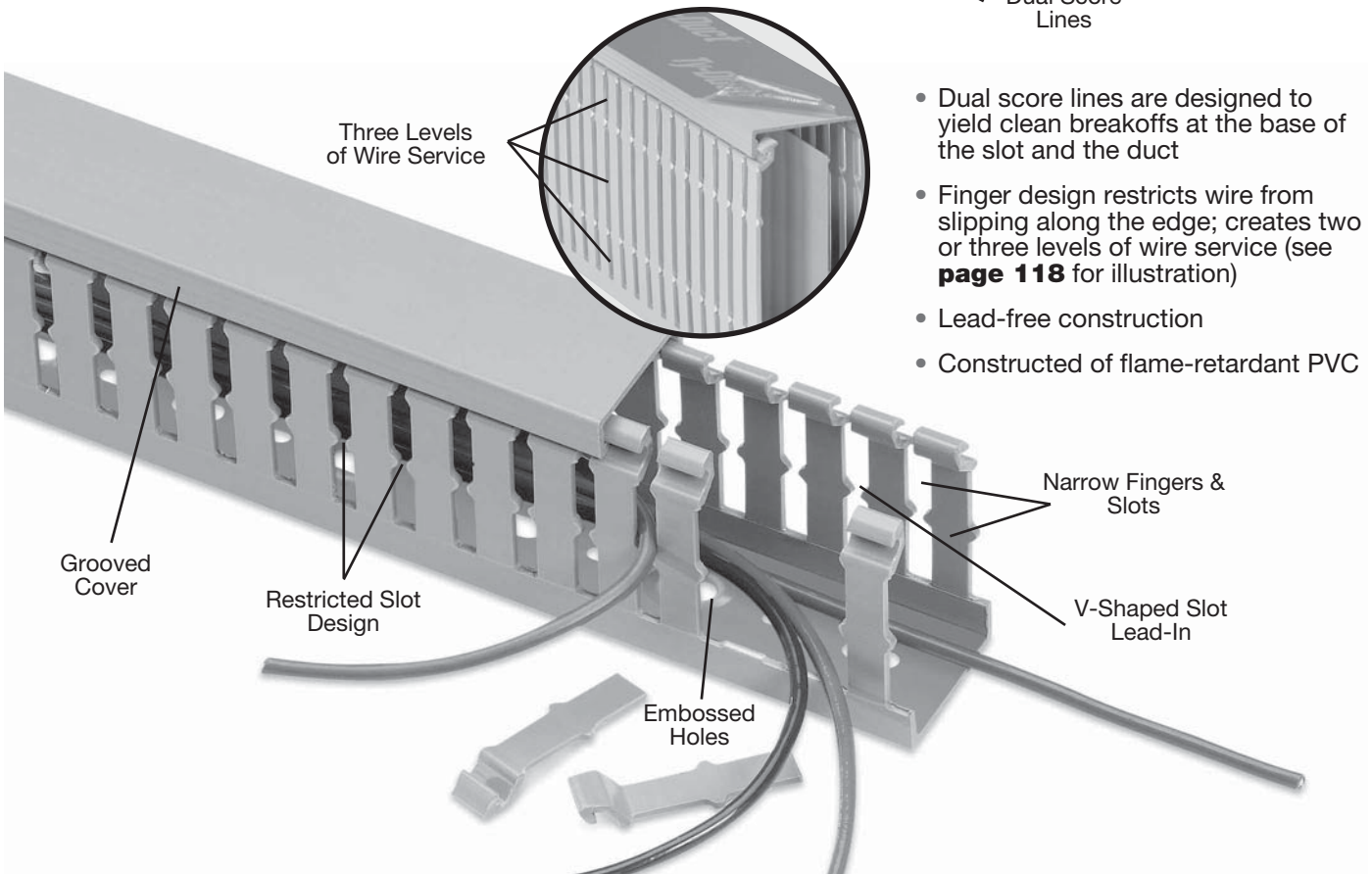
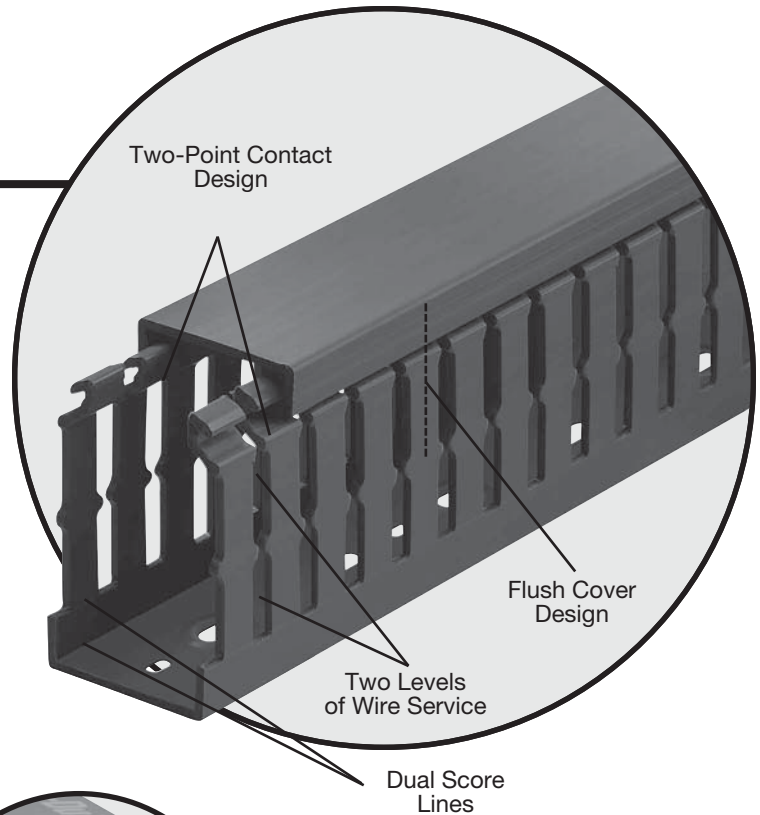
**Example:** TY75X1WPG6A is a .75" x 1" wide slot grey duct with adhesive backing. Shelf life for adhesive is 1 year.

PVC vinyl duct is UL® Recognized , CSA Certified and CE Compliant.

Designed to fit the spacing of high-density terminal blocks!

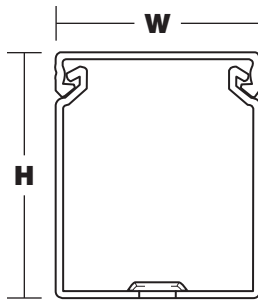
### Narrow Slot Wiring Duct

- Smaller, higher number of fingers for more concise harnessing
- Non-slip cover does not slide easily and resists vibration
- Rounded edges keep hands and wires free of abrasion
- V-shaped slot lead-in enables easier and faster wire installation
- Restricted slot design ensures that wires are held with or without the cover inserted
- Flush cover attaches flush with sidewall for finished look
- Versatile North American and DIN Standard mounting holes enable same duct for multiple applications

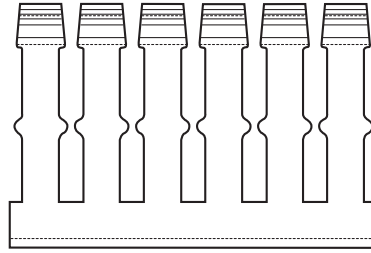


# Ty-Duct™

## Narrow Slot Wiring Duct

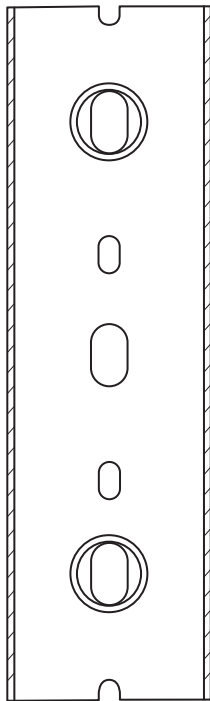


Front View w/Cover



Side View

For a complete listing of Narrow Slot dimensional details see page 118.



Bottom View

CAT. NO.	DESCRIPTION	SIZE (W x H)		COVER CAT. NO.	DUCT STD. CTN. QTY	COVER STD. CTN. QTY	LENGTH (FT.)
		IN.	MM				
<b>TY75X15NP</b> [_] <b>6</b>	.75 x 1.5 Narrow Slot Duct	0.94 x 1.60	23.9 x 40.6	<b>TY75CP</b> [_] <b>6</b>	120	120	6
<b>TY1X1NP</b> [_] <b>6</b>	1 x 1 Narrow Slot Duct	1.25 x 1.14	31.8 x 29.0		120		
<b>TY1X15NP</b> [_] <b>6</b>	1 x 1.5 Narrow Slot Duct	1.25 x 1.60	31.8 x 40.6		120		
<b>TY1X2NP</b> [_] <b>6</b>	1 x 2 Narrow Slot Duct	1.25 x 2.10	31.8 x 53.3	<b>TY1CP</b> [_] <b>6</b>	120	120	6
<b>TY1X3NP</b> [_] <b>6</b>	1 x 3 Narrow Slot Duct	1.25 x 3.05	31.8 x 77.5		120		
<b>TY1X4NP</b> [_] <b>6</b>	1 x 4 Narrow Slot Duct	1.25 x 4.37	31.8 x 111.0		60		
<b>TY15X1NP</b> [_] <b>6</b>	1.5 x 1 Narrow Slot Duct	1.75 x 1.14	44.5 x 29.0		120		
<b>TY15X15NP</b> [_] <b>6</b>	1.5 x 1.5 Narrow Slot Duct	1.75 x 1.60	44.5 x 40.6		120		
<b>TY15X2NP</b> [_] <b>6</b>	1.5 x 2 Narrow Slot Duct	1.75 x 2.10	44.5 x 53.3	<b>TY15CP</b> [_] <b>6</b>	120	120	6
<b>TY15X3NP</b> [_] <b>6</b>	1.5 x 3 Narrow Slot Duct	1.75 x 3.05	44.5 x 77.5		120		
<b>TY15X4NP</b> [_] <b>6</b>	1.5 x 4 Narrow Slot Duct	1.75 x 4.37	44.5 x 111.0		60		
<b>TY2X1NP</b> [_] <b>6</b>	2 x 1 Narrow Slot Duct	2.25 x 1.24	57.2 x 31.5		120		
<b>TY2X15NP</b> [_] <b>6</b>	2 x 1.5 Narrow Slot Duct	2.25 x 1.70	57.2 x 43.2		120		
<b>TY2X2NP</b> [_] <b>6</b>	2 x 2 Narrow Slot Duct	2.25 x 2.19	57.2 x 55.6	<b>TY2CP</b> [_] <b>6</b>	120	120	6
<b>TY2X3NP</b> [_] <b>6</b>	2 x 3 Narrow Slot Duct	2.25 x 3.14	57.2 x 79.8		60		
<b>TY2X4NP</b> [_] <b>6</b>	2 x 4 Narrow Slot Duct	2.25 x 4.46	57.2 x 113.3		60		
<b>TY2X5NP</b> [_] <b>6</b>	2 x 5 Narrow Slot Duct	2.25 x 5.15	57.2 x 130.8		60		
<b>TY25X2NP</b> [_] <b>6</b>	2.5 x 2 Narrow Slot Duct	2.75 x 2.19	69.9 x 55.6		120		
<b>TY25X3NP</b> [_] <b>6</b>	2.5 x 3 Narrow Slot Duct	2.75 x 3.14	69.9 x 79.8	<b>TY25CP</b> [_] <b>6</b>	60	120	6
<b>TY25X4NP</b> [_] <b>6</b>	2.5 x 4 Narrow Slot Duct	2.75 x 4.46	69.9 x 113.3		60		
<b>TY3X1NP</b> [_] <b>6</b>	3 x 1 Narrow Slot Duct	3.25 x 1.24	82.6 x 31.5		120		
<b>TY3X2NP</b> [_] <b>6</b>	3 x 2 Narrow Slot Duct	3.25 x 2.19	82.6 x 55.6		60		
<b>TY3X3NP</b> [_] <b>6</b>	3 x 3 Narrow Slot Duct	3.25 x 3.14	82.6 x 79.8	<b>TY3CP</b> [_] <b>6</b>	60	120	6
<b>TY3X4NP</b> [_] <b>6</b>	3 x 4 Narrow Slot Duct	3.25 x 4.46	82.6 x 113.3		60		
<b>TY3X5NP</b> [_] <b>6</b>	3 x 5 Narrow Slot Duct	3.25 x 5.15	82.6 x 130.8		60		
<b>TY4X2NP</b> [_] <b>6</b>	4 x 2 Narrow Slot Duct	4.25 x 2.19	108.0 x 55.6		60		
<b>TY4X3NP</b> [_] <b>6</b>	4 x 3 Narrow Slot Duct	4.25 x 3.14	108.0 x 79.8	<b>TY4CP</b> [_] <b>6</b>	60	120	6
<b>TY4X4NP</b> [_] <b>6</b>	4 x 4 Narrow Slot Duct	4.25 x 4.46	108.0 x 113.3		30		
<b>TY4X5NP</b> [_] <b>6</b>	4 x 5 Narrow Slot Duct	4.25 x 5.15	108.0 x 130.8		30		
<b>TY6X4NP</b> [_] <b>6</b>	6 x 4 Narrow Slot Duct	6.25 x 4.46	158.8 x 113.3	<b>TY6CP</b> [_] <b>6</b>	30	60	6

[\_]= space for colour identifier.

**G** = Grey

**W** = White

**B** = Black

**I** = Intrinsic Blue

Standard lengths are 6 feet.

Catalogue Number must be completed by adding suffix G for Grey, W for White, I for Intrinsic Blue, B for Black.

**Example:** TY75X15NPB6 a .75" x 1.5" narrow slot black duct.

To order duct without mounting holes, add suffix NM to catalogue number.

**Example:** TY75X15NPB6NM a .75" x 1.5" narrow slot black duct with no mounting holes.

To order Adhesive-Backed Duct, add suffix A to Catalogue Number.

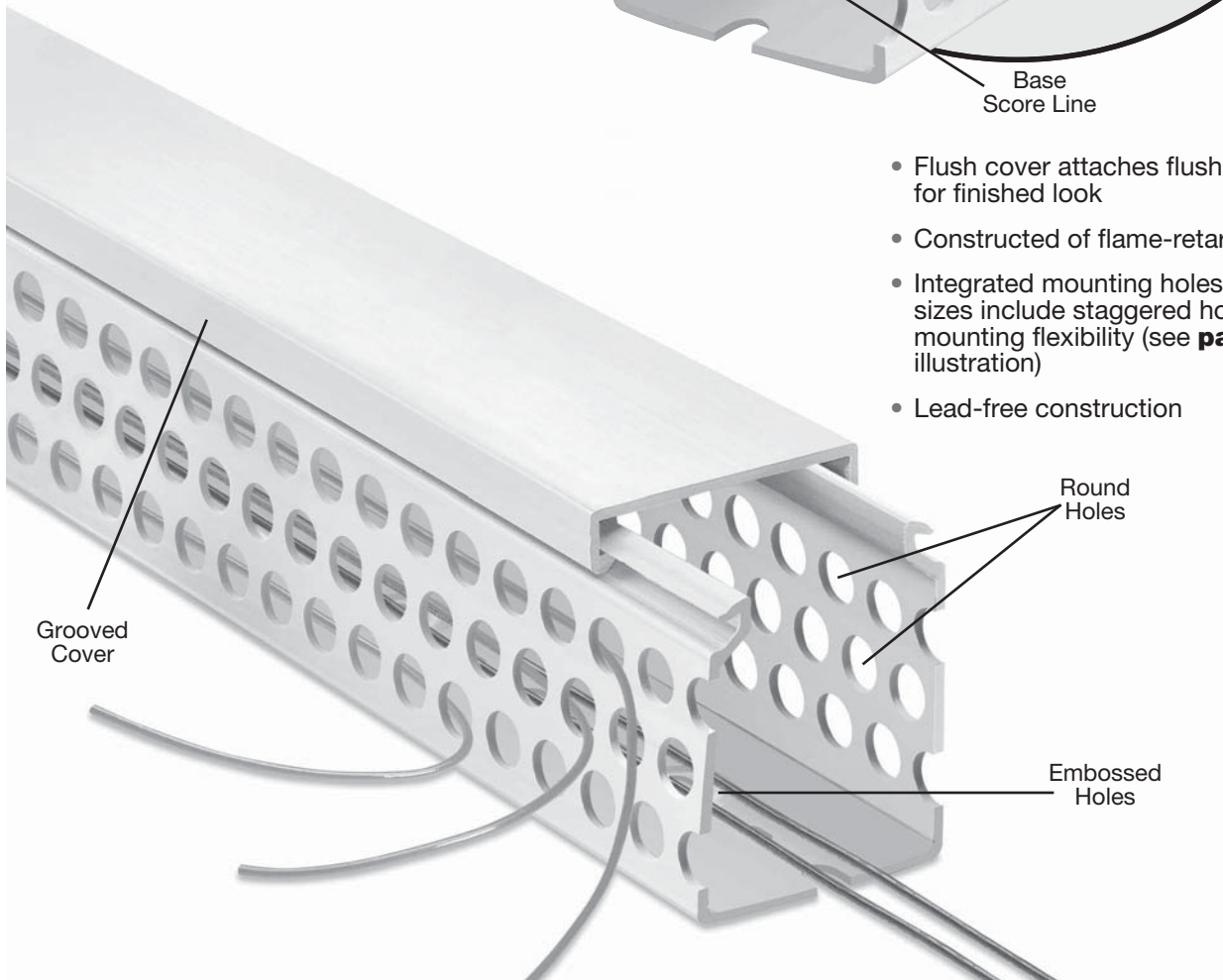
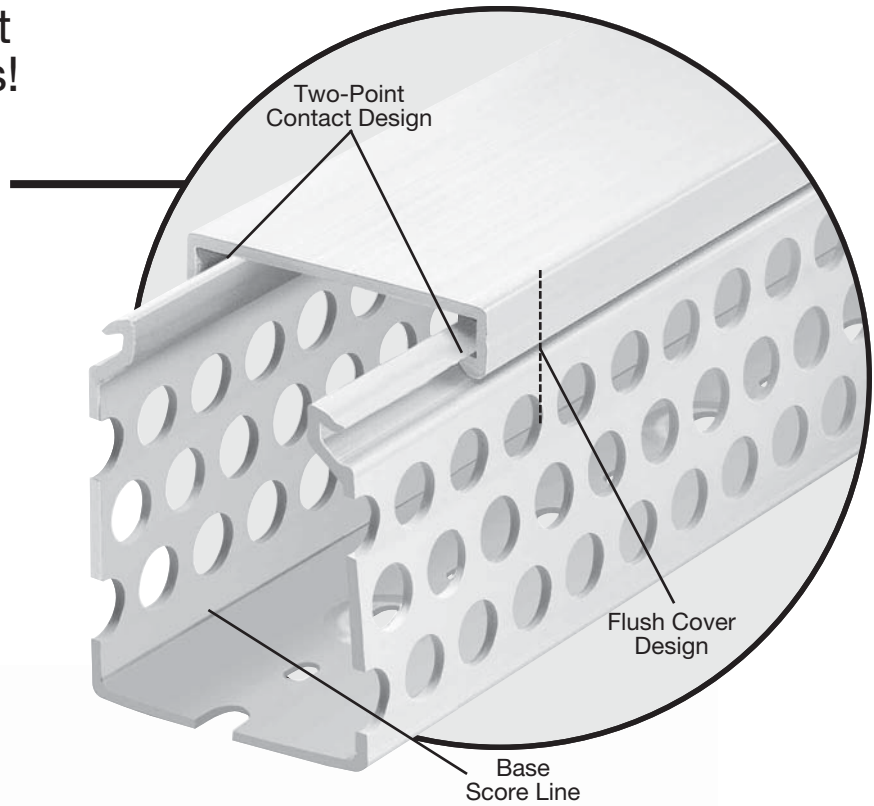
**Example:** TY75X15NPB6A a .75" x 1.5" narrow slot black duct with adhesive backing. Shelf life for adhesive is 1 year.

PVC vinyl duct is UL® Recognized CSA Certified and CE Compliant.

Holes retain and support wires at different heights!

### Round Hole Wiring Duct

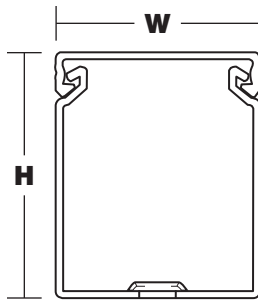
- Multiple rows of holes retain wire at different heights and positions with or without the cover
- Features maximum number of wire holes
- Greater wall rigidity than open slot duct
- Non-slip cover does not slide easily and resists vibration
- Rounded edges keep hands and wires free of abrasion
- Base score line enables sidewall section to be removed



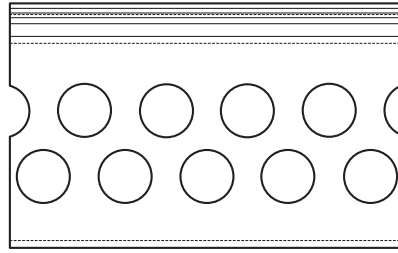
- Flush cover attaches flush with sidewall for finished look
- Constructed of flame-retardant PVC
- Integrated mounting holes — larger sizes include staggered holes for mounting flexibility (see **page 119** for illustration)
- Lead-free construction

# Ty-Duct™

## Round Hole Wiring Duct

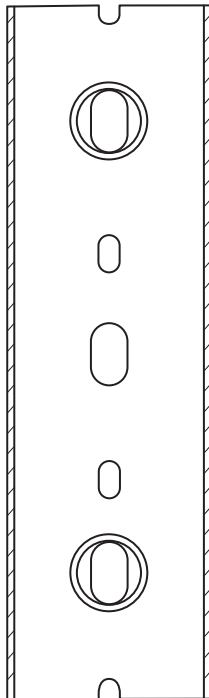


Front View w/Cover



Side View

For a complete listing of Round Hole dimensional details see page 119.



Bottom View

CAT. NO.	DESCRIPTION	SIZE (W x H)		COVER CAT. NO.	DUCT STD. CTN. QTY	COVER STD. CTN. QTY	LENGTH (FT.)
		IN.	MM				
<b>TY1X15RP</b> [ _ ] <b>6</b>	1 x 1.5 Round Hole Duct	1.75 x 1.60	44.5 x 40.6		120		
<b>TY1X2RP</b> [ _ ] <b>6</b>	1 x 2 Round Hole Duct	1.25 x 2.10	31.8 x 53.3	<b>TY1CP</b> [ _ ] <b>6</b>	120	120	6
<b>TY1X3RP</b> [ _ ] <b>6</b>	1 x 3 Round Hole Duct	1.25 x 3.05	31.8 x 77.5		120		
<b>TY1X4RP</b> [ _ ] <b>6</b>	1 x 4 Round Hole Duct	1.25 x 4.37	31.8 x 111.0		60		
<b>TY15X15RP</b> [ _ ] <b>6</b>	1.5 x 1.5 Round Hole Duct	1.75 x 1.60	44.5 x 40.6		120		
<b>TY15X2RP</b> [ _ ] <b>6</b>	1.5 x 2 Round Hole Duct	1.75 x 2.10	44.5 x 53.3	<b>TY15CP</b> [ _ ] <b>6</b>	120	120	6
<b>TY15X3RP</b> [ _ ] <b>6</b>	1.5 x 3 Round Hole Duct	1.75 x 3.05	44.5 x 77.5		120		
<b>TY15X4RP</b> [ _ ] <b>6</b>	1.5 x 4 Round Hole Duct	1.75 x 4.37	44.5 x 111.0		60		
<b>TY2X15RP</b> [ _ ] <b>6</b>	2 x 1.5 Round Hole Duct	2.25 x 1.70	57.2 x 43.2		120		
<b>TY2X2RP</b> [ _ ] <b>6</b>	2 x 2 Round Hole Duct	2.25 x 2.19	57.2 x 55.6	<b>TY2CP</b> [ _ ] <b>6</b>	120	120	6
<b>TY2X3RP</b> [ _ ] <b>6</b>	2 x 3 Round Hole Duct	2.25 x 3.14	57.2 x 79.8		60		
<b>TY2X4RP</b> [ _ ] <b>6</b>	2 x 4 Round Hole Duct	2.25 x 4.46	57.2 x 113.3		60		
<b>TY3X2RP</b> [ _ ] <b>6</b>	3 x 2 Round Hole Duct	3.25 x 2.19	82.6 x 55.6		60		
<b>TY3X3RP</b> [ _ ] <b>6</b>	3 x 3 Round Hole Duct	3.25 x 3.14	82.6 x 79.8	<b>TY3CP</b> [ _ ] <b>6</b>	60	120	6
<b>TY3X4RP</b> [ _ ] <b>6</b>	3 x 4 Round Hole Duct	3.25 x 4.46	82.6 x 113.3		60		
<b>TY4X15RP</b> [ _ ] <b>6</b>	4X1.5 Round Hole Duct	4.25 x 1.70	108.0 x 43.2		60		
<b>TY4X2RP</b> [ _ ] <b>6</b>	4X2 Round Hole Duct	4.25 x 2.19	108.0 x 55.6	<b>TY4CP</b> [ _ ] <b>6</b>	60	120	6
<b>TY4X3RP</b> [ _ ] <b>6</b>	4X3 Round Hole Duct	4.25 x 3.14	108.0 x 79.8		60		
<b>TY4X4RP</b> [ _ ] <b>6</b>	4X4 Round Hole Duct	4.25 x 4.46	108.0 x 113.3		30		

[ \_ ] = space for colour identifier.

**G** = Grey

**W** = White

**B** = Black

**I** = Intrinsic Blue

Standard lengths are 6 feet.

Catalogue Number must be completed by adding suffix G for Grey, W for White, I for Intrinsic Blue, B for Black.

**Example:** TY1X15RPG6 is a 1" x 1.5" round hole grey duct.

To order duct without mounting holes, add suffix NM to catalogue number.

**Example:** TY1X15RPG6NM is a 1" x 1.5" round hole grey duct with no mounting holes.

To order Adhesive-Backed Duct, add suffix A to Catalogue Number.

**Example:** TY1X15RPG6A is a 1" x 1.5" round hole grey duct with adhesive backing.

PVC vinyl duct is UL® Recognized , CSA Certified and CE Compliant.

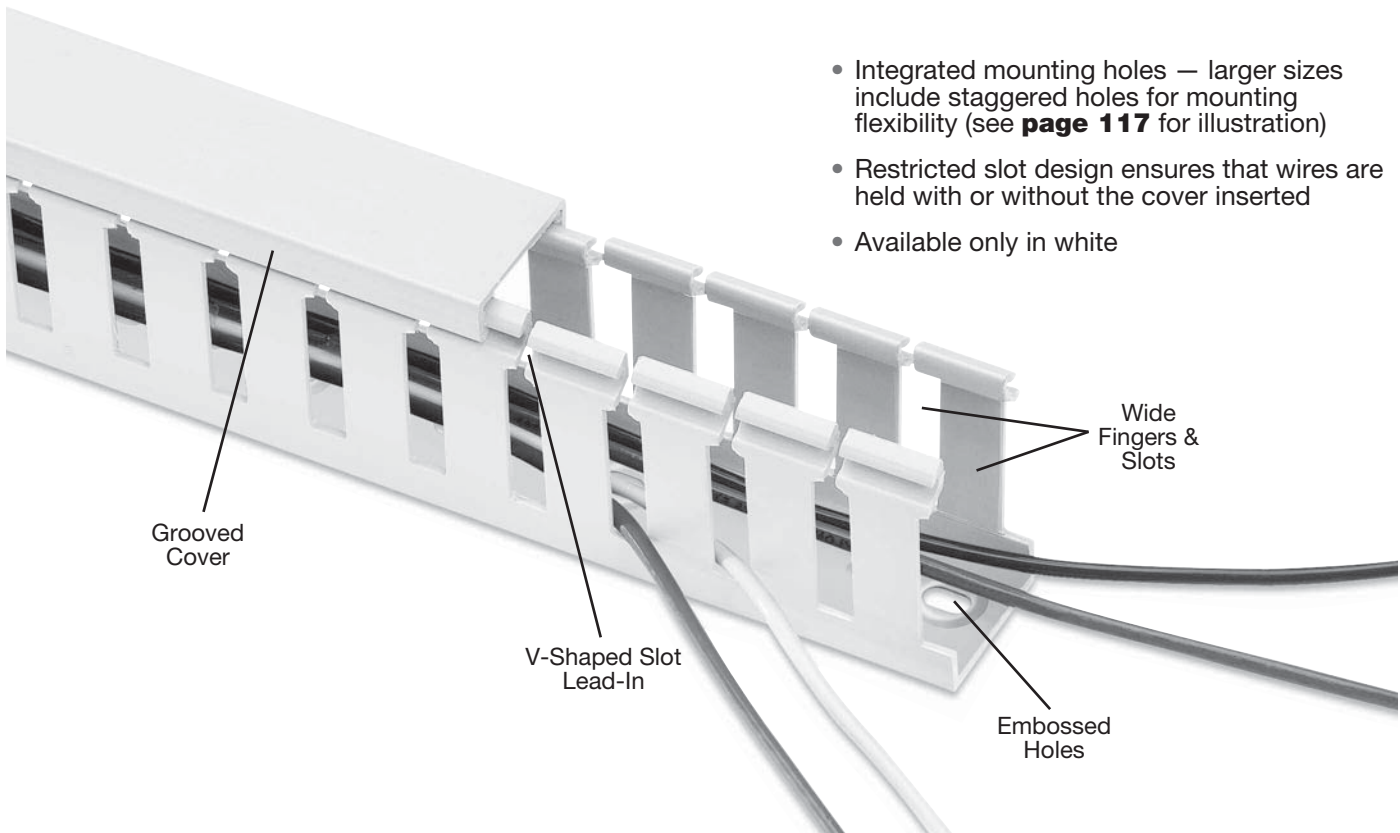
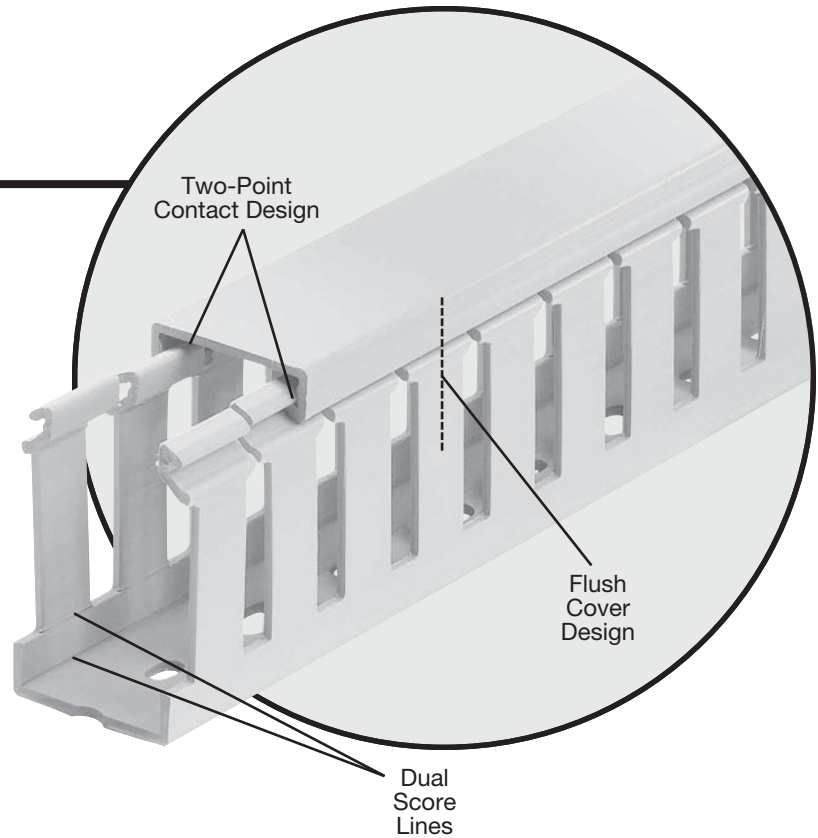
# Ty-Duct™

## Wide Slot Wiring Duct—Halogen Free

Perfect for high-temperature areas!

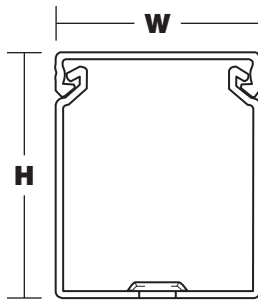
### Wide Slot Wiring Duct—Halogen-Free

- Halogen-free construction
- Higher temperature rating than PVC
- Wide fingers and slots increase rigidity and enable for insertion of bundles
- Non-slip cover does not slide easily and resists vibration
- Rounded edges keep hands and wires free of abrasion
- Dual score lines are designed to yield clean breakoffs at the base of the slot and the duct
- V-shaped slot lead-in enables easier and faster wire installation

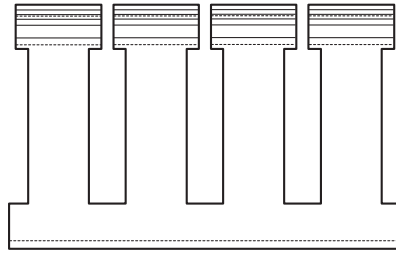


# Ty-Duct™

## Wide Slot Wiring Duct—Halogen Free

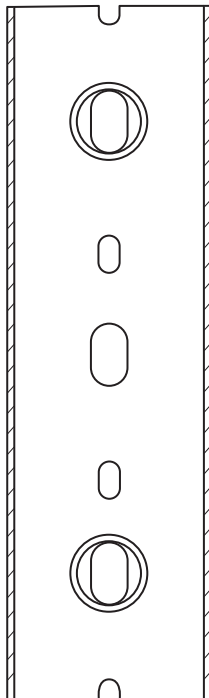


Front View w/Cover



Side View

For a complete listing of Wide Slot dimensional details see page 117.



Bottom View

W = White

CAT. NO.	DESCRIPTION	SIZE (W x H)		COVER CAT. NO.	DUCT STD. CTN. QTY	COVER STD. CTN. QTY	LENGTH (FT.)
		IN.	MM				
<b>TY1X1WHW6</b>	1 x 1 Halogen-Free White Duct	1.25 x 1.14	31.8 x 29.0		120		
<b>TY1X15WHW6</b>	1 x 1.5 Halogen-Free White Duct	1.25 x 1.60	31.8 x 40.6		120		
<b>TY1X2WHW6</b>	1 x 2 Halogen-Free White Duct	1.25 x 2.10	31.8 x 53.3	<b>TY1CHW6</b>	120	120	6
<b>TY1X3WHW6</b>	1 x 3 Halogen-Free White Duct	1.25 x 3.05	31.8 x 77.5		120		
<b>TY1X4WHW6</b>	1 x 4 Halogen-Free White Duct	1.25 x 4.37	31.8 x 111.0		60		
<b>TY15X15WHW6</b>	1.5 x 1.5 Halogen-Free White Duct	1.75 x 1.60	44.5 x 40.6		120		
<b>TY15X2WHW6</b>	1.5 x 2 Halogen-Free White Duct	1.75 x 2.10	44.5 x 53.3	<b>TY15CHW6</b>	120	120	6
<b>TY15X3WHW6</b>	1.5 x 3 Halogen-Free White Duct	1.75 x 3.05	44.5 x 77.5		120		
<b>TY15X4WHW6</b>	1.5 x 4 Halogen-Free White Duct	1.75 x 4.37	44.5 x 111.0		60		
<b>TY2X1WHW6</b>	2 x 1 Halogen-Free White Duct	2.25 x 1.24	57.2 x 31.5		120		
<b>TY2X2WHW6</b>	2 x 2 Halogen-Free White Duct	2.25 x 2.19	57.2 x 55.6	<b>TY2CHW6</b>	120	120	6
<b>TY2X3WHW6</b>	2 x 3 Halogen-Free White Duct	2.25 x 3.14	57.2 x 79.8		60		
<b>TY2X4WHW6</b>	2 x 4 Halogen-Free White Duct	2.25 x 4.46	57.2 x 113.3		60		
<b>TY25X3WHW6</b>	2.5 x 3 Halogen-Free White Duct	2.75 x 3.14	69.9 x 79.8	<b>TY25CHW6</b>	60	120	6
<b>TY3X1WHW6</b>	3 x 1 Halogen-Free White Duct	3.25 x 1.24	82.6 x 31.5		120		
<b>TY3X2WHW6</b>	3 x 2 Halogen-Free White Duct	3.25 x 2.19	82.6 x 55.6		60		
<b>TY3X3WHW6</b>	3 x 3 Halogen-Free White Duct	3.25 x 3.14	82.6 x 79.8	<b>TY3CHW6</b>	60	120	6
<b>TY3X4WHW6</b>	3 x 4 Halogen-Free White Duct	3.25 x 4.46	82.6 x 113.3		60		
<b>TY3X5WHW6</b>	3 x 5 Halogen-Free White Duct	3.25 x 5.15	82.6 x 130.8		60		
<b>TY4X2WHW6</b>	4 x 2 Halogen-Free White Duct	4.25 x 2.19	108.0 x 55.6		60		
<b>TY4X3WHW6</b>	4 x 3 Halogen-Free White Duct	4.25 x 3.14	108.0 x 79.8	<b>TY4CHW6</b>	60	120	6
<b>TY4X4WHW6</b>	4 x 4 Halogen-Free White Duct	4.25 x 4.46	108.0 x 113.3		30		
<b>TY4X5WHW6</b>	4 x 5 Halogen-Free White Duct	4.25 x 5.15	108.0 x 130.8		30		

Standard lengths are 6 feet.

To order duct without mounting holes, add suffix NM to catalogue number.

**Example:** TY1XWHW6NM is a 1" x 1" wide slot halogen-free white duct with no mounting holes.

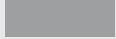
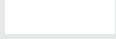


Vinyl duct is UL® Recognized , CSA Certified and meets the JIC requirements.

PVC vinyl duct is UL® Recognized , CSA Certified and CE Compliant.

## Trust Thomas and Betts for all your wiring accessories!

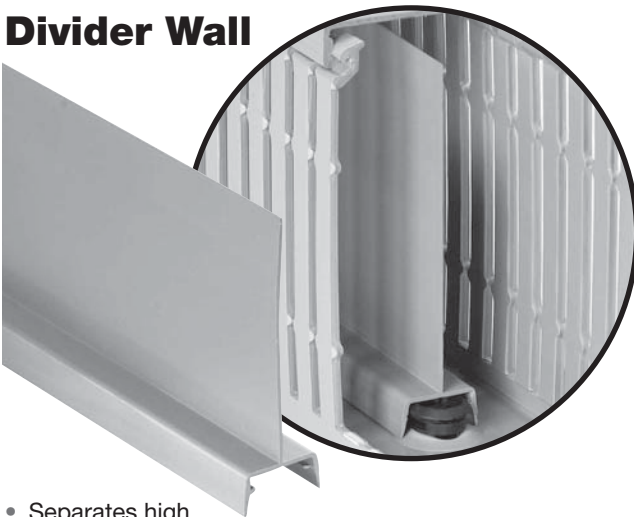
### Features include:

- Divider Walls, enabling multiple channels to be created within a duct channel
- Universal Mounting Clips that secure channels and wires
- Corner Strips that keep corners rigid at tee junctions when used for control panel applications
- Joining Strips to unite sections of duct and keep the wall rigid
- Plastic Rivets for securing ducts quickly and easily

[ _ ] = space for colour identifier:	
<b>G</b> = Grey	
<b>W</b> = White	
<b>B</b> = Black	
<b>I</b> = Intrinsic Blue	

Create multiple channels inside wiring ducts!

### Divider Wall



- Separates high and low voltage to reduce shortages and interference
- Mount inside any Ty-Duct™ PVC wiring duct using Universal Mounting Clips
- Score lines enable sections to be removed
- Solid and Wide Slotted style

CAT. NO.	DESCRIPTION	LENGTH (FT.)	STD. CTN. QTY
TY1D[ _ ]P[ _ ]6	1" High Wall Divider	6	120
TY1.5D[ _ ]P[ _ ]6	1.5" High Wall Divider	6	120
TY2D[ _ ]P[ _ ]6	2" High Wall Divider	6	120
TY3D[ _ ]P[ _ ]6	3" High Wall Divider	6	120
TY4D[ _ ]P[ _ ]6	4" High Wall Divider	6	120
TY5D[ _ ]P[ _ ]6	5" High Wall Divider	6	120

Catalogue Number must be completed by adding suffix S for Solid or W for Wide Slot.

**Example:** TY2DSPG6 is a 2" high solid wall grey divider.

Catalogue Number must be completed by adding suffix G for Grey, W for White, I for Intrinsic Blue, B for Black.

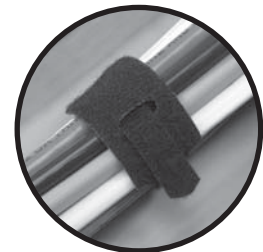
**Example:** TY2DSPG6 is a 2" high solid wall grey divider.

One size fits all!

### Universal Mounting Clips



- Added before or after the duct is in place, without additional hardware
- Twists on into place — holds securely
- Installs easily using a screwdriver
- Accommodates up to 40 lb. cable ties
- Black polycarbonate



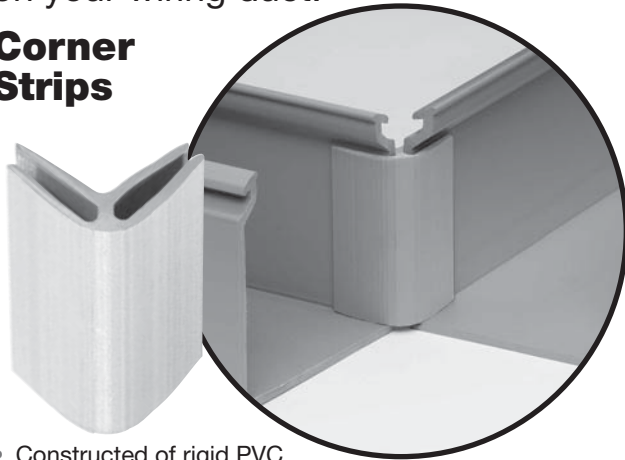
CAT. NO.	DESCRIPTION	QTY
UMC	Universal Fastener Mount	100 pk

# Ty-Duct™

## Accessories

Install smooth round corners on your wiring duct!

### Corner Strips



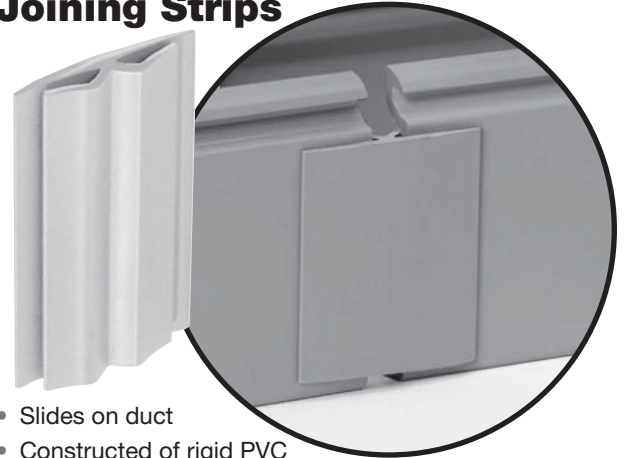
- Constructed of rigid PVC
- One-piece design makes installation a snap
- Works with any Ty-Duct™ wiring duct
- Select from a variety of sizes

CAT. NO.	DESCRIPTION	LENGTH (FT.)	STD. CTN. QTY
TYCS[ _ ]6	Corner Strip	6	120

Catalogue Number must be completed by adding suffix G for Grey, W for White, I for Intrinsic Blue, B for Black.  
**Example:** TYCSG6 is a grey corner strip.

Join duct sections easily!

### Joining Strips



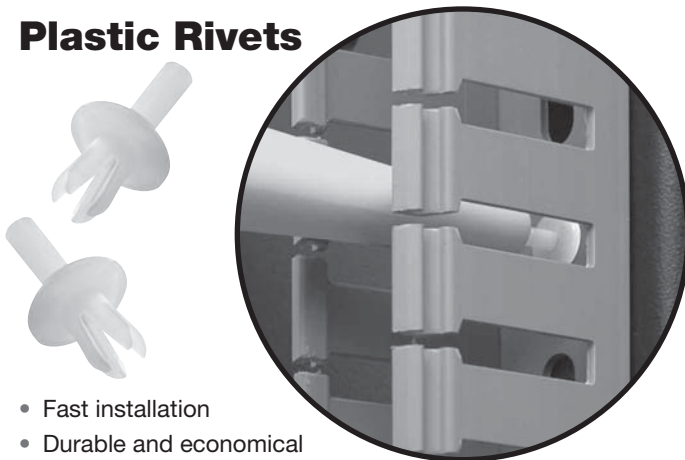
- Slides on duct
- Constructed of rigid PVC
- One-piece design makes installation easy
- Works with any Ty-Duct wiring duct

CAT. NO.	DESCRIPTION	LENGTH (FT.)	STD. CTN. QTY
TYJS[ _ ]6	Joining Strip	6	120

Catalogue Number must be completed by adding suffix G for Grey, W for White, I for Intrinsic Blue, B for Black.  
**Example:** TYJSG6 is a grey joining strip.

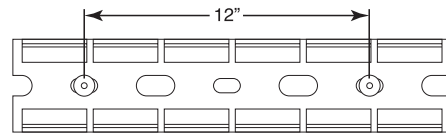
Plastic rivets make mounting ducts easy!

### Plastic Rivets

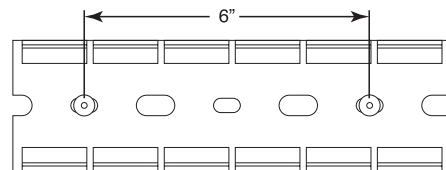


- Fast installation
- Durable and economical
- One size

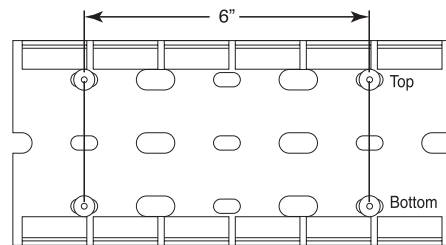
CAT. NO.	DESCRIPTION	QTY
08200C	3/16" Plastic Rivet	100 pk
08200M	3/16" Plastic Rivet	1000 pk



Minimum mounting rivet distance for ducts less than 1 1/2" wide.



Minimum mounting rivet distance for ducts 1 1/2" to 2 1/2" wide.



Minimum mounting rivet distance for ducts greater than 2 1/2" wide. Installed top and bottom.

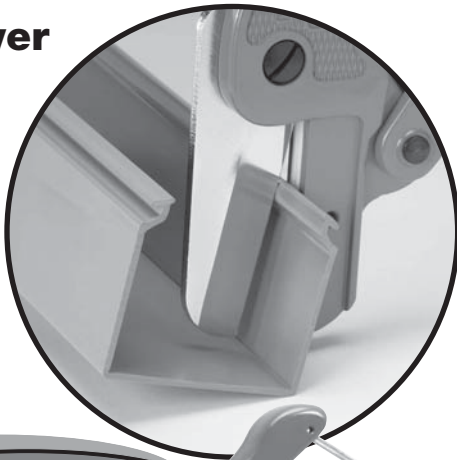
## The wiring duct tools you need for every application!

**Features include:**

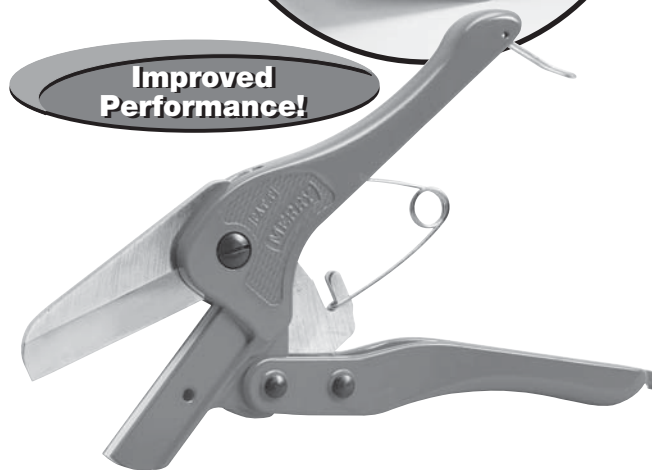
- Duct Cutting Tools for a clean professional finish
- Finger Cutting Tools that make modifications simple
- Notching Tools for duct sidewalls to facilitate tee and corner junctions
- Benchmount Cutting Tools for fast, high volume duct cutting
- Rivet Installation Tools for quick duct mounting

Lightweight and durable!

**Duct/Cover  
Cutting  
Tool**



**Improved  
Performance!**

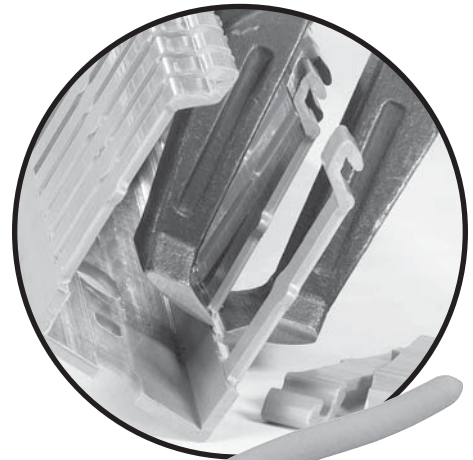


- All-steel construction
- Sharp cutting surface
- Replacement blades available

CAT. NO.	DESCRIPTION
SX-15TB	Handheld Duct Cutter

Cut duct fingers easily!

**Finger  
Cutting  
Tool**



- Rugged die-cast construction with insulated handles for a comfortable, non-slip grip
- Removes duct fingers in tight places
- Works with all slotted wiring duct
- Also cuts round and solid wall duct
- Spring loaded

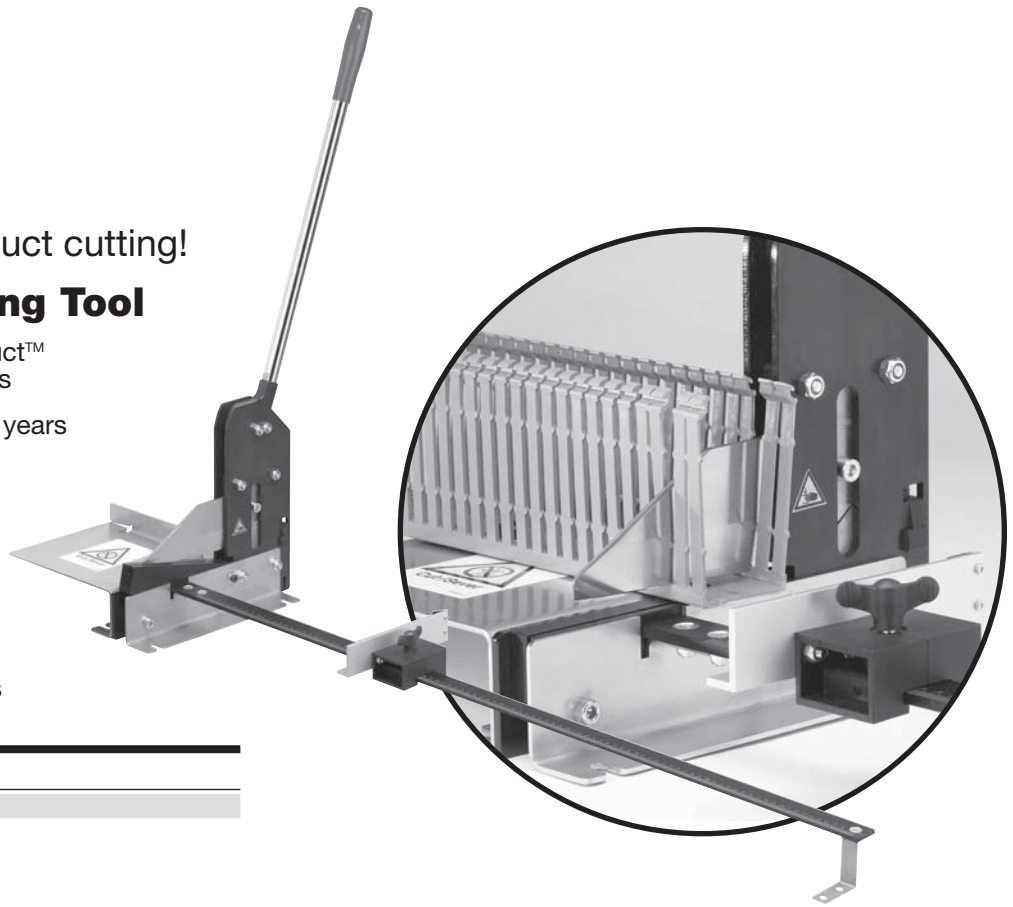
CAT. NO.	DESCRIPTION
DK-65TB	Duct Finger Cutter

# Ty-Duct™ Tools

For fast, high volume duct cutting!

## Benchmark Cutting Tool

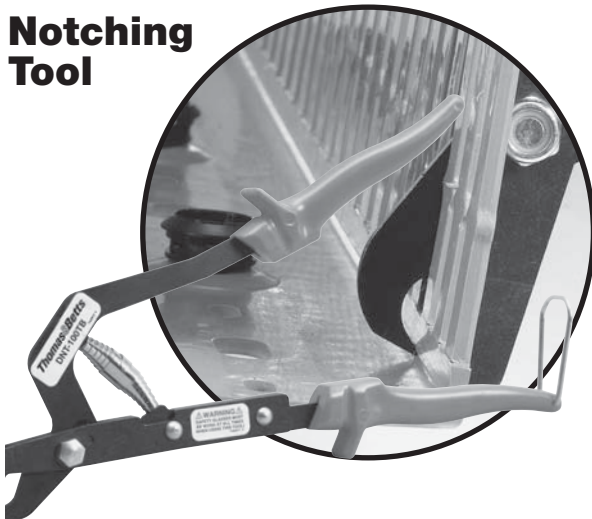
- Engineered for use with Ty-Duct™ plastic wiring ducts and covers
- All-steel construction lasts for years
- Adjustable gauge sets the desired length of duct
- Easy-to-read measuring indicator
- Adjustable stop for easy repeated cutting
- Sharp, easy-to-replace blades



CAT. NO.	DESCRIPTION
DC-125TB	Benchmark Duct Cutter

Notch duct sidewalls fast!

## Notching Tool

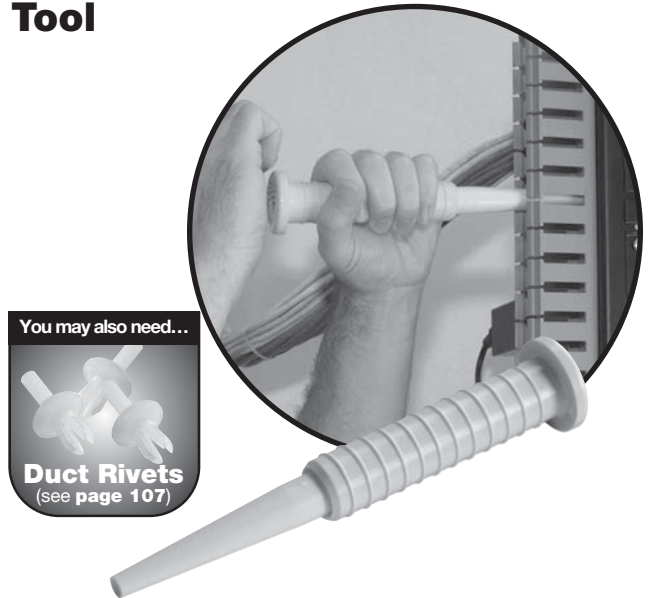


- Notches sidewalls to bottom scoreline
- Facilitates tee and corner junctions
- Rugged design
- Easy to use
- Spring loaded

CAT. NO.	DESCRIPTION
DNT-100TB	Duct Notching Tool

Mount ducts quickly!

## Rivet Installation Tool



You may also need...  
**Duct Rivets**  
(see page 107)

- Use for setting duct rivets
- Pressure on the tool head secures the rivet in place

CAT. NO.	DESCRIPTION
08205	08200 Series Rivet Installation Tool

## Wiring Duct – Wire Fill Capacity

**NOTE:** Wire fill is based on 50% fill of duct area.

NOMINAL DUCT SIZE AREA (INCHES) (INCHES <sup>2</sup> ) W H			ELECTRICAL											DATA CABLE					
			8 AWG		10 AWG		12 AWG		14 AWG			16 AWG		18 AWG		22 AWG	24 AWG		
			0.216	0.153	0.122	0.158	0.105	0.139	0.165	0.096	0.125	0.084	0.113	0.065	0.217	0.250	0.422		
			THHN	THHN	THHN	MTW	THHN	MTW	MTW	THHN	MTW	THHN	MTW	MTW	UTP/CM CAT5E	UTP/CM CAT6	UTP/CM		
0.75 X 1.00	0.750	5	9	14	9	19	11	8	23	14	30	17	51	5	3	1			
0.75 X 1.50	1.125	7	14	22	13	29	17	12	35	21	46	25	76	7	5	2			
0.75 X 2.00	1.500	9	18	29	17	39	22	16	47	27	61	34	101	9	7	2			
1.00 X 1.00	1.000	6	12	19	11	26	15	10	31	18	40	22	68	6	5	2			
1.00 X 1.50	1.500	9	18	29	17	39	22	16	47	27	61	34	101	9	7	2			
1.00 X 2.00	2.000	12	24	38	23	52	30	21	62	37	81	45	135	12	9	3			
1.00 X 3.00	3.000	18	37	58	34	78	44	31	93	55	121	67	203	18	14	5			
1.00 X 4.00	4.000	24	49	77	46	104	59	42	124	73	162	90	270	24	18	6			
1.50 X 1.00	1.500	9	18	29	17	39	22	16	47	27	61	34	101	9	7	2			
1.50 X 1.50	2.250	14	27	43	26	58	33	24	70	41	91	50	152	14	10	4			
1.50 X 2.00	3.000	18	37	58	34	78	44	31	93	55	121	67	203	18	14	5			
1.50 X 3.00	4.500	27	55	86	52	117	67	47	140	82	182	101	304	27	21	7			
1.50 X 4.00	6.000	36	73	115	69	155	89	63	186	110	243	134	406	36	27	10			
2.00 X 1.00	2.000	12	24	38	23	52	30	21	62	37	81	45	135	12	9	3			
2.00 X 1.50	3.000	18	37	58	34	78	44	31	93	55	121	67	203	18	14	5			
2.00 X 2.00	4.000	24	49	77	46	104	59	42	124	73	162	90	270	24	18	6			
2.00 X 3.00	6.000	36	73	115	69	155	89	63	186	110	243	134	406	36	27	10			
2.00 X 4.00	8.000	48	98	154	92	207	118	84	248	146	324	179	541	49	37	13			
2.00 X 5.00	10.000	60	122	192	114	259	148	105	310	183	405	224	676	61	46	16			
2.50 X 2.00	5.000	30	61	96	57	130	74	52	155	91	202	112	338	30	23	8			
2.50 X 3.00	7.500	45	92	144	86	194	111	79	233	137	304	168	507	46	34	12			
2.50 X 4.00	10.000	60	122	192	114	259	148	105	310	183	405	224	676	61	46	16			
3.00 X 1.00	3.000	18	37	58	34	78	44	31	93	55	121	67	203	18	14	5			
3.00 X 2.00	6.000	36	73	115	69	155	89	63	186	110	243	134	406	36	27	10			
3.00 X 3.00	9.000	54	110	173	103	233	133	94	279	165	364	201	609	55	41	14			
3.00 X 4.00	12.000	72	146	230	137	311	177	126	372	219	486	269	811	73	55	19			
3.00 X 5.00	15.000	90	183	288	172	389	222	157	465	274	607	336	1014	91	69	24			
4.00 X 1.50	6.000	36	73	115	69	155	89	63	186	110	243	134	406	36	27	10			
4.00 X 2.00	8.000	48	98	154	92	207	118	84	248	146	324	179	541	49	37	13			
4.00 X 3.00	12.000	72	146	230	137	311	177	126	372	219	486	269	811	73	55	19			
4.00 X 4.00	16.000	96	195	307	183	415	237	168	496	293	648	358	1082	97	73	26			
4.00 X 5.00	20.000	120	244	384	229	518	296	210	620	366	810	448	1352	121	91	32			
6.00 X 4.00	24.000	144	293	461	275	622	355	252	744	439	972	537	1623	146	110	39			

### Formula for Calculating Fill Capacity

$$\text{Number of wires} = \frac{\text{Duct } W \times H}{1.75 \times (\text{Wire O.D.})^2} \div 2$$

## Properties of Materials Used in Wiring Duct

Property	Units	ASTM Test	PVC	Halogen Free
Specific Gravity		D792	1.43	1.10
IZOD	ft.-lb./in.	D256	2	5.0
Flexural Strength	psi	D790	10,900	12,800
Flexural Modulus	psi	D790	382,000	360,000
Tensile Strength	psi	D638	5,500	7,800
Compressive Strength	psi	D695	8,600	16,000
Water Absorption	24 hrs.-%	D570	0.10	0.07
Hardness	Rockwell	D785	R-111	R-115
	Duro D	D676	78	
Dielectric Strength 60Hz, 25° C,	vpm	D149		400
Dielectric Constant 60Hz, Dry 1MHz, Dry		D150		
			1.9	2.65
				2.64
Volume Resistivity	ohm-cm	D257		1017
Heat Deflecting (° F@ 264 psi)	° F	D648	158	212
Flammability			94 V-0	94 V-1

The above information is believed reliable. The user should, however, check the applicable specifications to verify values.

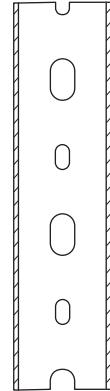
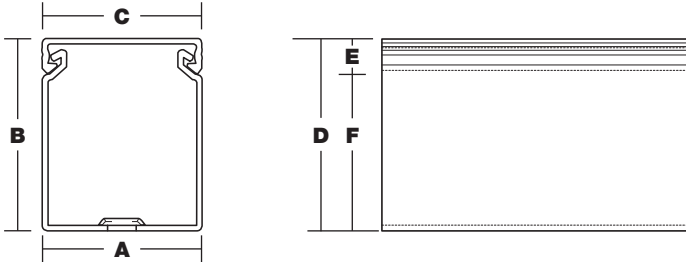
### Rigid Polyvinyl Chloride (PVC)

- General-purpose material for indoor applications
- UL flammability rating of V-0
- UL94 recognized for use in temperatures up to 50° C (122° F)
- Economical wiring duct material

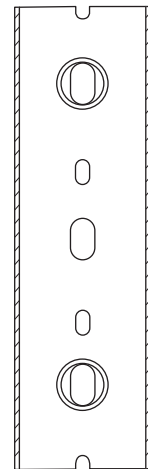
### Halogen Free

- For use in halogen-free or high-temperature applications
- UL flammability rating of V-1
- UL94 recognized for use in temperatures up to 95° C (203° F)
- 20% lighter than PVC

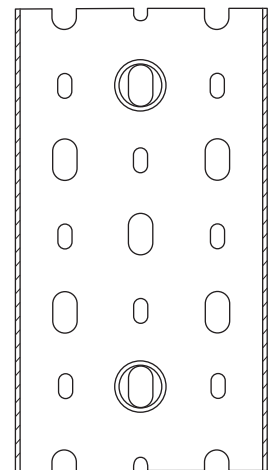
### Thomas & Betts Solid Wall (PVC) Wiring Duct Dimensions



Pattern for 3/4" & 1"



Pattern for 1 1/2", 2" & 2 1/2"



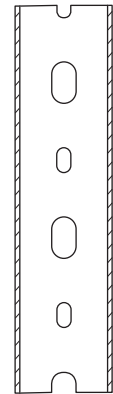
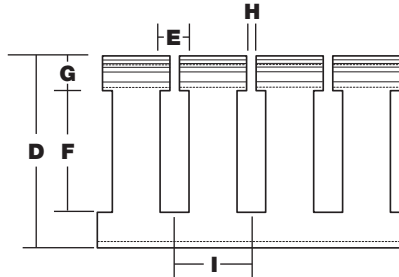
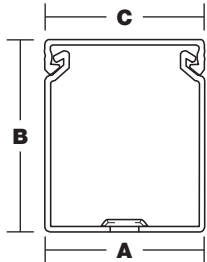
Pattern for 4", 5" & 6"

#### DIMENSIONS (INCHES)

TRADE SIZE		DIMENSIONS (INCHES)					
W	H	A	B	C	D	E	F
0.75 X 1.00		0.94	1.14	0.94	1.03	0.26	0.77
0.75 X 1.50		0.94	1.60	0.94	1.50	0.27	1.23
0.75 X 2.00		0.94	2.10	0.94	2.01	0.29	1.73
1.00 X 1.00		1.25	1.14	1.25	1.03	0.26	0.77
1.00 X 1.50		1.25	1.60	1.25	1.50	0.27	1.23
1.00 X 2.00		1.25	2.10	1.25	2.01	0.28	1.73
1.00 X 3.00		1.25	3.05	1.25	2.99	0.32	2.68
1.00 X 4.00		1.25	4.37	1.25	4.32	0.32	4.00
1.50 X 1.00		1.75	1.14	1.75	1.03	0.26	0.77
1.50 X 1.50		1.75	1.60	1.75	1.50	0.27	1.23
1.50 X 2.00		1.75	2.10	1.75	2.01	0.29	1.73
1.50 X 3.00		1.75	3.05	1.75	2.99	0.34	2.65
1.50 X 4.00		1.75	4.37	1.75	4.32	0.32	4.00
2.00 X 1.00		1.75	1.24	1.75	1.05	0.28	0.77
2.00 X 1.50		2.25	1.70	2.25	1.52	0.29	1.23
2.00 X 2.00		2.25	2.19	2.25	2.03	0.30	1.73
2.00 X 3.00		2.25	3.14	2.25	3.00	0.33	2.68
2.00 X 4.00		2.25	4.46	2.25	4.33	0.33	4.00
2.00 X 5.00		2.25	5.15	2.25	5.02	0.34	4.68
2.50 X 2.00		2.75	2.19	2.75	2.03	0.30	1.73
2.50 X 3.00		2.75	3.14	2.75	3.00	0.33	2.68
2.50 X 4.00		2.75	4.46	2.75	4.33	0.33	4.00
3.00 X 1.00		3.25	1.24	3.25	1.06	0.29	0.77
3.00 X 2.00		3.25	2.19	3.25	2.08	0.35	1.73
3.00 X 3.00		3.25	3.14	3.25	3.06	0.38	2.68
3.00 X 4.00		3.25	4.46	3.25	4.39	0.39	4.00
3.00 X 5.00		3.25	5.15	3.25	5.06	0.38	4.68
4.00 X 1.50		4.25	1.70	4.25	1.57	0.34	1.23
4.00 X 2.00		4.25	2.19	4.25	2.08	0.35	1.73
4.00 X 3.00		4.25	3.14	4.25	3.06	0.38	2.68
4.00 X 4.00		4.25	4.46	4.25	4.39	0.39	4.00
4.00 X 5.00		4.25	5.15	4.25	5.06	0.38	4.68
6.00 X 4.00		6.25	4.46	6.25	4.39	0.39	4.00

Dimensions shown are for reference only. Contact T&B for specific dimensional needs.

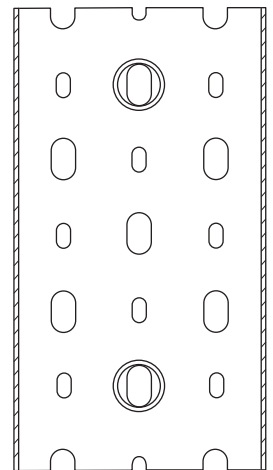
### Thomas & Betts Wide Slot (PVC) Wiring Duct Dimensions



Pattern for 3/4" & 1"



Pattern for 1 1/2", 2" & 2 1/2"



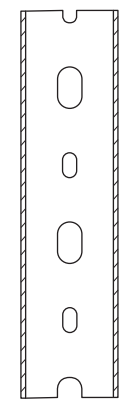
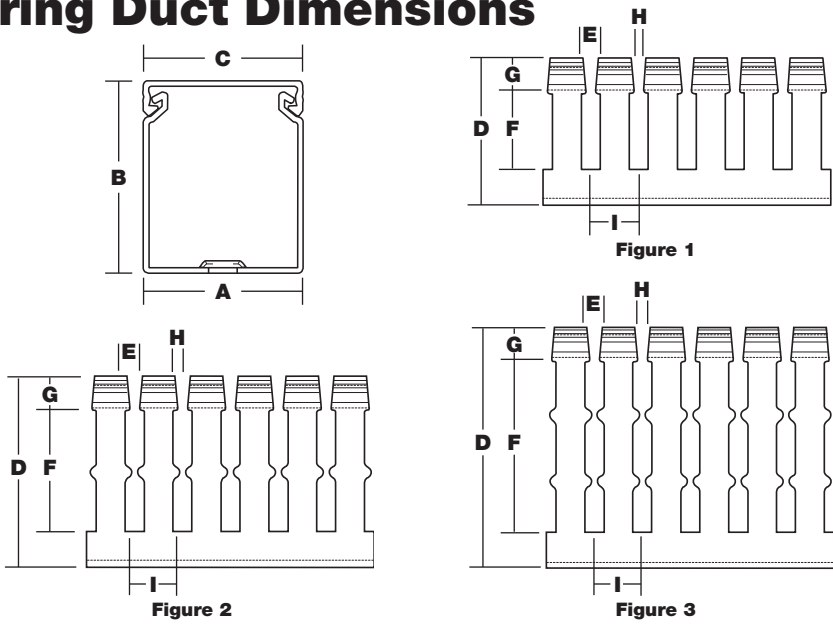
Pattern for 4", 5" & 6"

#### DIMENSIONS (INCHES)

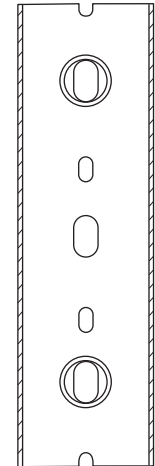
TRADE SIZE		DIMENSIONS (INCHES)								
W	H	A	B	C	D	E	F	G	H	I
0.75 X	1.00	0.94	1.14	0.94	1.03	0.30	0.52	0.26	0.10	0.80
0.75 X	1.50	0.94	1.60	0.94	1.50	0.30	0.93	0.27	0.10	0.80
0.75 X	2.00	0.94	2.10	0.94	2.01	0.30	1.36	0.29	0.10	0.80
1.00 X	1.00	1.25	1.14	1.25	1.03	0.30	0.52	0.26	0.10	0.80
1.00 X	1.50	1.25	1.60	1.25	1.50	0.30	0.93	0.27	0.10	0.80
1.00 X	2.00	1.25	2.10	1.25	2.01	0.30	1.36	0.28	0.10	0.80
1.00 X	3.00	1.25	3.05	1.25	2.99	0.30	2.31	0.32	0.10	1.00
1.00 X	4.00	1.25	4.37	1.25	4.32	0.30	3.63	0.32	0.10	1.00
1.50 X	1.00	1.75	1.14	1.75	1.03	0.30	0.52	0.26	0.10	0.80
1.50 X	1.50	1.75	1.60	1.75	1.50	0.30	0.93	0.27	0.10	0.80
1.50 X	2.00	1.75	2.10	1.75	2.01	0.30	1.36	0.29	0.10	0.80
1.50 X	3.00	1.75	3.05	1.75	2.99	0.30	2.28	0.34	0.10	1.00
1.50 X	4.00	1.75	4.37	1.75	4.32	0.30	3.63	0.32	0.10	1.00
2.00 X	1.00	2.25	1.24	1.75	1.05	0.30	0.52	0.28	0.10	0.80
2.00 X	1.50	2.25	1.70	2.25	1.52	0.30	0.93	0.29	0.10	0.80
2.00 X	2.00	2.25	2.19	2.25	2.03	0.30	1.36	0.30	0.10	0.80
2.00 X	3.00	2.25	3.14	2.25	3.00	0.30	2.31	0.33	0.10	1.00
2.00 X	4.00	2.25	4.46	2.25	4.33	0.30	3.63	0.33	0.10	1.00
2.00 X	5.00	2.25	5.15	2.25	5.02	0.38	4.31	0.34	0.10	1.33
2.50 X	2.00	2.75	2.19	2.75	2.03	0.30	1.36	0.30	0.10	0.80
2.50 X	3.00	2.75	3.14	2.75	3.00	0.30	2.31	0.33	0.10	1.00
2.50 X	4.00	2.75	4.46	2.75	4.33	0.30	3.63	0.33	0.10	1.00
3.00 X	1.00	3.25	1.24	3.25	1.06	0.30	0.52	0.29	0.10	0.80
3.00 X	2.00	3.25	2.19	3.25	2.08	0.30	1.36	0.35	0.10	0.80
3.00 X	3.00	3.25	3.14	3.25	3.06	0.30	2.31	0.38	0.10	1.00
3.00 X	4.00	3.25	4.46	3.25	4.39	0.30	3.63	0.39	0.10	1.00
3.00 X	5.00	3.25	5.15	3.25	5.06	0.38	4.31	0.38	0.10	1.33
4.00 X	1.50	4.25	1.70	4.25	1.57	0.30	0.93	0.34	0.10	0.80
4.00 X	2.00	4.25	2.19	4.25	2.08	0.30	1.36	0.35	0.10	0.80
4.00 X	3.00	4.25	3.14	4.25	3.06	0.30	2.31	0.38	0.10	1.00
4.00 X	4.00	4.25	4.46	4.25	4.39	0.30	3.63	0.39	0.10	1.00
4.00 X	5.00	4.25	5.15	4.25	5.06	0.38	4.31	0.38	0.10	1.33
6.00 X	4.00	6.25	4.46	6.25	4.39	0.30	3.63	0.39	0.10	1.00

Dimensions shown are for reference only. Contact T&B for specific dimensional needs.

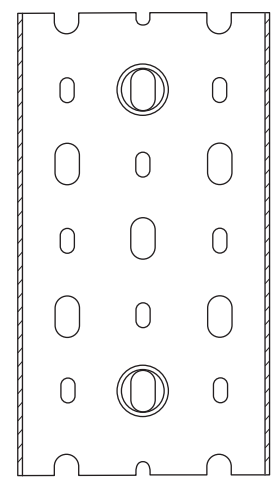
### Thomas & Betts Narrow Slot (PVC) Wiring Duct Dimensions



Pattern for 3/4" & 1"



Pattern for 1 1/2", 2" & 2 1/2"



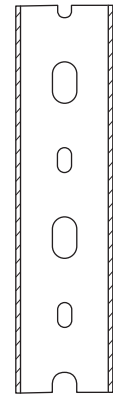
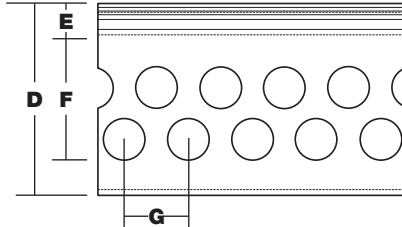
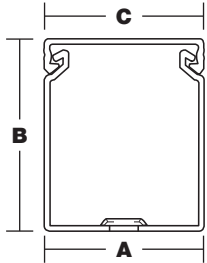
Pattern for 3", 4" & 6"

#### DIMENSIONS (INCHES)

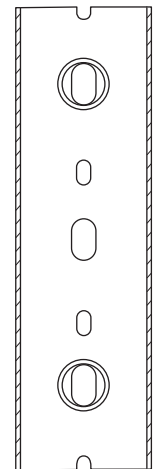
TRADE SIZE	FIG.	A	B	C	D	E	F	G	H	I
0.75 X 1.50	1	0.94	1.60	0.94	1.50	0.20	0.93	0.27	0.10	0.50
1.00 X 1.00	1	1.25	1.14	1.25	1.03	0.20	0.52	0.26	0.10	0.50
1.00 X 1.50	1	1.25	1.60	1.25	1.50	0.20	0.93	0.27	0.10	0.50
1.00 X 2.00	2	1.25	2.10	1.25	2.01	0.20	1.36	0.28	0.10	0.50
1.00 X 3.00	3	1.25	3.05	1.25	2.99	0.20	2.31	0.32	0.10	0.50
1.00 X 4.00	3	1.25	4.37	1.25	4.32	0.20	3.63	0.32	0.10	0.50
1.50 X 1.00	1	1.75	1.14	1.75	1.03	0.20	0.52	0.26	0.10	0.50
1.50 X 1.50	1	1.75	1.60	1.75	1.50	0.20	0.93	0.27	0.10	0.50
1.50 X 2.00	2	1.75	2.10	1.75	2.01	0.20	1.36	0.29	0.10	0.50
1.50 X 3.00	3	1.75	3.05	1.75	2.99	0.20	2.28	0.34	0.10	0.50
1.50 X 4.00	3	1.75	4.37	1.75	4.32	0.20	3.63	0.32	0.10	0.50
2.00 X 1.00	1	2.25	1.24	1.75	1.05	0.20	0.52	0.28	0.10	0.50
2.00 X 1.50	1	2.25	1.70	2.25	1.52	0.20	0.93	0.29	0.10	0.50
2.00 X 2.00	2	2.25	2.19	2.25	2.03	0.20	1.36	0.30	0.10	0.50
2.00 X 3.00	3	2.25	3.14	2.25	3.00	0.20	2.31	0.33	0.10	0.50
2.00 X 4.00	3	2.25	4.46	2.25	4.33	0.20	3.63	0.33	0.10	0.50
2.00 X 5.00	3	2.25	5.15	2.25	5.02	0.20	4.31	0.34	0.10	0.50
2.50 X 2.00	2	2.75	2.19	2.75	2.03	0.20	1.36	0.30	0.10	0.50
2.50 X 3.00	3	2.75	3.14	2.75	3.00	0.20	2.31	0.33	0.10	0.50
2.50 X 4.00	3	2.75	4.46	2.75	4.33	0.20	3.63	0.33	0.10	0.50
3.00 X 1.00	1	3.25	1.24	3.25	1.06	0.20	0.52	0.29	0.10	0.50
3.00 X 2.00	2	3.25	2.19	3.25	2.08	0.20	1.36	0.35	0.10	0.50
3.00 X 3.00	3	3.25	3.14	3.25	3.06	0.20	2.31	0.38	0.10	0.50
3.00 X 4.00	3	3.25	4.46	3.25	4.39	0.20	3.63	0.39	0.10	0.50
3.00 X 5.00	3	3.25	5.15	3.25	5.06	0.20	4.31	0.38	0.10	0.50
4.00 X 2.00	2	4.25	2.19	4.25	2.08	0.20	1.36	0.35	0.10	0.50
4.00 X 3.00	3	4.25	3.14	4.25	3.06	0.20	2.31	0.38	0.10	0.50
4.00 X 4.00	3	4.25	4.46	4.25	4.39	0.20	3.63	0.39	0.10	0.50
4.00 X 5.00	3	4.25	5.15	4.25	5.06	0.20	4.31	0.38	0.10	0.50

Dimensions shown are for reference only. Contact T&B for specific dimensional needs.

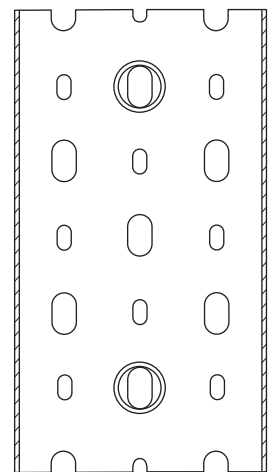
### Thomas & Betts Round Hole (PVC) Wiring Duct Dimensions



Pattern for 3/4" & 1"



Pattern for 1 1/2", 2" & 2 1/2"



Pattern for 3", 4" & 6"

#### DIMENSIONS (INCHES)

TRADE SIZE		DIMENSIONS (INCHES)							ROWS OF HOLES
W	H	A	B	C	D	E	F	G	
1.00 X 1.50		1.25	1.60	1.25	1.50	0.27	1.23	0.67	2
1.00 X 2.00		1.25	2.10	1.25	2.01	0.28	1.73	0.67	2
1.00 X 3.00		1.25	3.05	1.25	2.99	0.32	2.68	0.67	4
1.00 X 4.00		1.25	4.37	1.25	4.32	0.32	4.00	0.67	6
1.50 X 1.00		1.75	1.14	1.75	1.03	0.26	0.77	0.67	2
1.50 X 1.50		1.75	1.60	1.75	1.50	0.27	1.23	0.67	2
1.50 X 2.00		1.75	2.10	1.75	2.01	0.29	1.73	0.67	2
1.50 X 3.00		1.75	3.05	1.75	2.99	0.34	2.65	0.67	4
1.50 X 4.00		1.75	4.37	1.75	4.32	0.32	4.00	0.67	6
2.00 X 1.50		2.25	1.70	2.25	1.52	0.29	1.23	0.67	2
2.00 X 2.00		2.25	2.19	2.25	2.03	0.30	1.73	0.67	2
2.00 X 3.00		2.25	3.14	2.25	3.00	0.33	2.68	0.67	4
2.00 X 4.00		2.25	4.46	2.25	4.33	0.33	4.00	0.67	6
3.00 X 2.00		3.25	2.19	3.25	2.08	0.35	1.73	0.67	2
3.00 X 3.00		3.25	3.14	3.25	3.06	0.38	2.68	0.67	4
3.00 X 4.00		3.25	4.46	3.25	4.39	0.39	4.00	0.67	6
4.00 X 1.50		4.25	1.70	4.25	1.57	0.34	1.23	0.67	2
4.00 X 2.00		4.25	2.19	4.25	2.08	0.35	1.73	0.67	2
4.00 X 3.00		4.25	3.14	4.25	3.06	0.38	2.68	0.67	4
4.00 X 4.00		4.25	4.46	4.25	4.39	0.39	4.00	0.67	6

Dimensions shown are for reference only. Contact T&B for specific dimensional needs.

Ty-Duct™ meets all of the prominent agency approvals and standards.

## Agency Approvals

Thomas & Betts Ty-Duct wiring duct is UL recognized for all requirements set forth in UL standard 1565 "Positioning Device."



The Ty-Duct wiring duct meets all applicable requirements of the Canadian Standard Association as described in CSA C22.2 No. 18.5.



All Ty-Duct wiring duct components comply with the European Directives for CE (Conformite European) Marking.



All materials used in the making of the Ty-Duct wiring duct comply with the European Directives 2002/95/EC (RoHS), 2002/96/EC (WEEE), and 2003/11/EC.

---

## Standards

### NFPA-79-2002

Thomas & Betts Ty-Duct wiring duct is compliant with the National Fire Protection Agency NFPA-79-2002. All materials used in the manufacturing of the Ty-Duct components are selected from flame-retardant material and comply with IEC 60332-1. The testing is required in order to comply with NFPA-79-2002, Section 13.3.1.

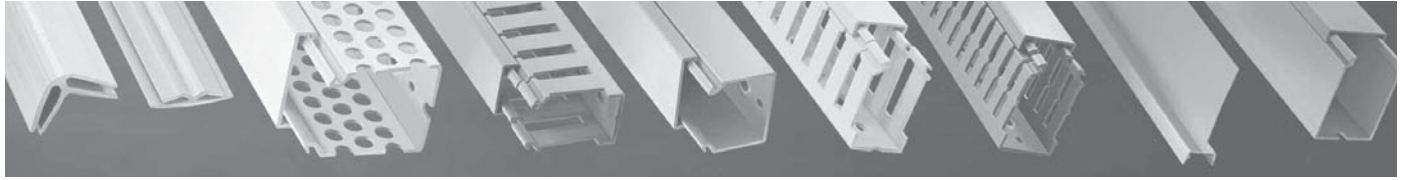
### UL 508/UL 508A

As required in UL508/UL508A a factory-installed conductor shall be separated from a conductor used in a different circuit when the conductors are not insulated for the maximum voltage of either circuit. The Ty-Duct wiring duct with a divider wall creates the required separation to meet this requirement.

### DIN 43 659

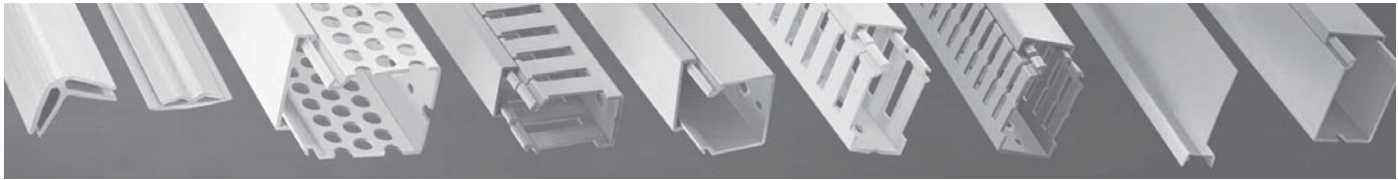
This European standard specifies dimensions for slotted trunkings installed in electrical switchgear assemblies. The standard defines the following dimensions:

- The mounting hole pattern
- The mounting hole slot dimensions
- The mounting hole pitch and location
- The minimum overall product length



Description	Ty-Duct Part No.	**PANDUCT Part No.	Description	Ty-Duct Part No.	**PANDUCT Part No.	Description	Ty-Duct Part No.	**PANDUCT Part No.
<b>Grey</b>			<b>Grey</b>			<b>Grey</b>		
1.5 x 1.5 Solid Wall Grey Duct	TY15X15SPG6	FS1.5X1.5LG6	2.5 x 3 Wide Slot Grey Duct	TY25X3WPG6	G2.5X3LG6	3 x 4 Narrow Slot Grey Duct	TY3X4NPG6	F3X4LG6
1.5 x 1 Solid Wall Grey Duct	TY15X1SPG6	FS1.5X1LG6	2.5 x 4 Wide Slot Grey Duct	TY25X4WPG6	—	3 x 5 Narrow Slot Grey Duct	TY3X5NPG6	F3X5LG6
1.5 x 2 Solid Wall Grey Duct	TY15X2SPG6	FS1.5X2LG6	2 x 1.5 Wide Slot Grey Duct	TY2X15WPG6	G2X1.5LG6	4 x 2 Narrow Slot Grey Duct	TY4X2NPG6	F4X2LG6
1.5 x 3 Solid Wall Grey Duct	TY15X3SPG6	FS1.5X3LG6	2 x 1 Wide Slot Grey Duct	TY2X1WPG6	G2X1LG6	4 x 3 Narrow Slot Grey Duct	TY4X3NPG6	F4X3LG6
1.5 x 4 Solid Wall Grey Duct	TY15X4SPG6	FS1.5X4LG6	2 x 2 Wide Slot Grey Duct	TY2X2WPG6	G2X2LG6	4 x 4 Narrow Slot Grey Duct	TY4X4NPG6	F4X4LG6
1 x 1.5 Solid Wall Grey Duct	TY1X15SPG6	FS1X1.5LG6	2 x 3 Wide Slot Grey Duct	TY2X3WPG6	G2X3LG6	4 x 5 Narrow Slot Grey Duct	TY4X5NPG6	F4X5LG6
1 x 1 Solid Wall Grey Duct	TY1X1SPG6	FS1X1LG6	2 x 4 Wide Slot Grey Duct	TY2X4WPG6	G2X4LG6	.75 x 1.5 Narrow Slot Grey Duct	TY75X15NPG6	F.75X1.5LG6
1 x 2 Solid Wall Grey Duct	TY1X2SPG6	FS1X2LG6NM	2 x 5 Wide Slot Grey Duct	TY2X5WPG6	G2X5LG6	1.5 x 1.5 Round Hole Grey Duct	TY15X15RPG6	—
1 x 3 Solid Wall Grey Duct	TY1X3SPG6	FS1X3LG6	3 x 1 Wide Slot Grey Duct	TY3X1WPG6	G3X1LG6	1.5 x 2 Round Hole Grey Duct	TY15X2RPG6	D1.5X2LG6
1 x 4 Solid Wall Grey Duct	TY1X4SPG6	FS1X4LG6	3 x 2 Wide Slot Grey Duct	TY3X2WPG6	G3X2LG7	1.5 x 3 Round Hole Grey Duct	TY15X3RPG6	D1.5X3LG6
2.5 x 2 Solid Wall Grey Duct	TY25X2SPG6	FS2.5X2LG6	3 x 3 Wide Slot Grey Duct	TY3X3WPG6	G3X3LG8	1.5 x 4 Round Hole Grey Duct	TY15X4RPG6	D1.5X4LG6
2.5 x 3 Solid Wall Grey Duct	TY25X3SPG6	FS2.5X3LG6	3 x 4 Wide Slot Grey Duct	TY3X4WPG6	G3X4LG9	1 x 1.5 Round Hole Grey Duct	TY1X15RPG6	—
2.5 x 4 Solid Wall Grey Duct	TY25X4SPG6	FS2.5X4LG6	3 x 5 Wide Slot Grey Duct	TY3X5WPG6	G3X5LG10	1 x 2 Round Hole Grey Duct	TY1X2RPG6	D1X2LG6
2 x 1.5 Solid Wall Grey Duct	TY2X15SPG6	FS2X1.5LG6	4 x 1.5 Wide Slot Grey Duct	TY4X15WPG6	G4X1.5LG10	1 x 3 Round Hole Grey Duct	TY1X3RPG6	D1X3LG6
2 x 1 Solid Wall Grey Duct	TY2X1SPG6	FS2X1LG6	4 x 2 Wide Slot Grey Duct	TY4X2WPG6	G4X2LG11	1 x 4 Round Hole Grey Duct	TY1X4RPG6	D1X4LG6
2 x 2 Solid Wall Grey Duct	TY2X2SPG6	FS2X2LG6	4 x 3 Wide Slot Grey Duct	TY4X3WPG6	G4X3LG12	2 x 1.5 Round Hole Grey Duct	TY2X15RPG6	—
2 x 3 Solid Wall Grey Duct	TY2X3SPG6	FS2X3LG6	4 x 4 Wide Slot Grey Duct	TY4X4WPG6	G4X4LG13	2 x 2 Round Hole Grey Duct	TY2X2RPG6	D2X2LG6
2 x 4 Solid Wall Grey Duct	TY2X4SPG6	FS2X4LG6NM	4 x 5 Wide Slot Grey Duct	TY4X5WPG6	G4X5LG14	2 x 3 Round Hole Grey Duct	TY2X3RPG6	D2X3LG6
2 x 5 Solid Wall Grey Duct	TY2X5SPG6	FS2X5LG6	6 x 4 Wide Slot Grey Duct	TY6X4WPG6	G6X4LG14	2 x 4 Round Hole Grey Duct	TY2X4RPG6	D2X4LG6
3 x 1 Solid Wall Grey Duct	TY3X1SPG6	FS3X1LG6	.75 x 1.5 Wide Slot Grey Duct	TY75X15WPG6	G.75X1.5LG14	3 x 2 Round Hole Grey Duct	TY3X2RPG6	D3X2LG6
3 x 2 Solid Wall Grey Duct	TY3X2SPG6	FS3X2LG6	.75 x 1 Wide Slot Grey Duct	TY75X1WPG6	G.75X1LG14	3 x 3 Round Hole Grey Duct	TY3X3RPG6	D3X3LG6
3 x 3 Solid Wall Grey Duct	TY3X3SPG6	FS3X3LG6	.75 x 2 Wide Slot Grey Duct	TY75X2WPG6	G.75X2LG14	3 x 4 Round Hole Grey Duct	TY3X4RPG6	D3X4LG6
3 x 4 Solid Wall Grey Duct	TY3X4SPG6	FS3X4LG6NM	1.5 x 1.5 Narrow Slot Grey Duct	TY15X15NPG6	F1.5X1.5LG6	4 x 1.5 Round Hole Grey Duct	TY4X15RPG6	—
3 x 5 Solid Wall Grey Duct	TY3X5SPG6	FS3X5LG6NM	1.5 x 1 Narrow Slot Grey Duct	TY15X1NPG6	F1.5X1LG6	4 x 2 Round Hole Grey Duct	TY4X2RPG6	D4X2LG6
4 x 1.5 Solid Wall Grey Duct	TY4X15SPG6	—	1.5 x 2 Narrow Slot Grey Duct	TY15X2NPG6	F1.5X2LG6	4 x 3 Round Hole Grey Duct	TY4X3RPG6	D4X3LG6
4 x 2 Solid Wall Grey Duct	TY4X2SPG6	FS4X2LG6	1.5 x 3 Narrow Slot Grey Duct	TY15X3NPG6	F1.5X3LG6	4 x 4 Round Hole Grey Duct	TY4X4RPG6	D4X4LG6
4 x 3 Solid Wall Grey Duct	TY4X3SPG6	FS4X3LG6	1.5 x 4 Narrow Slot Grey Duct	TY15X4NPG6	F1.5X4LG6	1" High Grey Wall Divider	TY1DG6	D1H6
4 x 4 Solid Wall Grey Duct	TY4X4SPG6	FS4X4LG6	1 x 1.5 Narrow Slot Grey Duct	TY1X15NPG6	F1X1.5LG6	1.5" High Grey Wall Divider	TY1.5DG6	D2H6
4 x 5 Solid Wall Grey Duct	TY4X5SPG6	FS4X5LG6	1 x 1 Narrow Slot Grey Duct	TY1X1NPG6	F1X1LG6	2" High Grey Wall Divider	TY2DG6	D3H6
6 x 4 Solid Wall Grey Duct	TY6X4SPG6	FS6X4LG6	1 x 2 Narrow Slot Grey Duct	TY1X2NPG6	F1X2LG6	3" High Grey Wall Divider	TY3DG6	D3H6
.75 x 1.5 Solid Wall Grey Duct	TY75X15SPG6	—	1 x 3 Narrow Slot Grey Duct	TY1X3NPG6	F1X3LG6	4" High Grey Wall Divider	TY4DG6	D4H6
.75 x 1 Solid Wall Grey Duct	TY75X1SPG6	—	1 x 4 Narrow Slot Grey Duct	TY1X4NPG6	F1X4LG6	5" High Grey Wall Divider	TY5DG6	D5H6
.75 x 2 Solid Wall Grey Duct	TY75X2SPG6	—	2.5 x 2 Narrow Slot Grey Duct	TY25X2NPG6	—	Grey Corner Strip	TYCSG6	CS1LG6
1.5 x 1.5 Wide Slot Grey Duct	TY15X15WPG6	G1.5X1.5LG6	2.5 x 3 Narrow Slot Grey Duct	TY25X3NPG6	—	Grey Joining Strip	TYJCG6	DJS1LG6
1.5 x 1 Wide Slot Grey Duct	TY15X1WPG6	G1.5X1LG6	2.5 x 4 Narrow Slot Grey Duct	TY25X4NPG6	—	1.5 Grey Duct Cover	TY15CPG6	C1.5LG6
1.5 x 2 Wide Slot Grey Duct	TY15X2WPG6	G1.5X2LG6	2 x 1.5 Narrow Slot Grey Duct	TY2X15NPG6	F2X1.5LG6	1 Grey Duct Cover	TY1CPG6	C1LG6
1.5 x 3 Wide Slot Grey Duct	TY15X3WPG6	G1.5X3LG6	2 x 1 Narrow Slot Grey Duct	TY2X1NPG6	F2X1LG6	2.5 Grey Duct Cover	TY25CPG6	C2.5LG6
1.5 x 4 Wide Slot Grey Duct	TY15X4WPG6	G1.5X4LG6	2 x 2 Narrow Slot Grey Duct	TY2X2NPG6	F2X2LG6	2 Grey Duct Cover	TY2CPG6	C2LG6
1 x 1.5 Wide Slot Grey Duct	TY1X15WPG6	G1X1.5LG6	2 x 3 Narrow Slot Grey Duct	TY2X3NPG6	F2X3LG6	3 Grey Duct Cover	TY3CPG6	C3LG6
1 x 1 Wide Slot Grey Duct	TY1X1WPG6	G1X1LG6	2 x 4 Narrow Slot Grey Duct	TY2X4NPG6	F2X4LG6	4 Grey Duct Cover	TY4CPG6	C4LG6
1 x 2 Wide Slot Grey Duct	TY1X2WPG6	G1X2LG6	2 x 5 Narrow Slot Grey Duct	TY2X5NPG6	F2X5LG6	6 Grey Duct Cover	TY6CPG6	C6LG6
1 x 3 Wide Slot Grey Duct	TY1X3WPG6	G1X3LG6	3 x 1 Narrow Slot Grey Duct	TY3X1NPG6	F3X1LG6	.75 Grey Duct Cover	TY75CPG6	C.75LG6
1 x 4 Wide Slot Grey Duct	TY1X4WPG6	G1X4LG6	3 x 2 Narrow Slot Grey Duct	TY3X2NPG6	F3X2LG6			
2.5 x 2 Wide Slot Grey Duct	TY25X2WPG6	—	3 x 3 Narrow Slot Grey Duct	TY3X3NPG6	F3X3LG6			

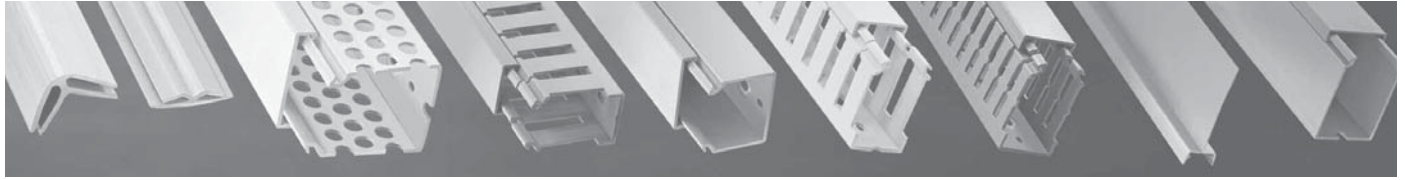
\*\*Panduct® is a trademark of Panduit Corp.



Description	Ty-Duct Part No.	**PANDUCT Part No.	Description	Ty-Duct Part No.	**PANDUCT Part No.	Description	Ty-Duct Part No.	**PANDUCT Part No.
<b>Black</b>			<b>Black</b>			<b>Black</b>		
1.5 x 1.5 Solid Wall Black Duct	TY15X15SPB6	FS1.5X1.5BL6	2.5 x 3 Wide Slot Black Duct	TY25X3WPB6	G2.5X3BL6	3 x 4 Narrow Slot Black Duct	TY3X4NPB6	F3X4BL6
1.5 x 1 Solid Wall Black Duct	TY15X1SPB6	FS1.5X1BL6	2.5 x 4 Wide Slot Black Duct	TY25X4WPB6	—	3 x 5 Narrow Slot Black Duct	TY3X5NPB6	F3X5BL6
1.5 x 2 Solid Wall Black Duct	TY15X2SPB6	FS1.5X2BL6	2 x 1.5 Wide Slot Black Duct	TY2X15WPB6	G2X1.5BL6	4 x 2 Narrow Slot Black Duct	TY4X2NPB6	F4X2BL6
1.5 x 3 Solid Wall Black Duct	TY15X3SPB6	FS1.5X3BL6	2 x 1 Wide Slot Black Duct	TY2X1WPB6	G2X1BL6	4 x 3 Narrow Slot Black Duct	TY4X3NPB6	F4X3BL6
1.5 x 4 Solid Wall Black Duct	TY15X4SPB6	FS1.5X4BL6	2 x 2 Wide Slot Black Duct	TY2X2WPB6	G2X2BL6	4 x 4 Narrow Slot Black Duct	TY4X4NPB6	F4X4BL6
1 x 1.5 Solid Wall Black Duct	TY1X15SPB6	FS1X1.5BL6	2 x 3 Wide Slot Black Duct	TY2X3WPB6	G2X3BL6	4 x 5 Narrow Slot Black Duct	TY4X5NPB6	F4X5BL6
1 x 1 Solid Wall Black Duct	TY1X1SPB6	FS1X1BL6	2 x 4 Wide Slot Black Duct	TY2X4WPB6	G2X4BL6	.75 x 1.5 Narrow Slot Black Duct	TY75X15NPB6	F.75X1.5BL6
1 x 2 Solid Wall Black Duct	TY1X2SPB6	FS1X2BL6NM	2 x 5 Wide Slot Black Duct	TY2X5WPB6	G2X5BL6	1.5 x 1.5 Round Hole Black Duct	TY15X15RPB6	—
1 x 3 Solid Wall Black Duct	TY1X3SPB6	FS1X3BL6	3 x 1 Wide Slot Black Duct	TY3X1WPB6	G3X1BL6	1.5 x 2 Round Hole Black Duct	TY15X2RPB6	D1.5X2BL6
1 x 4 Solid Wall Black Duct	TY1X4SPB6	FS1X4BL6	3 x 2 Wide Slot Black Duct	TY3X2WPB6	G3X2BL7	1.5 x 3 Round Hole Black Duct	TY15X3RPB6	D1.5X3BL6
2.5 x 2 Solid Wall Black Duct	TY25X2SPB6	FS2.5X2BL6	3 x 3 Wide Slot Black Duct	TY3X3WPB6	G3X3BL8	1.5 x 4 Round Hole Black Duct	TY15X4RPB6	D1.5X4BL6
2.5 x 3 Solid Wall Black Duct	TY25X3SPB6	FS2.5X3BL6	3 x 4 Wide Slot Black Duct	TY3X4WPB6	G3X4BL9	1 x 1.5 Round Hole Black Duct	TY1X15RPB6	—
2.5 x 4 Solid Wall Black Duct	TY25X4SPB6	FS2.5X4BL6	3 x 5 Wide Slot Black Duct	TY3X5WPB6	G3X5BL10	1 x 2 Round Hole Black Duct	TY1X2RPB6	D1X2BL6
2 x 1.5 Solid Wall Black Duct	TY2X15SPB6	FS2X1.5BL6	4 x 1.5 Wide Slot Black Duct	TY4X15WPB6	G4X1.5BL10	1 x 3 Round Hole Black Duct	TY1X3RPB6	D1X3BL6
2 x 1 Solid Wall Black Duct	TY2X1SPB6	FS2X1BL6	4 x 2 Wide Slot Black Duct	TY4X2WPB6	G4X2BL11	1 x 4 Round Hole Black Duct	TY1X4RPB6	D1X4BL6
2 x 2 Solid Wall Black Duct	TY2X2SPB6	FS2X2BL6	4 x 3 Wide Slot Black Duct	TY4X3WPB6	G4X3BL12	2 x 1.5 Round Hole Black Duct	TY2X15RPB6	—
2 x 3 Solid Wall Black Duct	TY2X3SPB6	FS2X3BL6	4 x 4 Wide Slot Black Duct	TY4X4WPB6	G4X4BL13	2 x 2 Round Hole Black Duct	TY2X2RPB6	D2X2BL6
2 x 4 Solid Wall Black Duct	TY2X4SPB6	FS2X4BL6NM	4 x 5 Wide Slot Black Duct	TY4X5WPB6	G4X5BL14	2 x 3 Round Hole Black Duct	TY2X3RPB6	D2X3BL6
2 x 5 Solid Wall Black Duct	TY2X5SPB6	FS2X5BL6	6 x 4 Wide Slot Black Duct	TY6X4WPB6	G6X4BL14	2 x 4 Round Hole Black Duct	TY2X4RPB6	D2X4BL6
3 x 1 Solid Wall Black Duct	TY3X1SPB6	FS3X1BL6	.75 x 1.5 Wide Slot Black Duct	TY75X15WPB6	G.75X1.5BL14	3 x 2 Round Hole Black Duct	TY3X2RPB6	D3X2BL6
3 x 2 Solid Wall Black Duct	TY3X2SPB6	FS3X2BL6	.75 x 1 Wide Slot Black Duct	TY75X1WPB6	G.75X1BL14	3 x 3 Round Hole Black Duct	TY3X3RPB6	D3X3BL6
3 x 3 Solid Wall Black Duct	TY3X3SPB6	FS3X3BL6	.75 x 2 Wide Slot Black Duct	TY75X2WPB6	G.75X2BL14	3 x 4 Round Hole Black Duct	TY3X4RPB6	D3X4BL6
3 x 4 Solid Wall Black Duct	TY3X4SPB6	FS3X4BL6NM	1.5 x 1.5 Narrow Slot Black Duct	TY15X15NPB6	F1.5X1.5BL6	4 x 1.5 Round Hole Black Duct	TY4X15RPB6	—
3 x 5 Solid Wall Black Duct	TY3X5SPB6	FS3X5BL6NM	1.5 x 1 Narrow Slot Black Duct	TY15X1NPB6	F1.5X1BL6	4 x 2 Round Hole Black Duct	TY4X2RPB6	D4X2BL6
4 x 1.5 Solid Wall Black Duct	TY4X15SPB6	—	1.5 x 2 Narrow Slot Black Duct	TY15X2NPB6	F1.5X2BL6	4 x 3 Round Hole Black Duct	TY4X3RPB6	D4X3BL6
4 x 2 Solid Wall Black Duct	TY4X2SPB6	FS4X2BL6	1.5 x 3 Narrow Slot Black Duct	TY15X3NPB6	F1.5X3BL6	4 x 4 Round Hole Black Duct	TY4X4RPB6	D4X4BL6
4 x 3 Solid Wall Black Duct	TY4X3SPB6	FS4X3BL6	1.5 x 4 Narrow Slot Black Duct	TY15X4NPB6	F1.5X4BL6	1" High Black Wall Divider	TY1DB6	D1H6*
4 x 4 Solid Wall Black Duct	TY4X4SPB6	FS4X4BL6	1 x 1.5 Narrow Slot Black Duct	TY1X15NPB6	F1X1.5BL6	1.5" High Black Wall Divider	TY1.5DB6	D2H6*
4 x 5 Solid Wall Black Duct	TY4X5SPB6	FS4X5BL6	1 x 1 Narrow Slot Black Duct	TY1X1NPB6	F1X1BL6	2" High Black Wall Divider	TY2DB6	D3H6*
6 x 4 Solid Wall Black Duct	TY6X4SPB6	FS6X4BL6	1 x 2 Narrow Slot Black Duct	TY1X2NPB6	F1X2BL6	3" High Black Wall Divider	TY3DB6	D3H6*
.75 x 1.5 Solid Wall Black Duct	TY75X15SPB6	—	1 x 3 Narrow Slot Black Duct	TY1X3NPB6	F1X3BL6	4" High Black Wall Divider	TY4DB6	D4H6*
.75 x 1 Solid Wall Black Duct	TY75X1SPB6	—	1 x 4 Narrow Slot Black Duct	TY1X4NPB6	F1X4BL6	5" High Black Wall Divider	TY5DB6	D5H6*
.75 x 2 Solid Wall Black Duct	TY75X2SPB6	—	2.5 x 2 Narrow Slot Black Duct	TY25X2NPB6	—	Black Corner Strip	TYCSB6	CS1BL6
1.5 x 1.5 Wide Slot Black Duct	TY15X15WPB6	G1.5X1.5BL6	2.5 x 3 Narrow Slot Black Duct	TY25X3NPB6	—	Black Joining Strip	TYJCB6	DJS1LG6
1.5 x 1 Wide Slot Black Duct	TY15X1WPB6	G1.5X1BL6	2.5 x 4 Narrow Slot Black Duct	TY25X4NPB6	—	1.5 Black Duct Cover	TY15CPB6	C1.5BL6
1.5 x 2 Wide Slot Black Duct	TY15X2WPB6	G1.5X2BL6	2 x 1.5 Narrow Slot Black Duct	TY2X15NPB6	F2X1.5BL6	1 Black Duct Cover	TY1CPB6	C1BL6
1.5 x 3 Wide Slot Black Duct	TY15X3WPB6	G1.5X3BL6	2 x 1 Narrow Slot Black Duct	TY2X1NPB6	F2X1BL6	2.5 Black Duct Cover	TY25CPB6	C2.5BL6
1.5 x 4 Wide Slot Black Duct	TY15X4WPB6	G1.5X4BL6	2 x 2 Narrow Slot Black Duct	TY2X2NPB6	F2X2BL6	2 Black Duct Cover	TY2CPB6	C2BL6
1 x 1.5 Wide Slot Black Duct	TY1X15WPB6	G1X1.5BL6	2 x 3 Narrow Slot Black Duct	TY2X3NPB6	F2X3BL6	3 Black Duct Cover	TY3CPB6	C3BL6
1 x 1 Wide Slot Black Duct	TY1X1WPB6	G1X1BL6	2 x 4 Narrow Slot Black Duct	TY2X4NPB6	F2X4BL6	4 Black Duct Cover	TY4CPB6	C4BL6
1 x 2 Wide Slot Black Duct	TY1X2WPB6	G1X2BL6	2 x 5 Narrow Slot Black Duct	TY2X5NPB6	F2X5BL6	6 Black Duct Cover	TY6CPB6	C6BL6
1 x 3 Wide Slot Black Duct	TY1X3WPB6	G1X3BL6	3 x 1 Narrow Slot Black Duct	TY3X1NPB6	F3X1BL6	.75 Black Duct Cover	TY75CPB6	C.75BL6
1 x 4 Wide Slot Black Duct	TY1X4WPB6	G1X4BL6	3 x 2 Narrow Slot Black Duct	TY3X2NPB6	F3X2BL6			
2.5 x 2 Wide Slot Black Duct	TY25X2WPB6	—	3 x 3 Narrow Slot Black Duct	TY3X3NPB6	F3X3BL6			

\* Only Available in Grey Colour

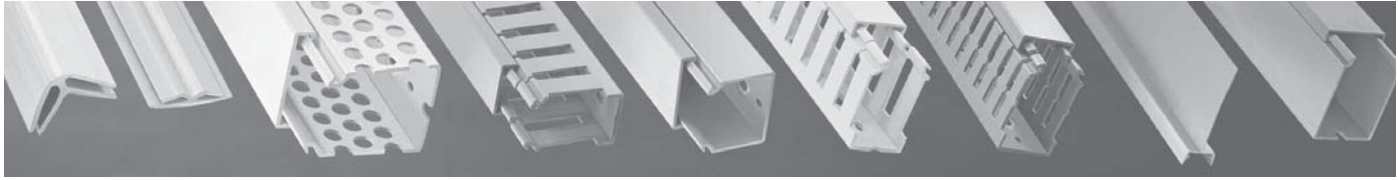
\*\*Panduct® is a trademark of Panduit Corp.



Description	Ty-Duct Part No.	**PANDUCT Part No.	Description	Ty-Duct Part No.	**PANDUCT Part No.	Description	Ty-Duct Part No.	**PANDUCT Part No.
<b>White</b>			<b>White</b>			<b>White</b>		
1.5 x 1.5 Solid Wall White Duct	<b>TY15X1SPW6</b>	FS1.5X1.5WH6	2.5 x 3 Wide Slot White Duct	<b>TY25X3WPW6</b>	G2.5X3WH6	3 x 4 Narrow Slot White Duct	<b>TY3X4NPW6</b>	F3X4WH6
1.5 x 1 Solid Wall White Duct	<b>TY15X1SPW6</b>	FS1.5X1WH6	2.5 x 4 Wide Slot White Duct	<b>TY25X4WPW6</b>	—	3 x 5 Narrow Slot White Duct	<b>TY3X5NPW6</b>	F3X5WH6
1.5 x 2 Solid Wall White Duct	<b>TY15X2SPW6</b>	FS1.5X2WH6	2 x 1.5 Wide Slot White Duct	<b>TY2X15WPW6</b>	G2X1.5WH6	4 x 2 Narrow Slot White Duct	<b>TY4X2NPW6</b>	F4X2WH6
1.5 x 3 Solid Wall White Duct	<b>TY15X3SPW6</b>	FS1.5X3WH6	2 x 1 Wide Slot White Duct	<b>TY2X1WPW6</b>	G2X1WH6	4 x 3 Narrow Slot White Duct	<b>TY4X3NPW6</b>	F4X3WH6
1.5 x 4 Solid Wall White Duct	<b>TY15X4SPW6</b>	FS1.5X4WH6	2 x 2 Wide Slot White Duct	<b>TY2X2WPW6</b>	G2X2WH6	4 x 4 Narrow Slot White Duct	<b>TY4X4NPW6</b>	F4X4WH6
1 x 1.5 Solid Wall White Duct	<b>TY1X15SPW6</b>	FS1X1.5WH6	2 x 3 Wide Slot White Duct	<b>TY2X3WPW6</b>	G2X3WH6	4 x 5 Narrow Slot White Duct	<b>TY4X5NPW6</b>	F4X5WH6
1 x 1 Solid Wall White Duct	<b>TY1X1SPW6</b>	FS1X1WH6	2 x 4 Wide Slot White Duct	<b>TY2X4WPW6</b>	G2X4WH6	.75 x 1.5 Narrow Slot White Duct	<b>TY75X15NPW6</b>	F.75X1.5WH6
1 x 2 Solid Wall White Duct	<b>TY1X2SPW6</b>	FS1X2WH6NM	2 x 5 Wide Slot White Duct	<b>TY2X5WPW6</b>	G2X5WH6	1.5 x 1.5 Round Hole White Duct	<b>TY15X15RPW6</b>	—
1 x 3 Solid Wall White Duct	<b>TY1X3SPW6</b>	FS1X3WH6	3 x 1 Wide Slot White Duct	<b>TY3X1WPW6</b>	G3X1WH6	1.5 x 2 Round Hole White Duct	<b>TY15X2RPW6</b>	D1.5X2WH6
1 x 4 Solid Wall White Duct	<b>TY1X4SPW6</b>	FS1X4WH6	3 x 2 Wide Slot White Duct	<b>TY3X2WPW6</b>	G3X2LG7	1.5 x 3 Round Hole White Duct	<b>TY15X3RPW6</b>	D1.5X3WH6
2.5 x 2 Solid Wall White Duct	<b>TY25X2SPW6</b>	FS2.5X2WH6	3 x 3 Wide Slot White Duct	<b>TY3X3WPW6</b>	G3X3LG8	1.5 x 4 Round Hole White Duct	<b>TY15X4RPW6</b>	D1.5X4WH6
2.5 x 3 Solid Wall White Duct	<b>TY25X3SPW6</b>	FS2.5X3WH6	3 x 4 Wide Slot White Duct	<b>TY3X4WPW6</b>	G3X4LG9	1 x 1.5 Round Hole White Duct	<b>TY1X15RPW6</b>	—
2.5 x 4 Solid Wall White Duct	<b>TY25X4SPW6</b>	FS2.5X4WH6	3 x 5 Wide Slot White Duct	<b>TY3X5WPW6</b>	G3X5LG10	1 x 2 Round Hole White Duct	<b>TY1X2RPW6</b>	D1X2WH6
2 x 1.5 Solid Wall White Duct	<b>TY2X15SPW6</b>	FS2X1.5WH6	4 x 1.5 Wide Slot White Duct	<b>TY4X15WPW6</b>	G4X1.5LG10	1 x 3 Round Hole White Duct	<b>TY1X3RPW6</b>	D1X3WH6
2 x 1 Solid Wall White Duct	<b>TY2X1SPW6</b>	FS2X1WH6	4 x 2 Wide Slot White Duct	<b>TY4X2WPW6</b>	G4X2LG11	1 x 4 Round Hole White Duct	<b>TY1X4RPW6</b>	D1X4WH6
2 x 2 Solid Wall White Duct	<b>TY2X2SPW6</b>	FS2X2WH6	4 x 3 Wide Slot White Duct	<b>TY4X3WPW6</b>	G4X3LG12	2 x 1.5 Round Hole White Duct	<b>TY2X15RPW6</b>	—
2 x 3 Solid Wall White Duct	<b>TY2X3SPW6</b>	FS2X3WH6	4 x 4 Wide Slot White Duct	<b>TY4X4WPW6</b>	G4X4LG13	2 x 2 Round Hole White Duct	<b>TY2X2RPW6</b>	D2X2WH6
2 x 4 Solid Wall White Duct	<b>TY2X4SPW6</b>	FS2X4WH6NM	4 x 5 Wide Slot White Duct	<b>TY4X5WPW6</b>	G4X5LG14	2 x 3 Round Hole White Duct	<b>TY2X3RPW6</b>	D2X3WH6
2 x 5 Solid Wall White Duct	<b>TY2X5SPW6</b>	FS2X5WH6	6 x 4 Wide Slot White Duct	<b>TY6X4WPW6</b>	G6X4LG14	2 x 4 Round Hole White Duct	<b>TY2X4RPW6</b>	D2X4WH6
3 x 1 Solid Wall White Duct	<b>TY3X1SPW6</b>	FS3X1WH6	.75 x 1.5 Wide Slot White Duct	<b>TY75X15WPW6</b>	G.75X1.5LG14	3 x 2 Round Hole White Duct	<b>TY3X2RPW6</b>	D3X2WH6
3 x 2 Solid Wall White Duct	<b>TY3X2SPW6</b>	FS3X2WH6	.75 x 1 Wide Slot White Duct	<b>TY75X1WPW6</b>	G.75X1LG14	3 x 3 Round Hole White Duct	<b>TY3X3RPW6</b>	D3X3WH6
3 x 3 Solid Wall White Duct	<b>TY3X3SPW6</b>	FS3X3WH6	.75 x 2 Wide Slot White Duct	<b>TY75X2WPW6</b>	G.75X2LG14	3 x 4 Round Hole White Duct	<b>TY3X4RPW6</b>	D3X4WH6
3 x 4 Solid Wall White Duct	<b>TY3X4SPW6</b>	FS3X4WH6NM	1.5 x 1.5 Narrow Slot White Duct	<b>TY15X15NPW6</b>	F1.5X1.5WH6	4 x 1.5 Round Hole White Duct	<b>TY4X15RPW6</b>	—
3 x 5 Solid Wall White Duct	<b>TY3X5SPW6</b>	FS3X5WH6NM	1.5 x 1 Narrow Slot White Duct	<b>TY15X1NPW6</b>	F1.5X1WH6	4 x 2 Round Hole White Duct	<b>TY4X2RPW6</b>	D4X2WH6
4 x 1.5 Solid Wall White Duct	<b>TY4X15SPW6</b>	—	1.5 x 2 Narrow Slot White Duct	<b>TY15X2NPW6</b>	F1.5X2WH6	4 x 3 Round Hole White Duct	<b>TY4X3RPW6</b>	D4X3WH6
4 x 2 Solid Wall White Duct	<b>TY4X2SPW6</b>	FS4X2WH6	1.5 x 3 Narrow Slot White Duct	<b>TY15X3NPW6</b>	F1.5X3WH6	4 x 4 Round Hole White Duct	<b>TY4X4RPW6</b>	D4X4WH6
4 x 3 Solid Wall White Duct	<b>TY4X3SPW6</b>	FS4X3WH6	1.5 x 4 Narrow Slot White Duct	<b>TY15X4NPW6</b>	F1.5X4WH6	1" High White Wall Divider	<b>TY1DW6</b>	D1H6*
4 x 4 Solid Wall White Duct	<b>TY4X4SPW6</b>	FS4X4WH6	1 x 1.5 Narrow Slot White Duct	<b>TY1X15NPW6</b>	F1X1.5WH6	1.5" High White Wall Divider	<b>TY1.5DW6</b>	D2H6*
4 x 5 Solid Wall White Duct	<b>TY4X5SPW6</b>	FS4X5WH6	1 x 1 Narrow Slot White Duct	<b>TY1X1NPW6</b>	F1X1WH6	2" High White Wall Divider	<b>TY2DW6</b>	D3H6*
6 x 4 Solid Wall White Duct	<b>TY6X4SPW6</b>	FS6X4WH6	1 x 2 Narrow Slot White Duct	<b>TY1X2NPW6</b>	F1X2WH6	3" High White Wall Divider	<b>TY3DW6</b>	D3H6*
.75 x 1.5 Solid Wall White Duct	<b>TY75X15SPW6</b>	—	1 x 3 Narrow Slot White Duct	<b>TY1X3NPW6</b>	F1X3WH6	4" High White Wall Divider	<b>TY4DW6</b>	D4H6*
.75 x 1 Solid Wall White Duct	<b>TY75X1SPW6</b>	—	1 x 4 Narrow Slot White Duct	<b>TY1X4NPW6</b>	F1X4WH6	5" High White Wall Divider	<b>TY5DW6</b>	D5H6*
.75 x 2 Solid Wall White Duct	<b>TY75X2SPW6</b>	—	2.5 x 2 Narrow Slot White Duct	<b>TY25X2NPW6</b>	—	White Corner Strip	<b>TYCSW6</b>	CS1WH6
1.5 x 1.5 Wide Slot White Duct	<b>TY15X15WPW6</b>	G1.5X1.5WH6	2.5 x 3 Narrow Slot White Duct	<b>TY25X3NPW6</b>	—	White Joining Strip	<b>TYJCW6</b>	DJS1WH6
1.5 x 1 Wide Slot White Duct	<b>TY15X1WPW6</b>	G1.5X1WH6	2.5 x 4 Narrow Slot White Duct	<b>TY25X4NPW6</b>	—	1.5 White Duct Cover	<b>TY15CPW6</b>	C1.5WH6
1.5 x 2 Wide Slot White Duct	<b>TY15X2WPW6</b>	G1.5X2WH6	2 x 1.5 Narrow Slot White Duct	<b>TY2X15NPW6</b>	F2X1.5WH6	1 White Duct Cover	<b>TY1CPW6</b>	C1WH6
1.5 x 3 Wide Slot White Duct	<b>TY15X3WPW6</b>	G1.5X3WH6	2 x 1 Narrow Slot White Duct	<b>TY2X1NPW6</b>	F2X1WH6	2.5 White Duct Cover	<b>TY25CPW6</b>	C2.5WH6
1.5 x 4 Wide Slot White Duct	<b>TY15X4WPW6</b>	G1.5X4WH6	2 x 2 Narrow Slot White Duct	<b>TY2X2NPW6</b>	F2X2WH6	2 White Duct Cover	<b>TY2CPW6</b>	C2WH6
1 x 1.5 Wide Slot White Duct	<b>TY1X15WPW6</b>	G1X1.5WH6	2 x 3 Narrow Slot White Duct	<b>TY2X3NPW6</b>	F2X3WH6	3 White Duct Cover	<b>TY3CPW6</b>	C3WH6
1 x 1 Wide Slot White Duct	<b>TY1X1WPW6</b>	G1X1WH6	2 x 4 Narrow Slot White Duct	<b>TY2X4NPW6</b>	F2X4WH6	4 White Duct Cover	<b>TY4CPW6</b>	C4WH6
1 x 2 Wide Slot White Duct	<b>TY1X2WPW6</b>	G1X2WH6	2 x 5 Narrow Slot White Duct	<b>TY2X5NPW6</b>	F2X5WH6	6 White Duct Cover	<b>TY6CPW6</b>	C6WH6
1 x 3 Wide Slot White Duct	<b>TY1X3WPW6</b>	G1X3WH6	3 x 1 Narrow Slot White Duct	<b>TY3X1NPW6</b>	F3X1WH6	.75 White Duct Cover	<b>TY75CPW6</b>	C.75WH6
1 x 4 Wide Slot White Duct	<b>TY1X4WPW6</b>	G1X4WH6	3 x 2 Narrow Slot White Duct	<b>TY3X2NPW6</b>	F3X2WH6			
2.5 x 2 Wide Slot White Duct	<b>TY25X2WPW6</b>	—	3 x 3 Narrow Slot White Duct	<b>TY3X3NPW6</b>	F3X3WH6			

\* Only Available in Grey Colour

\*\*Panduct® is a trademark of Panduit Corp.



Description	Ty-Duct Part No.	**PANDUCT Part No.	Description	Ty-Duct Part No.	**PANDUCT Part No.	Description	Ty-Duct Part No.	**PANDUCT Part No.
<b>Int. Blue</b>			<b>Int. Blue</b>			<b>Int. Blue</b>		
1.5 x 1.5 Solid Wall Int Blue Duct	<b>TY15X15SPI6</b>	FS1.5X1.5IB6	2.5 x 3 Wide Slot Int Blue Duct	<b>TY25X3WPI6</b>	G2.5X3IB6	3 x 4 Narrow Slot Int Blue Duct	<b>TY3X4NPI6</b>	F3X4IB6
1.5 x 1 Solid Wall Int Blue Duct	<b>TY15X1SPI6</b>	FS1.5X1IB6	2.5 x 4 Wide Slot Int Blue Duct	<b>TY25X4WPI6</b>	—	3 x 5 Narrow Slot Int Blue Duct	<b>TY3X5NPI6</b>	F3X5IB6
1.5 x 2 Solid Wall Int Blue Duct	<b>TY15X2SPI6</b>	FS1.5X2IB6	2 x 1.5 Wide Slot Int Blue Duct	<b>TY2X15WPI6</b>	G2X1.5IB6	4 x 2 Narrow Slot Int Blue Duct	<b>TY4X2NPI6</b>	F4X2IB6
1.5 x 3 Solid Wall Int Blue Duct	<b>TY15X3SPI6</b>	FS1.5X3IB6	2 x 1 Wide Slot Int Blue Duct	<b>TY2X1WPI6</b>	G2X1IB6	4 x 3 Narrow Slot Int Blue Duct	<b>TY4X3NPI6</b>	F4X3IB6
1.5 x 4 Solid Wall Int Blue Duct	<b>TY15X4SPI6</b>	FS1.5X4IB6	2 x 2 Wide Slot Int Blue Duct	<b>TY2X2WPI6</b>	G2X2IB6	4 x 4 Narrow Slot Int Blue Duct	<b>TY4X4NPI6</b>	F4X4IB6
1 x 1.5 Solid Wall Int Blue Duct	<b>TY1X15SPI6</b>	FS1X1.5IB6	2 x 3 Wide Slot Int Blue Duct	<b>TY2X3WPI6</b>	G2X3IB6	4 x 5 Narrow Slot Int Blue Duct	<b>TY4X5NPI6</b>	F4X5IB6
1 x 1 Solid Wall Int Blue Duct	<b>TY1X1SPI6</b>	FS1X1IB6	2 x 4 Wide Slot Int Blue Duct	<b>TY2X4WPI6</b>	G2X4IB6	.75 x 1.5 Narrow Slot Int Blue Duct	<b>TY75X15NPI6</b>	F.75X1.5IB6
1 x 2 Solid Wall Int Blue Duct	<b>TY1X2SPI6</b>	FS1X2IB6NM	2 x 5 Wide Slot Int Blue Duct	<b>TY2X5WPI6</b>	G2X5IB6	1.5 x 1.5 Round Hole Int Blue Duct	<b>TY15X15RPI6</b>	—
1 x 3 Solid Wall Int Blue Duct	<b>TY1X3SPI6</b>	FS1X3IB6	3 x 1 Wide Slot Int Blue Duct	<b>TY3X1WPI6</b>	G3X1IB6	1.5 x 2 Round Hole Int Blue Duct	<b>TY15X2RPI6</b>	D1.5X2IB6
1 x 4 Solid Wall Int Blue Duct	<b>TY1X4SPI6</b>	FS1X4IB6	3 x 2 Wide Slot Int Blue Duct	<b>TY3X2WPI6</b>	G3X2LG7	1.5 x 3 Round Hole Int Blue Duct	<b>TY15X3RPI6</b>	D1.5X3IB6
2.5 x 2 Solid Wall Int Blue Duct	<b>TY25X2SPI6</b>	FS2.5X2IB6	3 x 3 Wide Slot Int Blue Duct	<b>TY3X3WPI6</b>	G3X3LG8	1.5 x 4 Round Hole Int Blue Duct	<b>TY15X4RPI6</b>	D1.5X4IB6
2.5 x 3 Solid Wall Int Blue Duct	<b>TY25X3SPI6</b>	FS2.5X3IB6	3 x 4 Wide Slot Int Blue Duct	<b>TY3X4WPI6</b>	G3X4LG9	1 x 1.5 Round Hole Int Blue Duct	<b>TY1X15RPI6</b>	—
2.5 x 4 Solid Wall Int Blue Duct	<b>TY25X4SPI6</b>	FS2.5X4IB6	3 x 5 Wide Slot Int Blue Duct	<b>TY3X5WPI6</b>	G3X5LG10	1 x 2 Round Hole Int Blue Duct	<b>TY1X2RPI6</b>	D1X2IB6
2 x 1.5 Solid Wall Int Blue Duct	<b>TY2X15SPI6</b>	FS2X1.5IB6	4 x 1.5 Wide Slot Int Blue Duct	<b>TY4X15WPI6</b>	G4X1.5LG10	1 x 3 Round Hole Int Blue Duct	<b>TY1X3RPI6</b>	D1X3IB6
2 x 1 Solid Wall Int Blue Duct	<b>TY2X1SPI6</b>	FS2X1IB6	4 x 2 Wide Slot Int Blue Duct	<b>TY4X2WPI6</b>	G4X2LG11	1 x 4 Round Hole Int Blue Duct	<b>TY1X4RPI6</b>	D1X4IB6
2 x 2 Solid Wall Int Blue Duct	<b>TY2X2SPI6</b>	FS2X2IB6	4 x 3 Wide Slot Int Blue Duct	<b>TY4X3WPI6</b>	G4X3LG12	2 x 1.5 Round Hole Int Blue Duct	<b>TY2X15RPI6</b>	—
2 x 3 Solid Wall Int Blue Duct	<b>TY2X3SPI6</b>	FS2X3IB6	4 x 4 Wide Slot Int Blue Duct	<b>TY4X4WPI6</b>	G4X4LG13	2 x 2 Round Hole Int Blue Duct	<b>TY2X2RPI6</b>	D2X2IB6
2 x 4 Solid Wall Int Blue Duct	<b>TY2X4SPI6</b>	FS2X4IB6NM	4 x 5 Wide Slot Int Blue Duct	<b>TY4X5WPI6</b>	G4X5LG14	2 x 3 Round Hole Int Blue Duct	<b>TY2X3RPI6</b>	D2X3IB6
2 x 5 Solid Wall Int Blue Duct	<b>TY2X5SPI6</b>	FS2X5IB6	6 x 4 Wide Slot Int Blue Duct	<b>TY6X4WPI6</b>	G6X4LG14	2 x 4 Round Hole Int Blue Duct	<b>TY2X4RPI6</b>	D2X4IB6
3 x 1 Solid Wall Int Blue Duct	<b>TY3X1SPI6</b>	FS3X1IB6	.75 x 1.5 Wide Slot Int Blue Duct	<b>TY75X15WPI6</b>	G.75X1.5LG14	3 x 2 Round Hole Int Blue Duct	<b>TY3X2RPI6</b>	D3X2IB6
3 x 2 Solid Wall Int Blue Duct	<b>TY3X2SPI6</b>	FS3X2IB6	.75 x 1 Wide Slot Int Blue Duct	<b>TY75X1WPI6</b>	G.75X1LG14	3 x 3 Round Hole Int Blue Duct	<b>TY3X3RPI6</b>	D3X3IB6
3 x 3 Solid Wall Int Blue Duct	<b>TY3X3SPI6</b>	FS3X3IB6	.75 x 2 Wide Slot Int Blue Duct	<b>TY75X2WPI6</b>	G.75X2LG14	3 x 4 Round Hole Int Blue Duct	<b>TY3X4RPI6</b>	D3X4IB6
3 x 4 Solid Wall Int Blue Duct	<b>TY3X4SPI6</b>	FS3X4IB6NM	1.5 x 1.5 Narrow Slot Int Blue Duct	<b>TY15X15NPI6</b>	F1.5X1.5IB6	4 x 1.5 Round Hole Int Blue Duct	<b>TY4X15RPI6</b>	—
3 x 5 Solid Wall Int Blue Duct	<b>TY3X5SPI6</b>	FS3X5IB6NM	1.5 x 1 Narrow Slot Int Blue Duct	<b>TY15X1NPI6</b>	F1.5X1IB6	4 x 2 Round Hole Int Blue Duct	<b>TY4X2RPI6</b>	D4X2IB6
4 x 1.5 Solid Wall Int Blue Duct	<b>TY4X15SPI6</b>	—	1.5 x 2 Narrow Slot Int Blue Duct	<b>TY15X2NPI6</b>	F1.5X2IB6	4 x 3 Round Hole Int Blue Duct	<b>TY4X3RPI6</b>	D4X3IB6
4 x 2 Solid Wall Int Blue Duct	<b>TY4X2SPI6</b>	FS4X2IB6	1.5 x 3 Narrow Slot Int Blue Duct	<b>TY15X3NPI6</b>	F1.5X3IB6	4 x 4 Round Hole Int Blue Duct	<b>TY4X4RPI6</b>	D4X4IB6
4 x 3 Solid Wall Int Blue Duct	<b>TY4X3SPI6</b>	FS4X3IB6	1.5 x 4 Narrow Slot Int Blue Duct	<b>TY15X4NPI6</b>	F1.5X4IB6	1" High Int Blue Wall Divider	<b>TY1DI6</b>	D1H6*
4 x 4 Solid Wall Int Blue Duct	<b>TY4X4SPI6</b>	FS4X4IB6	1 x 1.5 Narrow Slot Int Blue Duct	<b>TY1X15NPI6</b>	F1X1.5IB6	1.5" High Int Blue Wall Divider	<b>TY1.5DI6</b>	D2H6*
4 x 5 Solid Wall Int Blue Duct	<b>TY4X5SPI6</b>	FS4X5IB6	1 x 1 Narrow Slot Int Blue Duct	<b>TY1X1NPI6</b>	F1X1IB6	2" High Int Blue Wall Divider	<b>TY2DI6</b>	D3H6*
6 x 4 Solid Wall Int Blue Duct	<b>TY6X4SPI6</b>	FS6X4IB6	1 x 2 Narrow Slot Int Blue Duct	<b>TY1X2NPI6</b>	F1X2IB6	3" High Int Blue Wall Divider	<b>TY3DI6</b>	D3H6*
.75 x 1.5 Solid Wall Int Blue Duct	<b>TY75X15SPI6</b>	—	1 x 3 Narrow Slot Int Blue Duct	<b>TY1X3NPI6</b>	F1X3IB6	4" High Int Blue Wall Divider	<b>TY4DI6</b>	D4H6*
.75 x 1 Solid Wall Int Blue Duct	<b>TY75X1SPI6</b>	—	1 x 4 Narrow Slot Int Blue Duct	<b>TY1X4NPI6</b>	F1X4IB6	5" High Int Blue Wall Divider	<b>TY5DI6</b>	D5H6*
.75 x 2 Solid Wall Int Blue Duct	<b>TY75X2SPI6</b>	—	2.5 x 2 Narrow Slot Int Blue Duct	<b>TY25X2NPI6</b>	—	Int Blue Corner Strip	<b>TYCSI6</b>	CS1IB6
1.5 x 1.5 Wide Slot Int Blue Duct	<b>TY15X15WPI6</b>	G1.5X1.5IB6	2.5 x 3 Narrow Slot Int Blue Duct	<b>TY25X3NPI6</b>	—	Int Blue Joining Strip	<b>TYJCI6</b>	DJS1IB6
1.5 x 1 Wide Slot Int Blue Duct	<b>TY15X1WPI6</b>	G1.5X1IB6	2.5 x 4 Narrow Slot Int Blue Duct	<b>TY25X4NPI6</b>	—	1.5 Int Blue Duct Cover	<b>TY15CPI6</b>	C1.5IB6
1.5 x 2 Wide Slot Int Blue Duct	<b>TY15X2WPI6</b>	G1.5X2IB6	2 x 1.5 Narrow Slot Int Blue Duct	<b>TY2X15NPI6</b>	F2X1.5IB6	1 Int Blue Duct Cover	<b>TY1CPI6</b>	C1IB6
1.5 x 3 Wide Slot Int Blue Duct	<b>TY15X3WPI6</b>	G1.5X3IB6	2 x 1 Narrow Slot Int Blue Duct	<b>TY2X1NPI6</b>	F2X1IB6	2.5 Int Blue Duct Cover	<b>TY25CPI6</b>	C2.5IB6
1.5 x 4 Wide Slot Int Blue Duct	<b>TY15X4WPI6</b>	G1.5X4IB6	2 x 2 Narrow Slot Int Blue Duct	<b>TY2X2NPI6</b>	F2X2IB6	2 Int Blue Duct Cover	<b>TY2CPI6</b>	C2IB6
1 x 1.5 Wide Slot Int Blue Duct	<b>TY1X15WPI6</b>	G1X1.5IB6	2 x 3 Narrow Slot Int Blue Duct	<b>TY2X3NPI6</b>	F2X3IB6	3 Int Blue Duct Cover	<b>TY3CPI6</b>	C3IB6
1 x 1 Wide Slot Int Blue Duct	<b>TY1X1WPI6</b>	G1X1IB6	2 x 4 Narrow Slot Int Blue Duct	<b>TY2X4NPI6</b>	F2X4IB6	4 Int Blue Duct Cover	<b>TY4CPI6</b>	C4IB6
1 x 2 Wide Slot Int Blue Duct	<b>TY1X2WPI6</b>	G1X2IB6	2 x 5 Narrow Slot Int Blue Duct	<b>TY2X5NPI6</b>	F2X5IB6	6 Int Blue Duct Cover	<b>TY6CPI6</b>	C6IB6
1 x 3 Wide Slot Int Blue Duct	<b>TY1X3WPI6</b>	G1X3IB6	3 x 1 Narrow Slot Int Blue Duct	<b>TY3X1NPI6</b>	F3X1IB6	.75 Int Blue Duct Cover	<b>TY75CPI6</b>	C.75IB6
1 x 4 Wide Slot Int Blue Duct	<b>TY1X4WPI6</b>	G1X4IB6	3 x 2 Narrow Slot Int Blue Duct	<b>TY3X2NPI6</b>	F3X2IB6			
2.5 x 2 Wide Slot Int Blue Duct	<b>TY25X2WPI6</b>	—	3 x 3 Narrow Slot Int Blue Duct	<b>TY3X3NPI6</b>	F3X3IB6			

\* Only Available in Grey Colour

\*\*Panduct® is a trademark of Panduit Corp.