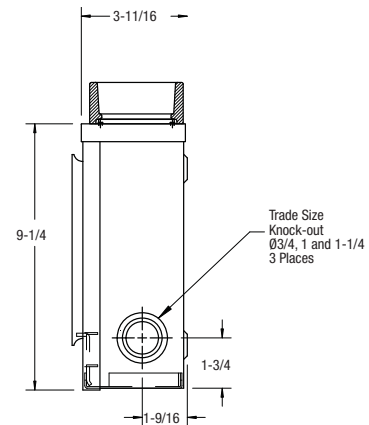
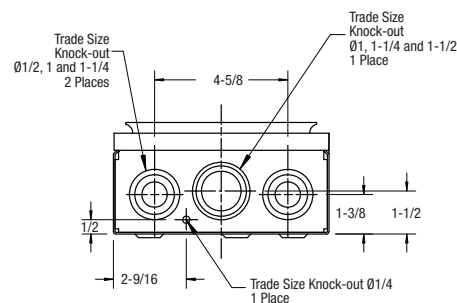
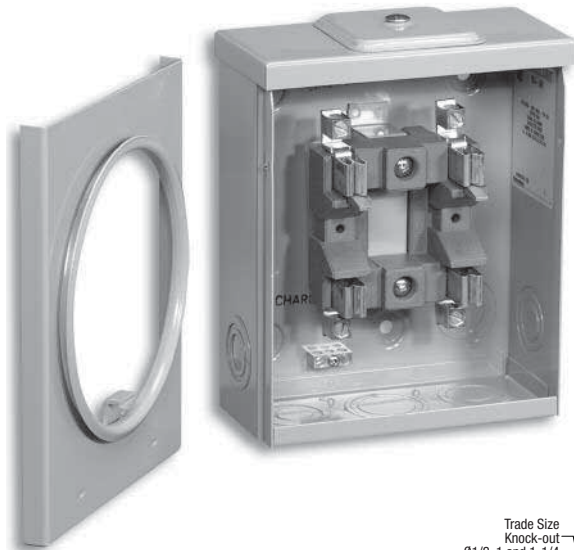


TRANSFORMER RATED METER SOCKETS • 20 AMP. 600 VOLTS MAX.

Product Specifications


- Conductor range: 14-10 AWG
- Circuit closing feature to short out current transformer upon removal of meter
- Supplied with screw type ring
- Weatherproof Type 3R enclosure
- **Primarily used in:** Sask., Man., Ont., N.B., N.S., P.E.I., NFLD



Ordering Information

Dimensions are in inches

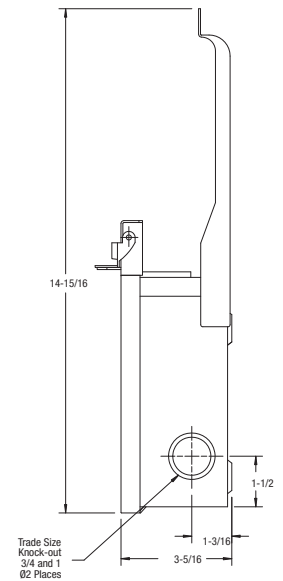
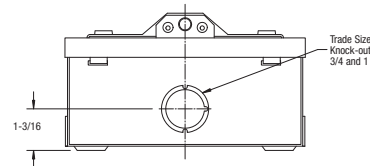
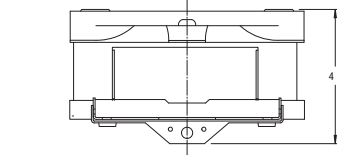
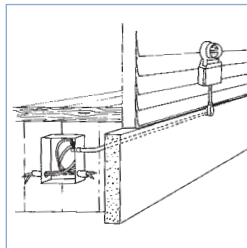
CATALOGUE NUMBER	DESCRIPTION	DIMENSIONS (inches)			WEIGHT EACH	
		H	W	D	lb	kg
4 JAW						
CL4-V	Circuit closing on left side	9-1/4	7-5/8	3-11/16	7	3.1
CL4-LRV	Circuit closing both left and right sides	9-1/4	7-5/8	3-11/16	7	3.1
CL4-TV	Circuit closing on left side, no hub opening	9-1/4	7-5/8	3-11/16	7	3.1
5 JAW						
CL5-V	Circuit closing on left side (Lower right hand jaw is a support only)	9-1/4	7-5/8	3-11/16	7	3.1
6 JAW						
CL6-LRV	Circuit closing both left and right sides	9-1/4	7-5/8	3-11/16	7	3.1

 Approved for copper only.

TRANSFORMER RATED, METER SOCKETS • 20 AMP. 600 VOLTS MAX.

Product Specifications

- Suitable for 120 / 240 Volts single phase service entrance over 200 Amp. when meter is outdoors with current transformers indoors
- Enclosure only – complete with neoprene gasket and meter mounting screws for use with bottom connected meter
- Replacement gasket available: Specify: Cat. No. NEO-100
- Weatherproof Type 3R enclosure
- **Primarily used in:** Quebec.



Dimensions are in inches

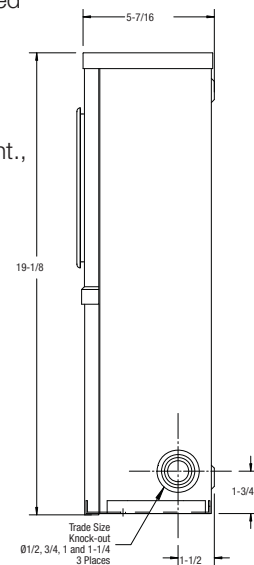
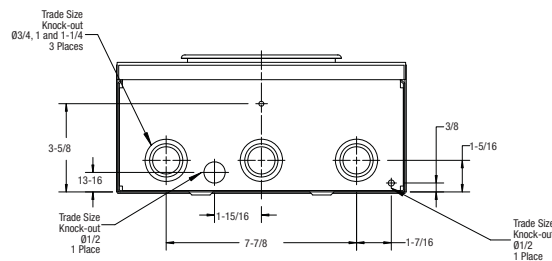
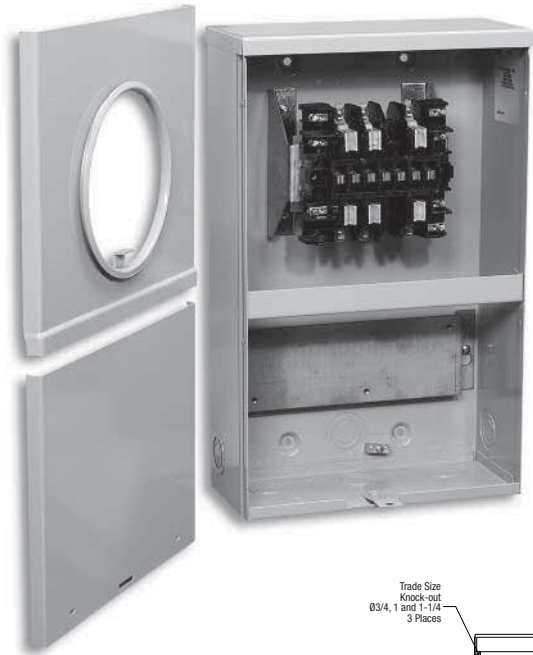
Ordering Information

CATALOGUE NUMBER	DESCRIPTION	DIMENSIONS (inches)			WEIGHT EACH	
		H	W	D	lb	kg
AB100	Weatherproof Type 3R enclosure	14-15/16	7	3-5/16	7	3.1

TRANSFORMER RATED METER SOCKETS • 20 AMP. 600 VOLTS MAX.

Product Specifications


- Conductor range: 14-10 AWG
- Meter compartment cover overlaps lower test switch compartment cover; insertion of meter securely holds upper cover in place by means of a catch
- Lower test switch compartment cover securely held by upper cover and a catch at bottom
- A removable mounting bridge is provided for fastening test switches
- Supplied with screw type ring
- Weatherproof Type 3R enclosure
- **Primarily used in:** AB, Sask., Man., Ont., N.B., N.S., P.E.I.



Dimensions are in inches

Ordering Information

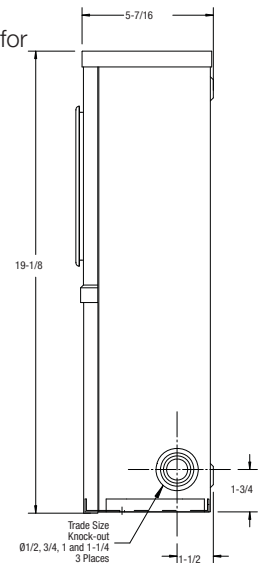
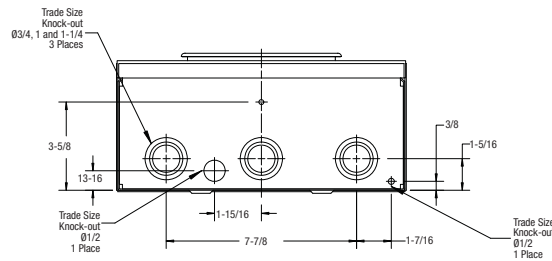
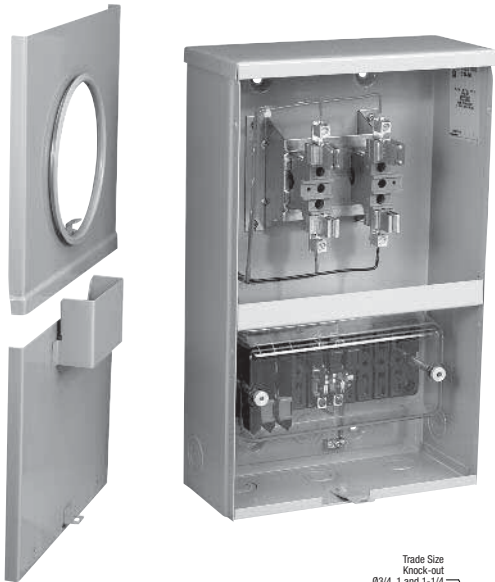
CATALOGUE NUMBER	DESCRIPTION	DIMENSIONS (inches)			WEIGHT EACH	
		H	W	D	lb	kg
4 JAW						
CT104	Weatherproof Type 3R enclosure	19- $\frac{1}{8}$	11-13- $\frac{1}{16}$	5- $\frac{7}{16}$	16	7.2
5 JAW						
CT105	Weatherproof Type 3R enclosure	19- $\frac{1}{8}$	11-13- $\frac{1}{16}$	5- $\frac{7}{16}$	16	7.2
8 JAW						
CT108	Weatherproof Type 3R enclosure	19- $\frac{1}{8}$	11-13- $\frac{1}{16}$	5- $\frac{7}{16}$	18	8.1
13 JAW						
CT113	Weatherproof Type 3R enclosure	19- $\frac{1}{8}$	11-13- $\frac{1}{16}$	5- $\frac{7}{16}$	19	8.6

 Approved for copper only.

TRANSFORMER RATED METER SOCKETS • 20 AMP. 600 VOLTS MAX.

Product Specifications

- Conductor range: 14-10 AWG
- Lower test switch compartment cover securely held by upper cover and a out device with an enlarged pad hole (0.375" dia)
- Test switch included as part of these models
- Units are pre-wired from base to test switch
- Furnished with tamper resistant device for meter ring
- Weatherproof Type 3R enclosure
- **Primarily used in:** Alberta



Ordering Information

Dimensions are in inches

CATALOGUE NUMBER	DESCRIPTION	DIMENSIONS (inches)			WEIGHT EACH	
		H	W	D	lb	kg
4 JAW						
CT104-SWL	Weatherproof Type 3R enclosure	19-1/8	11-13/16	5-7/16	18	8.2
6 JAW						
CT106-SWL	Weatherproof Type 3R enclosure	19-1/8	11-13/16	5-7/16	21	9.5
13 JAW						
CT113-SWL	Weatherproof Type 3R enclosure	19-1/8	11-13/16	5-7/16	21	9.5

“ALL IN ONE” TRANSFORMER RATED METER SOCKETS • 400 AMP. 600 VOLTS MAX.



Note: Photo is of an installed meter socket; current transformers are not included.

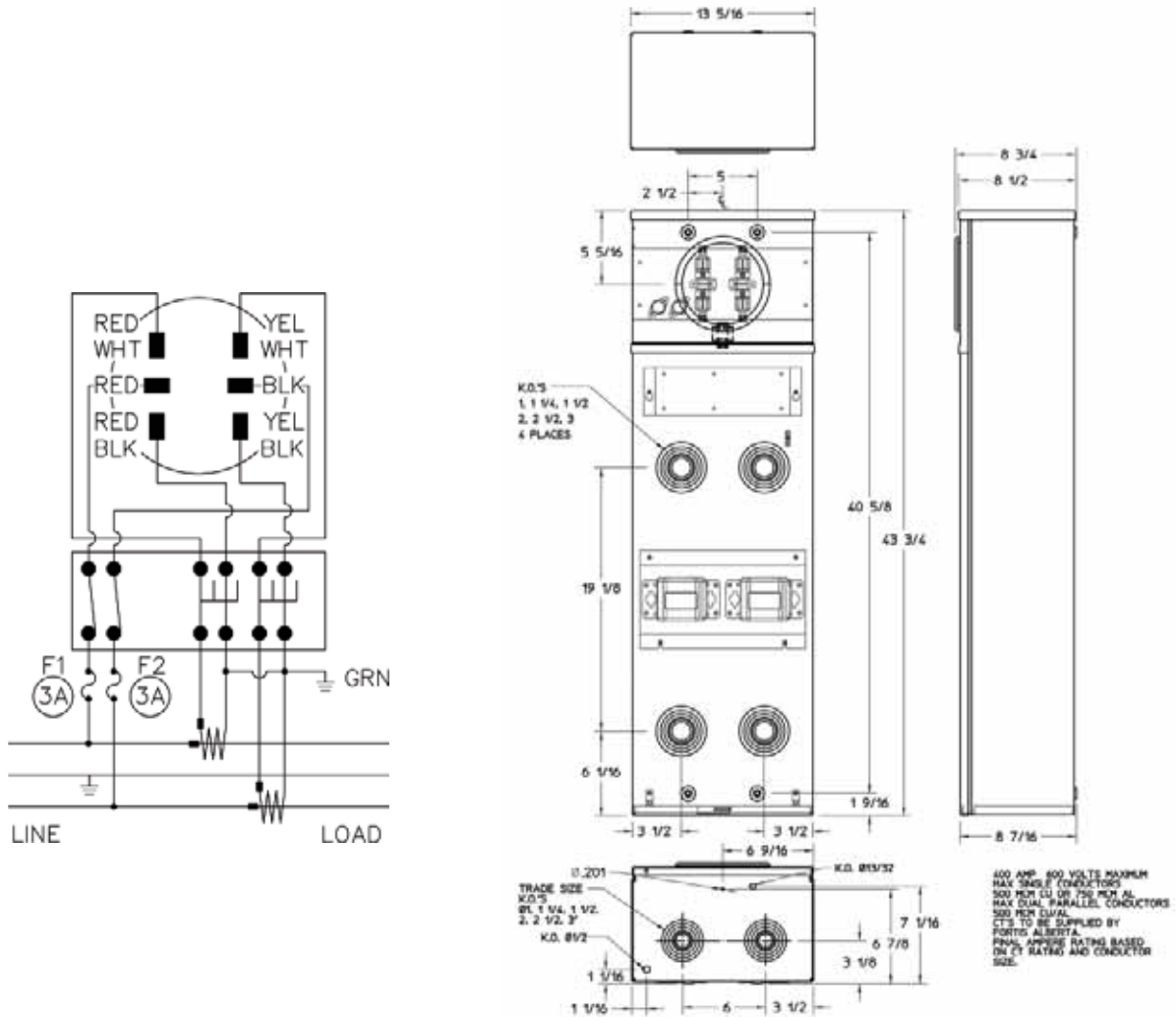
Product Specifications

- Permanent red nameplate affixed to front cover warns that removal of meter does not isolate the load terminals; also warning to short circuit current transformer (secondary) before removal of meter.
- Max. single conductor 500 kcmil CU or 750 kcmil AL. Max dual parallel conductors 500 kcmil CU/AL.
- Meter socket configuration for 6 jaws.
- Complete with 6 pole test switch.
- Complete with 2 fuseholders and 3 Amp. 32 volt fuses.
- Load and line side termination at discretion of utility.
- Installation of current transformer at discretion of utility.
- Two 1", 1-1/4", 1-1/2", 2", 2-1/2" and 3" bottom K.O.'s.
- Weatherproof 3R enclosure.
- **Primarily used in:** Alberta

FA4B-6T



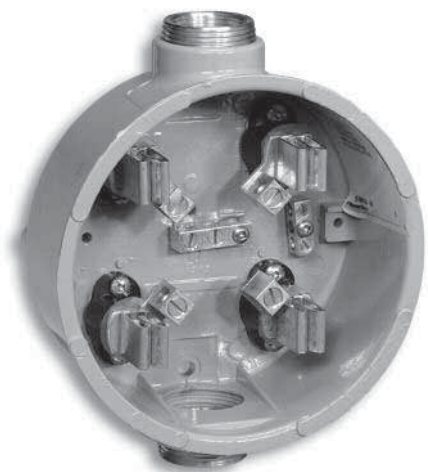
“ALL IN ONE” TRANSFORMER RATED METER SOCKETS • 400 AMP. 600 VOLTS MAX.



CATALOGUE NUMBER	DESCRIPTION	DIMENSIONS (inches)		WEIGHT EACH	
		W	D	lb	kg
FA4B-6T	Underground c/w 6 pole test switch	13-5/16	8-7/16	50	22.67

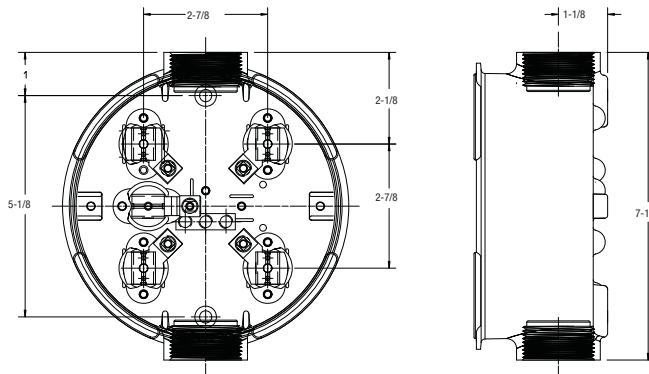
Approved for copper or aluminum

ROUND ALUMINUM METER SOCKETS • 100 AMP. 600 VOLTS MAX.



Product Specifications


- Conductor range: 14-2 AWG
- Aluminum tunnel type connectors
- Can be converted from vertical to horizontal mounting using same components
- Supplied with screw type ring
- Aluminum die cast socket
- Weatherproof Type 3R enclosure
- **Primarily used in:** B.C., Northern Ont.



Ordering Information

Dimensions are in inches

CATALOGUE NUMBER	DESCRIPTION	DIMENSIONS (inches)		WEIGHT EACH	
		Dia.	D	lb	kg
4 JAW					
R3-1V	1" hub	7-1/8	3-1/8	2	0.9
R3-1-1/4V	1-1/4" hub	7-1/8	3-1/8	2	0.9
R3-1-5V	1" hub - 5 th jaw, standard capacity, 9 o'c position	7-1/8	3-1/8	2	0.9
R3-1¹/₄-5V	1-1/4" hub - 5 th jaw, standard capacity, 9 o'c position	7-1/8	3-1/8	2	0.9

 Approved for copper only.

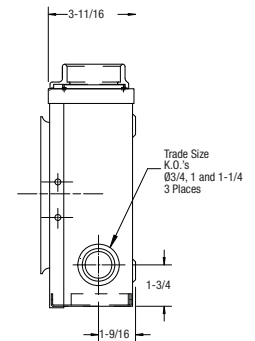
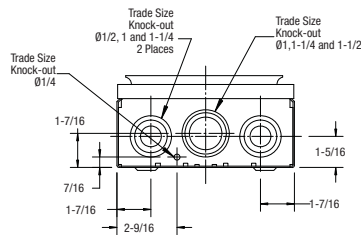
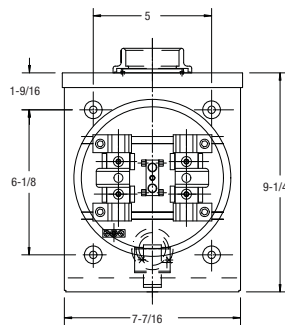
SHALLOW SQUARE METER SOCKETS • 100 AMP. 600 VOLTS MAX.



Product Specifications

- Conductor range: 6-2 AWG
- Aluminum tunnel type connectors
- Supplied with screw type ring
- Weatherproof Type 3R enclosure
- **Primarily used in:** All provinces

NOTE: Supply from an underground network often requires use of stud type receptacle. Consult your local utility.



Dimensions are in inches

Ordering Information

CATALOGUE NUMBER	DESCRIPTION	DIMENSIONS (inches)			WEIGHT EACH	
		H	W	D	lb	kg
4 JAW						
BA3-V	Overhead, hub opening	9-1/4	7-7/16	3-11/16	5	2.2
BA3-1V	Overhead, hub opening, c/w 1" hub	9-1/4	7-7/16	3-11/16	5	2.2
BA3-1¹/₄V	Overhead, hub opening, c/w 1-1/4" hub	9-1/4	7-7/16	3-11/16	5	2.2
BA3-TV	Underground	9-1/4	7-7/16	3-11/16	5	2.2
BA3-TCV	Combination overhead-underground	9-1/4	7-7/16	3-11/16	5	2.2
BA33-V	Overhead, twin hub opening	9-1/4	7-7/16	3-11/16	5	2.2
BA33-1V	Overhead, twin hub opening c/w 1" hubs	9-1/4	7-7/16	3-11/16	5	2.2
BA33-1¹/₄V	Overhead, twin hub opening, c/w 1-1/4" hubs	9-1/4	7-7/16	3-11/16	5	2.2
BA4-V	Indoor type, K.O. on top	9-1/4	7-7/16	3-11/16	5	2.2
FACTORY-INSTALLED ACCESSORIES						
Include: -IN	Insulated Neutral					
-5	5 th jaw, standard capacity, 9 o'clock position					
-9	5 th jaw, full capacity, 9 o'clock position					

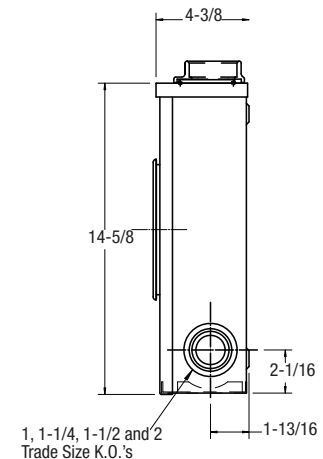
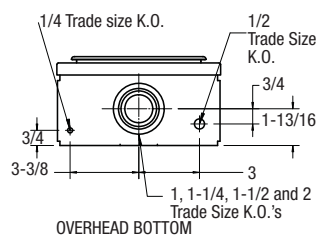
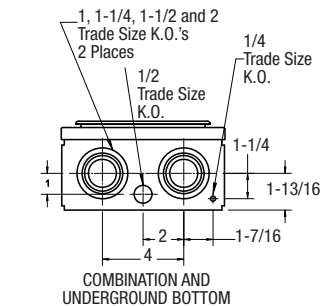
Approved for copper only.

KING SIZE METER SOCKETS • 100 AMP. 600 VOLTS MAX.

Product Specifications

- Conductor range: 6-1/0 AWG
- Aluminum tunnel type connectors
- Supplied with screw type ring
- Weatherproof Type 3R enclosure
- **Primarily used in:** All provinces


NOTE: Supply from an underground network often requires use of stud type receptacle. Consult your local utility.



Dimensions are in inches

Ordering Information

CATALOGUE NUMBER	DESCRIPTION	DIMENSIONS (inches)			WEIGHT EACH	
		H	W	D	lb	kg
4 JAW						
BE1-V	Overhead, hub opening	14-5/8	8-1/4	4-3/8	8	3.6
BE1-1¹/₄V	Overhead, hub opening, c/w 1-1/4" hub	14-5/8	8-1/4	4-3/8	8	3.6
BE1-1¹/₂V	Overhead, hub opening, c/w 1-1/2" hub	14-5/8	8-1/4	4-3/8	8	3.6
BE1-TV	Underground	14-5/8	8-1/4	4-3/8	8	3.6
BE1-TCV	Combination overhead-underground	14-5/8	8-1/4	4-3/8	8	3.6
BE11-V-CM	Overhead, twin hub opening	14-5/8	8-1/4	4-3/8	8	3.6
BE11-1¹/₄V	Overhead, twin hub opening c/w 1-1/4" hub	14-5/8	8-1/4	4-3/8	8	3.6
FACTORY-INSTALLED ACCESSORIES						
Include: -5	5 th jaw, standard capacity, 9 o'c position					
-9	5 th jaw, full capacity, 9 o'c position					
-6	5 th jaw, full capacity, 6 o'c position					
-IN	Insulated neutral					
-W	Water heater lugs					

 Approved for copper or aluminum.

BE2 Series



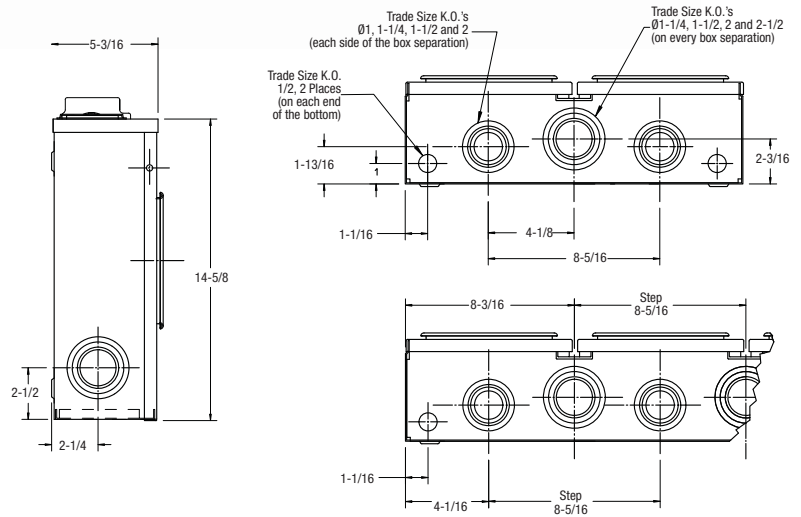
HORIZONTAL METER TROUGHS • 100 AMP. PER POSITION. • 200 AMP. 600 VOLTS MAX.



Product Specifications

- Conductor range: Line: 6 AWG-250 kcmil
Load: 6-1/0 AWG
- Aluminum tunnel type connectors
- Factory prebussed from main lugs to each position
- Combination overhead-underground supplied with hub opening closure plate for underground service
- Hubs to be ordered separately (refer to page 35)
- Supplied with screw type rings
- Weatherproof Type 3R enclosure
- **Primarily used in:** All provinces

NOTE: Supply from an underground network often requires use of stud type receptacle. Consult your local utility.



Dimensions are in inches

Ordering Information

CATALOGUE NUMBER		METER POSITION	DIMENSIONS (inches)			WEIGHT EACH	
			H	W	D	lb	kg
4 JAW							
LEFT-HAND ENTRY	RIGHT-HAND ENTRY						
BE2-V	BE2-VH	2 position	14-5/8	16-1/2	5-3/16	18	8.1
BE3-V	BE3-VH	3 position	14-5/8	24-13/16	5-3/16	26	11.8
BE4-V	BE4-VH	4 position	14-5/8	33-1/8	5-3/16	34	15.4
BE5-V	BE5-VH	5 position	14-5/8	41-7/16	5-3/16	42	19.0
BE6-V	BE6-VH	6 position	14-5/8	49-3/4	5-3/16	50	22.7
FACTORY-INSTALLED ACCESSORIES							
-5		5 th jaw, standard capacity, 9 o'c position					

Approved for copper or aluminum.

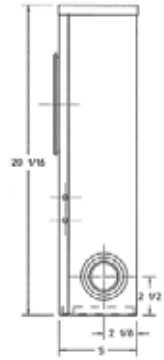
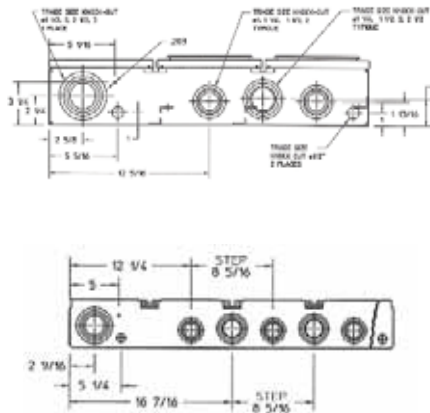
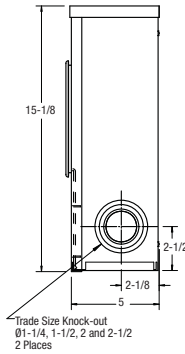
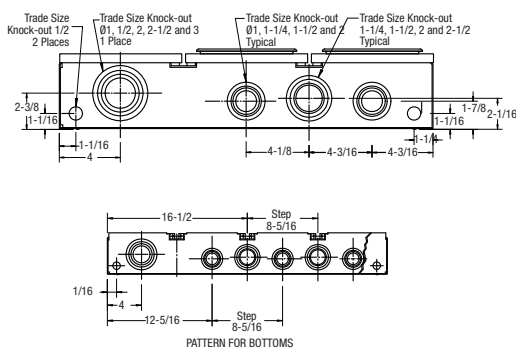
HORIZONTAL METER TROUGHS • 100 AMP. PER POSITION. • 200 AMP. 600 VOLTS MAX. MAIN LUGS STUD TYPE



Product Specifications

- Conductor range: Line: 1/2" studs supplied standard
Load: 6-1/0 AWG
- For underground service only
- Aluminum tunnel type connectors (load side)
- Factory prebussed from main lugs to each position
- Supplied with screw type rings
- Weatherproof Type 3R enclosure
- **Primarily used in:** B.C., *Sask., Man., Ont., Que.

NOTE: Models with suffix -VA = tunnel type connectors on line side provided instead of studs (required by B.C. Hydro)



Note: Pattern for bottoms. Left hand entry is shown. For right-hand entry, unit is manufactured symmetrically with hub openings, knock-out and line connections on right side.

Dimensions are in inches

Ordering Information

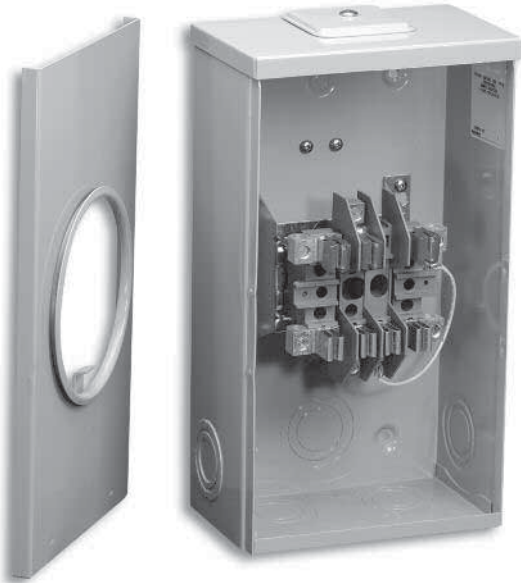
CATALOGUE NUMBER	METER POSITION	DIMENSIONS (inches)			WEIGHT EACH		
		H	W	D	lb	kg	
4 JAW							
LEFT-HAND ENTRY	RIGHT-HAND ENTRY						
BEC2-V	BEC2-VH	2 position	15-1/8	24-3/16	5	27	12.2
BEC2-VA	BEC2-VAH	2 position c/w connector	15-1/8	24-3/16	5	27	12.2
BEC2-VE*	BEC2-VEH	2 position	20-1/16	24-3/16	5	27	12.2
BEC3-V	BEC3-VH	3 position	15-1/8	33-1/8	5	35	15.9
BEC3-VA	BEC3-VAH	3 position c/w connector	15-1/8	33-1/8	5	35	15.9
BEC3-VE*		3 position	20-1/16	33-1/8	5	35	15.9
BEC4-V	BEC4-VH	4 position	15-1/8	41-7/16	5	43	19.5
BEC4-VA		4 position c/w connector	15-1/8	41-7/16	5	43	19.5
BEC4-VE*		4 position	20-1/16	41-7/16	5	43	19.5
BEC5-V	BEC5-VH	5 position	15-1/8	49-3/8	5	51	23.1
BEC6-V	BEC6-VH	6 position	15-1/8	57-5/8	5	59	26.8

Approved for copper or aluminum.

PL17 Series

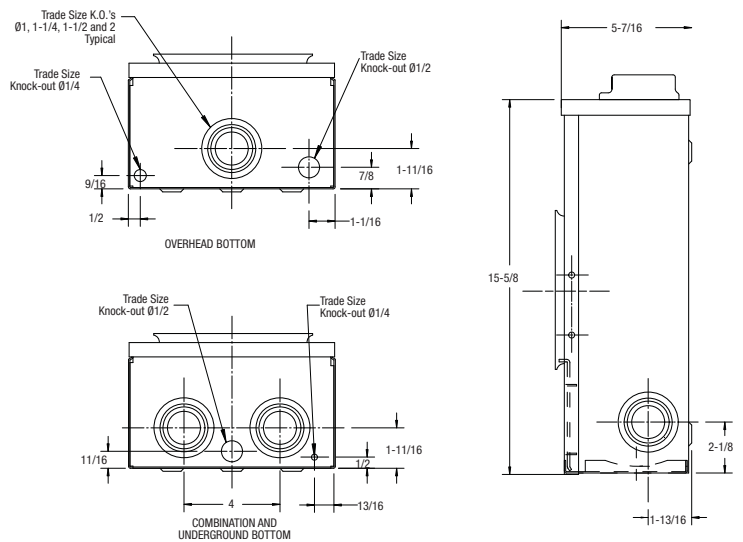


POLYPHASE METER SOCKETS • 100 AMP. 600 VOLTS MAX.



Product Specifications

- Conductor range: 6-1/0 AWG
- Aluminum tunnel type connectors
- Supplied with screw type ring
- Weatherproof Type 3R enclosure
- **Primarily used in:** All provinces



Dimensions are in inches

Ordering Information

CATALOGUE NUMBER	DESCRIPTION	DIMENSIONS (inches)			WEIGHT EACH	
		H	W	D	lb	kg
7 JAW						
PL17-INV	Overhead, hub opening	15-5/8	8-9/16	5-7/16	12	5.4
PL17-INV-HQ	Overhead, hub opening (Hydro-Quebec Spec)	15-5/8	8-9/16	5-7/16	12	5.4
PL17-INTV-HQ	Underground (Hydro-Quebec Spec)	15-5/8	8-9/16	5-7/16	12	5.4
PL17-INTCV	Combination overhead-underground	15-5/8	8-9/16	5-7/16	12	5.4
PL17-INTCV-HQ	Combination overhead-underground (Hydro-Quebec Spec)	15-5/8	8-9/16	5-7/16	12	5.4
PL17-V	Overhead, hub opening	15-5/8	8-9/16	5-7/16	12	5.4
PL17-TV	Underground	15-5/8	8-9/16	5-7/16	12	5.4
PL17-TCV	Combination overhead-underground	15-5/8	8-9/16	5-7/16	12	5.4
8 JAW						
PL17-8V	Overhead, hub opening	15-5/8	8-9/16	5-7/16	12	5.4
PL17-8TCV	Combination overhead-underground	15-5/8	8-9/16	5-7/16	12	5.4
FACTORY INSTALLED ACCESSORIES						
Include: -IN	Insulated neutral					

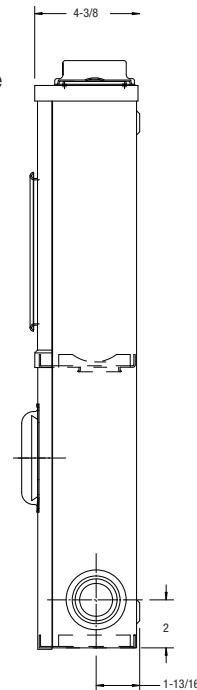
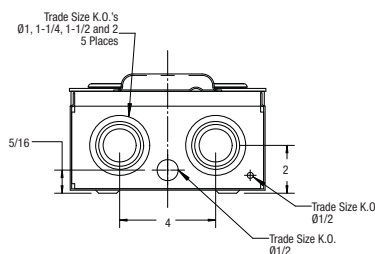
Approved for copper or aluminum.

COMBINATION METER SOCKET & BREAKER • 100 AMP. 120/240 VOLTS MAX.



Product Specifications

- Conductor range: 6-1/0 AWG
- Aluminum tunnel type connectors
- Suitable for 120/240 volts single phase service entrance for mobile homes, trailers, temporary services, recreational parks and other commercial and residential locations
- Bottom compartment has provision for 2 pole circuit breakers (max. 100 Amp.) Siemens (Q), GE (TQL), Cutler Hammer (BR) and SQD (QO).
- Supplied with screw type ring
- Weatherproof Type 3R enclosure
- **Primarily used in:** All provinces



Dimensions are in inches

Ordering Information

CATALOGUE NUMBER	DESCRIPTION	DIMENSIONS (inches)			WEIGHT EACH	
		H	W	D	lb	kg
4 JAW						
C01	Provision for Siemens (Q), GE (TQL), Cutler Hammer (BR), 2 pole circuit breaker	23-1/2	8-1/4	4-3/8	15	6.8
C01-G	Provision for Siemens (Q), GE (TQL), Cutler Hammer (BR), 2 pole circuit breaker, c/w gutter	23-1/2	8-1/4	4-3/8	15	6.8
C01-5V	Provision for Siemens (Q), GE (TQL), c/w 5 th jaw	23-1/2	8-1/4	4-3/8	15	6.8
C01-60	Complete with Q260 Two pole common trip, 60 amp. breaker	23-1/2	8-1/4	4-3/8	15	6.8
C01-70	Complete with Q270 Two pole common trip, 70 amp. breaker	23-1/2	8-1/4	4-3/8	15	6.8
C01-100	Complete with Q2100 Two pole common trip, 100 amp. breaker	23-1/2	8-1/4	4-3/8	15	6.8
C01-100G	Complete with Q2100 Two pole common trip, 100 amp. breaker c/w gutter	23-1/2	8-1/4	4-3/8	15	6.8
C01-100 HI	100 amp. 22KA Siemens Breaker	23-1/2	8-1/4	4-3/8	15	6.8
C01-100 HI-G	100 amp. 22KA Siemens Breaker, c/w gutter	23-1/2	8-1/4	4-3/8	15	6.8
C01SD	Provision for Square D, type «QO», 2 pole circuit breaker	23-1/2	8-1/4	4-3/8	15	6.8
C01SD-G	Provision for Square D, type «QO», 2 pole circuit breaker, c/w gutter	23-1/2	8-1/4	4-3/8	15	6.8

C01 Multi-Gang

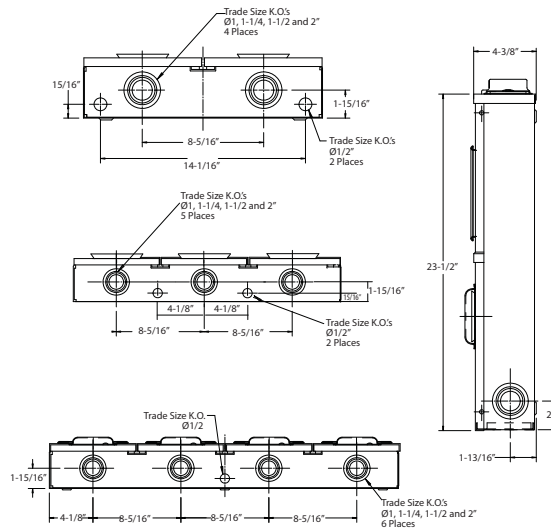


2, 3 & 4 MULTI-GANG COMBINATION METER SOCKET & BREAKER • 200 AMP. MAIN, 100 AMP. PER POSITION 120/240 VOLTS MAX



Product Specifications

- Conductor range: 6 AWG – 250 kcmil copper / aluminum
- Overhead only, tunnel type connectors only, no 1/2" studs
- Supplied with screw type ring
- Weatherproof Type 3R enclosure
- Bottom compartment has provision for 2 pole circuit breaker (max. 100 amp.) Seimens, Cutler Hammer, GE
- **Primarily used in:** Quebec only supplied with 22 kA Seimens breaker



Dimensions are in inches

Ordering Information

CATALOGUE NUMBER	DESCRIPTION	DIMENSIONS (inches)			WEIGHT EACH	
		H	W	D	lb	kg
4 JAW						
C012	2 gang with provision for 2 x 100 amp. type Q breakers	23-1/2	16-1/2	4-3/8	30	13.60
C012-100HI	2 gang with provision for 2 x 100 amp. type Q breakers c/w 22 kA Seimens breaker for Quebec	23-1/2	16-1/2	4-3/8	30	13.60
C012-SD	2 gang with provision for 2 x 100 amp. SQ D breakers	23-1/2	16-1/2	4-3/8	30	13.60
C013	3 gang with provision for 3 x 100 amp. type Q breakers	23-1/2	24-3/4	4-3/8	45	20.41
C013-100HI	3 gang with provision for 3 x 100 amp. type Q breakers c/w 22 kA Seimens breaker for Quebec	23-1/2	24-3/4	4-3/8	45	20.41
C013-100HI-U	Underground 3 gang with provision for 3 x 100 amp. type Q breakers c/w 22 kA Seimens breaker for Quebec	23-1/2	24-3/4	4-3/8	45	20.41
C013-SD	3 gang with provision for 3 x 100 amp. SQ D breakers	23-1/2	24-3/4	4-3/8	45	20.41
C014	4 gang with provision for 4 x 100 amp. type Q breakers	23-1/2	33-1/8	4-3/8	60	27.21
C014-100HI	4 gang with provision for 4 x 100 amp. type Q breakers c/w 22 kA Seimens breaker for Quebec	23-1/2	33-1/8	4-3/8	60	27.21
C014-SD	4 gang with provision for 4 x 100 amp. SQ D breakers	23-1/2	33-1/8	4-3/8	60	27.21

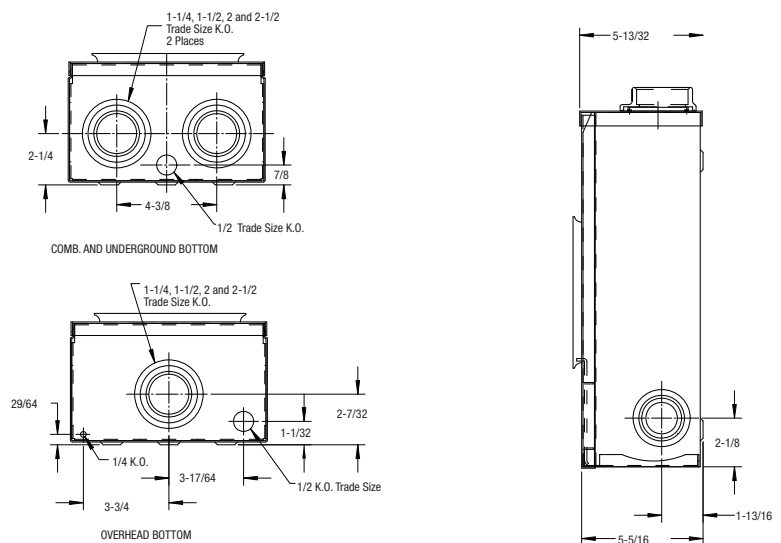
STANDARD ENCLOSURE METER SOCKETS • 200 AMP. 600 VOLTS MAX.



Product Specifications

- Conductor range: 6 AWG-250 kcmil
- Aluminum tunnel type connectors
- Supplied with screw type ring
- Weatherproof Type 3R enclosure
- **Primarily used in:** All provinces

NOTE: Supply from an underground network often requires use of stud type receptacle. Consult your local utility.



Dimensions are in inches

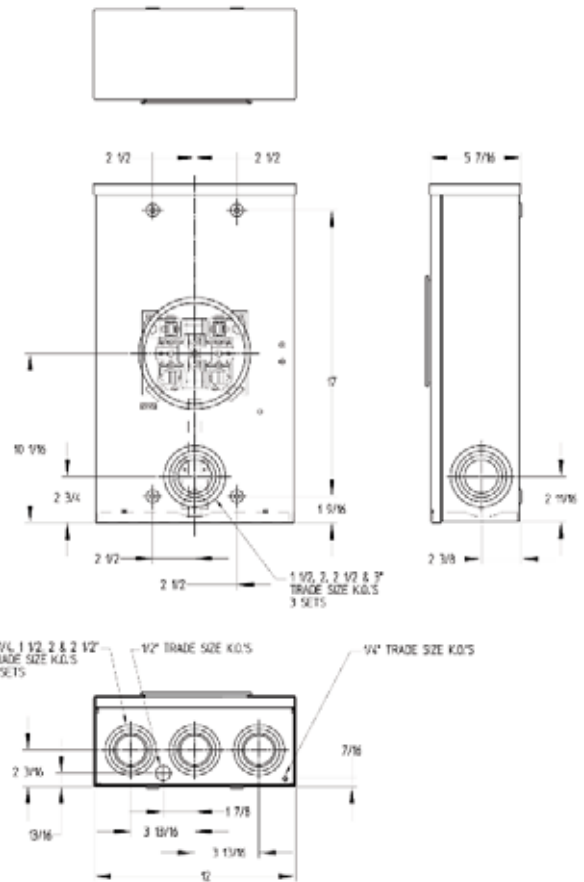
Ordering Information

CATALOGUE NUMBER	DESCRIPTION	DIMENSIONS (inches)			WEIGHT EACH	
		H	W	D	lb	kg
4 JAW						
BQ2-V	Overhead, hub opening	15-5/8	8-47/64	5-13/32	12	5.4
BQ2-1 1/2 V	Overhead, hub opening c/w 1-1/2" hub	15-5/8	8-47/64	5-13/32	12	5.4
BQ2-2V	Overhead, hub opening c/w 2" hub	15-5/8	8-47/64	5-13/32	12	5.4
BQ2-TV	Underground	15-5/8	8-47/64	5-13/32	12	5.4
BQ2-TCV	Combination, overhead-underground	15-5/8	8-47/64	5-13/32	12	5.4
BQ2-22VNH	Overhead, twin hub opening	15-5/8	8-47/64	5-13/32	12	5.4
BQ2-22V	Overhead, twin hub opening c/w 2" hubs	15-5/8	8-47/64	5-13/32	12	5.4
BQ2-2VR	Overhead, hub opening c/w 2" hub for B.C.	15-5/8	8-47/64	5-13/32	12	5.4
FACTORY INSTALLED ACCESSORIES						
Include: -GN	Ground lug on neutral					
-5	5 th jaw standard capacity					
-6	5 th jaw full capacity, 6 o'c position					

STANDARD ENCLOSURE METER SOCKET, 200 AMP. 600 VOLTS MAX.

Product Specifications

- Conductor range: 6 AWG – 250 kcmil
- Aluminum tunnel type connectors
- Supplied with screw type ring
- Weatherproof Type 3R enclosure
- Primarily used in: Ontario

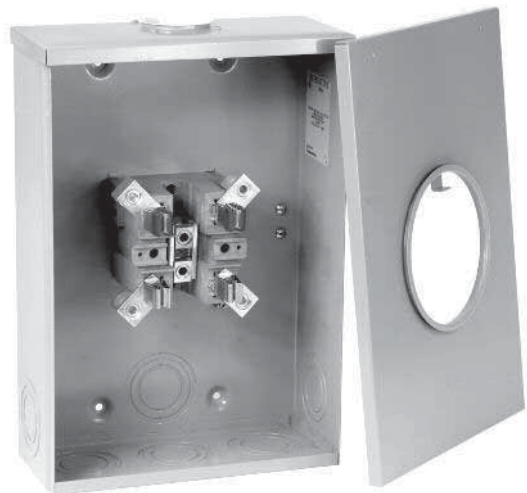


Ordering Information

Dimensions are in inches

CATALOGUE NUMBER	DESCRIPTION	DIMENSIONS (inches)			WEIGHT EACH	
		H	W	D	lb	kg
BP2-TV	Underground	20	12	5-7/16	16.5	7.48

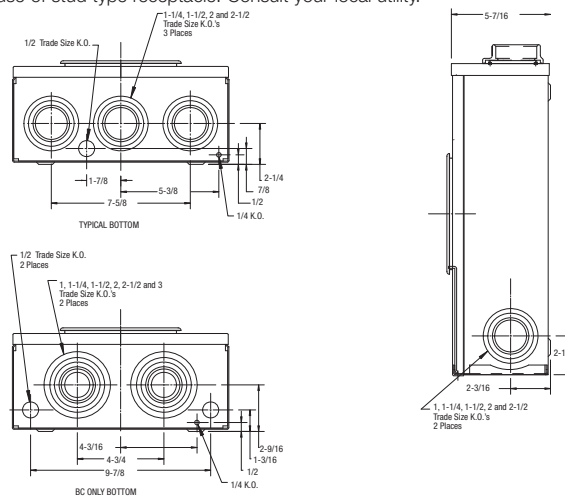
OVERSIZE ENCLOSURE METER SOCKETS • 200 AMP. 600 VOLTS MAX.



Product Specifications

- Conductor range: 6 AWG-250 kcmil
- Aluminum tunnel type connectors
- Supplied with screw type ring
- Weatherproof Type 3R enclosure
- **Primarily used in:** B.C., AB, Sask., Man., Ont., N.S.

NOTE: Supply from an underground network often requires use of stud type receptacle. Consult your local utility.



Dimensions are in inches

Ordering Information

CATALOGUE NUMBER	DESCRIPTION	DIMENSIONS (inches)			WEIGHT EACH	
		H	W	D	lb	kg
4 JAW						
BS2-V	Overhead, hub opening	17-1/8	12	5-7/16	14	6.3
BS2-1 1/2 V	Overhead, hub opening c/w 1-1/2" hub	17-1/8	12	5-7/16	14	6.3
BS2-2V	Overhead, hub opening c/w 2" hub	17-1/8	12	5-7/16	14	6.3
BS2-TV	Underground	17-1/8	12	5-7/16	14	6.3
BS2-TCV	Combination, overhead-underground	17-1/8	12	5-7/16	14	6.3
BS2-TCVBC	Combination overhead-underground c/w 2 combination 1-1/4", 1-1/2", 2", 2-1/2", 3" bottom K.O.'s	17-1/8	12	5-7/16	14	6.3
BS2-22VNH	Overhead, twin hub opening	17-1/8	12	5-7/16	14	6.3
BS2-22V	Overhead, hub opening c/w 2" hubs	17-1/8	12	5-7/16	14	6.3
FACTORY INSTALLED ACCESSORIES						
Include: -5	5 th jaw, standard capacity, 9 o'c position					
-6	5 th jaw, full capacity, 6 o'c position					
-9	5 th jaw, full capacity, 9 o'c position					
-IN	Insulated neutral					
-GN	Ground lug on neutral					

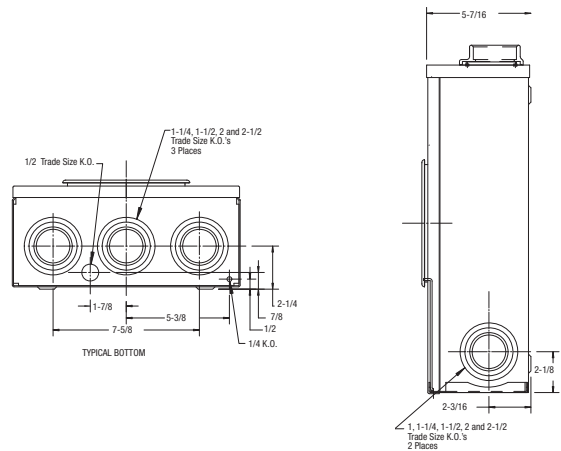
METER SOCKETS WITH PVC ACCESSORIES • 200 AMP. 600 VOLTS MAX.



Product Specifications

- Conductor range: 6 AWG-250 kcmil
- Aluminum tunnel type connectors
- Supplied with screw type ring
- Weatherproof Type 3R enclosure
- **Primarily used in:** Ontario only

NOTE: Supply from an underground network often requires use of stud type receptacle. Consult your local utility.



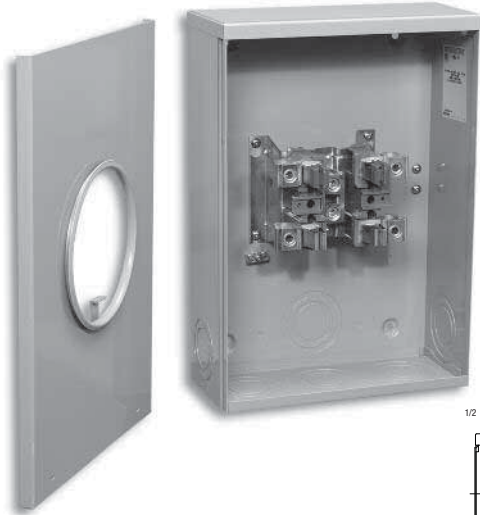
Ordering Information

Dimensions are in inches

CATALOGUE NUMBER	DESCRIPTION	QTY
KIT		
BS2-TCV-KIT2U	Kit – Meter socket with PVC accessories	
Consists of		
BS2-TCV	200 AMP. Meter Socket	1
E943J	2" Terminal Adaptor	1
E986J	2" LB Access Fitting	1
E995J	2" Meter Offsets	2
E997JC	2" Clamps	2
UA9AJCB-CTN	2" Elbow 90 degree	1
CI1716	2" nut	3
PH20	2" Hub	1

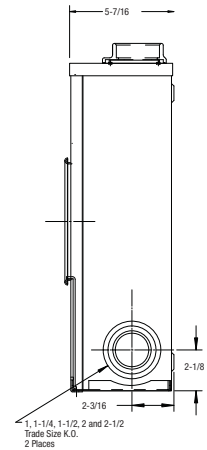
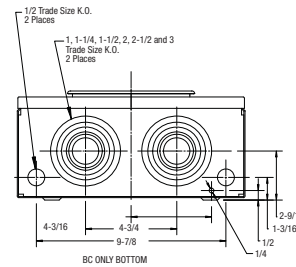
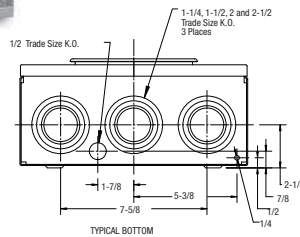
Meter Socket
Approved for copper or aluminum.

OVERSIZE ENCLOSURE METER SOCKETS LAY-IN TYPE CONNECTORS • 200 AMP. 600 VOLTS MAX.



Product Specifications

- Same as BS2 Series with the exception that lay-in type connectors are provided
- Conductor range: 6 AWG-250 kcmil
- Aluminum lay-in type connectors
- Supplied with screw type ring
- Weatherproof Type 3R enclosure
- **Primarily used in:** B.C., Ont.



Dimensions are in inches

Ordering Information

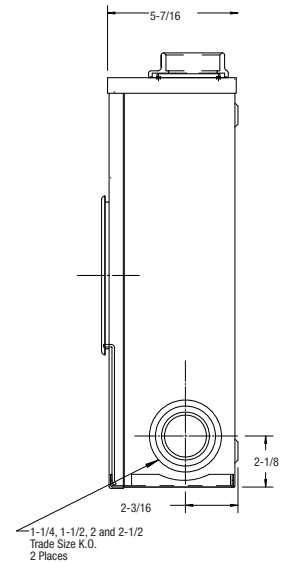
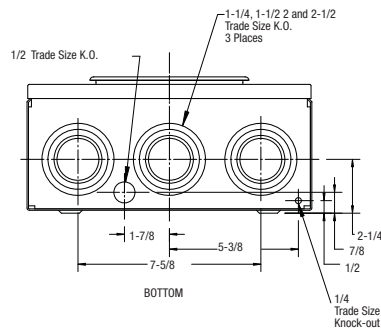
CATALOGUE NUMBER	DESCRIPTION	DIMENSIONS (inches)			WEIGHT EACH	
		H	W	D	lb	kg
4 JAW						
BS2L-V	200 AMP overhead with lay-in lugs	17-1/8	12	5-7/16	16	7.2
BS2L-TV	200 AMP underground with lay-in lugs	17-1/8	12	5-7/16	16	7.2
BS2L-TCV	200 AMP over / under combination with lay-in lugs	17-1/8	12	5-7/16	16	7.2
BS2L-TCVBCR	200 AMP over / under combination with lay-in lugs (BC)	17-1/8	12	5-7/16	16	7.2
BS2L-WTCV	200 AMP over / under combination water heater lugs	17-1/8	12	5-7/16	16	7.2
BS2L-WTCVNY	200AMP over / under combination with water heater lugs and North York assembly	17-1/8	12	5-7/16	16	7.2
FACTORY INSTALLED ACCESSORIES						
Include: -5	5 th jaw standard capacity					
-6	5 th jaw full capacity, 6 o'clock position					
-9	5 th jaw full capacity, 9 o'clock position					
-IN	Insulated neutral					
-NY	North York assembly					
-W	Water heater lugs					

OVERSIZE ENCLOSURE METER SOCKETS, SUBFEED ON LOAD SIDE • 200 AMP. 600 VOLTS MAX.



Product Specifications

- Conductor range: Line: 6 AWG-250 kcmil
Load: 12-1/0 AWG
- Dual lug subfeed on load side
- Supplied with screw type ring
- Weatherproof Type 3R enclosure
- **Primarily used in:** All provinces



Dimensions are in inches

Ordering Information

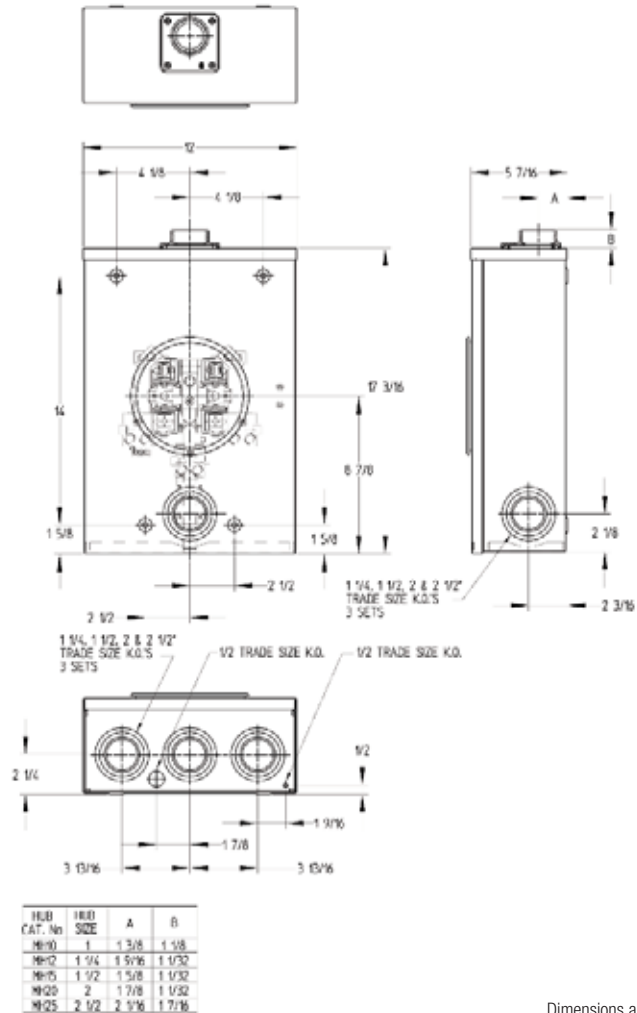
CATALOGUE NUMBER	DESCRIPTION	DIMENSIONS (inches)			WEIGHT EACH	
		H	W	D	lb	kg
4 JAW						
BS2M-V	Overhead, hub opening	17-1/8	12	5-7/16	15	6.8

OVERSIZE ENCLOSURE METER SOCKETS, SUBFEED ON LOAD SIDE • 200 AMP. 600 VOLTS MAX.



Product Specifications

- Conductor range: Line: 6 AWG-250 kcmil
Load: 6-4/0 AWG
- Aluminum tunnel type connectors on line side
- Dual lug subfeed connectors on load side
- CSA approved for copper or aluminum
- Weatherproof Type 3R enclosure
- **Primarily used in:** Manitoba



Dimensions are in inches

Ordering Information

CATALOGUE NUMBER	DESCRIPTION	DIMENSIONS (inches)			WEIGHT EACH	
		H	W	D	lb	kg
BS4M-V	Overhead hub opening	17	12	5-7/16	14.95	6.75

M02 Series

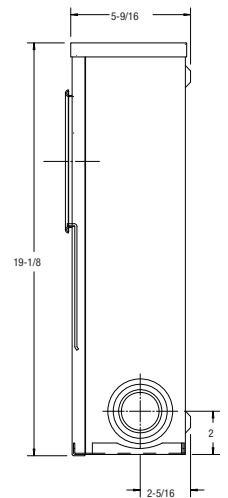
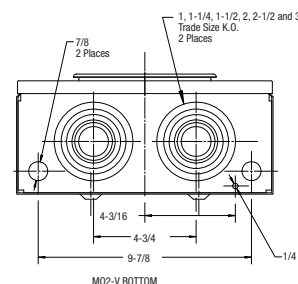
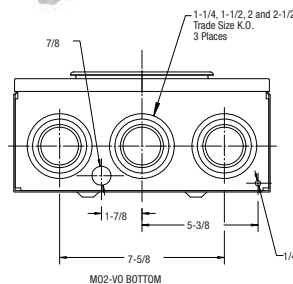


STUD TYPE METER SOCKETS • 200 AMP. 600 VOLTS MAX.



Product Specifications

- Conductor range: Line: single 1/2" studs to accommodate compression lugs to accommodate 350 kcmil max.
Load: 6 AWG-250 kcmil
- For underground service only
- Aluminum tunnel type connectors (load side)
- Supplied with screw type ring
- Weatherproof Type 3R enclosure
- **Primarily used in:** Sask., Man., Ont., Que.



Dimensions are in inches

Ordering Information

CATALOGUE NUMBER	DESCRIPTION	DIMENSIONS (inches)			WEIGHT EACH	
		H	W	D	lb	kg
4 JAW						
M02-V	Underground 1/2" studs	19-1/8	12	5-9/16	18	8.1
M02-VO	Underground 1/2" studs for Ontario	19-1/8	12	5-9/16	18	8.1
M02MB-U	Underground 4/0 for Manitoba	19-1/8	12	5-9/16	18	8.1
M02-VOEN	Underground 1/2" studs for Ontario (Enersource)	19-1/8	12	5-9/16	18	8.1
FACTORY-INSTALLED ACCESSORIES						
Include: -W	Water heater lugs					
-M	2/0 AWG subfeed on load side					

Approved for copper or aluminum.

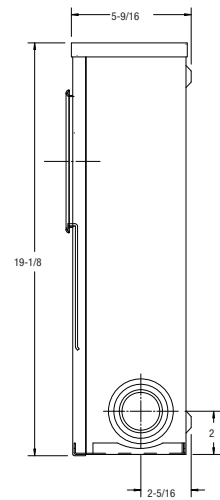
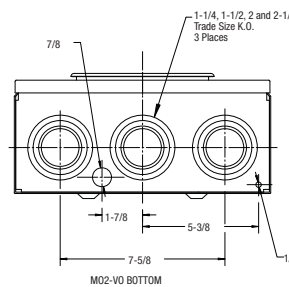


METER SOCKETS WITH PVC ACCESSORIES • 200 AMP. 600 VOLTS MAX.



Product Specifications

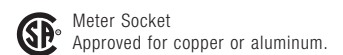
- Conductor range: Line: single 1/2" studs to accommodate compression lugs
Load: 6 AWG-250 kcmil
- For underground service only
- Aluminum tunnel type connectors (load side)
- Supplied with screw type ring
- Weatherproof Type 3R enclosure
- **Primarily used in:** Ontario Only



Dimensions are in inches

Ordering Information

CATALOGUE NUMBER	DESCRIPTION	QTY
KIT		
M02-V0-KIT2U	Kit – Meter socket with PVC accessories	
Consists of		
M02-V0	200 amp. Meter Socket	1
C11716	2" Locknut	3
E943J	2" Male Adaptor	1
E977JC	2" Pipe Strap	2
E986J	2" Conduit Bodies – LB Type	1
E995J	2" Meter Offsets	2
UA9AJCB-UPC	2" 90° Elbow	1



M02 Series Kit and PVC Accessories

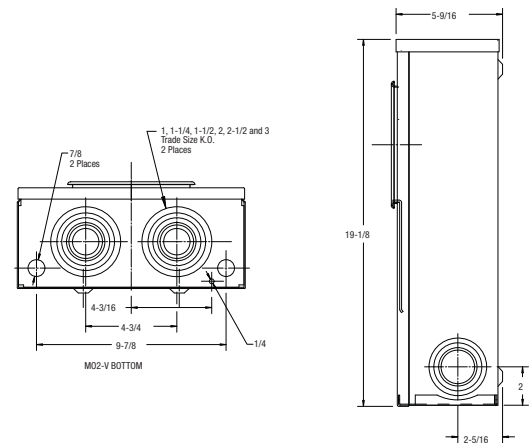


METER SOCKETS WITH PVC ACCESSORIES • 200 AMP. 600 VOLTS MAX.



Product Specifications

- Conductor range: Line: single 1/2" studs to accommodate compression lugs
Load: 6 AWG-250 kcmil
- For underground service only
- Aluminum tunnel type connectors (load side)
- Supplied with screw type ring
- Weatherproof Type 3R enclosure
- **Primarily used in:** Quebec Only



Dimensions are in inches

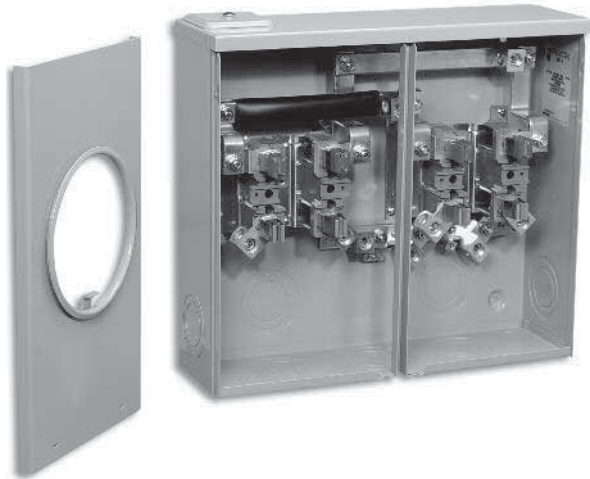
Ordering Information

CATALOGUE NUMBER	DESCRIPTION	QTY
KIT		
M02-V-KIT1-1/4U	Meter socket with PVC accessories	
Consists of		
M02-V	200 amp. Meter Socket	1
CE942RL	3" PVC/DB2 Adaptor	1
CI1710	1-1/4" nut	2
CI1724	3" nut	1
CI-DUCT-1	Duct Seal	1
E943G	1-1/4" Male Adaptor	2
E943L	3" Male Adaptor	1
E945L	3" Expansion Fitting	1
E977GC	1-1/4" Pipe Strap	1
E977LC-CAR	3" Pipe Strap	1
E986G	1-1/4" Conduit Bodies – LB Type	1
UA9AGCB-UPC	1-1/4" 90° Elbow	1

CATALOGUE NUMBER	DESCRIPTION	QTY
KIT		
M02-V-KIT2U	Meter socket with PVC accessories	
Consists of		
M02-V	200 amp. Meter Socket	1
CE942RL	3" PVC/DB2 Adaptor	1
CI1716	2" nut	2
CI1724	3" nut	1
CI-DUCT-1	Duct Seal	1
E943J	2" Male Adaptor	2
E943L	3" Male Adaptor	1
E945L	3" Expansion Fitting	1
E977JC	2" Pipe Strap	1
E977LC-CAR	3" Pipe Strap	1
E986J	2" Conduit Bodies – LB Type	1
UA9AJCB-UPC	2" 90° Elbow	1

Meter Socket
Approved for copper or aluminum.

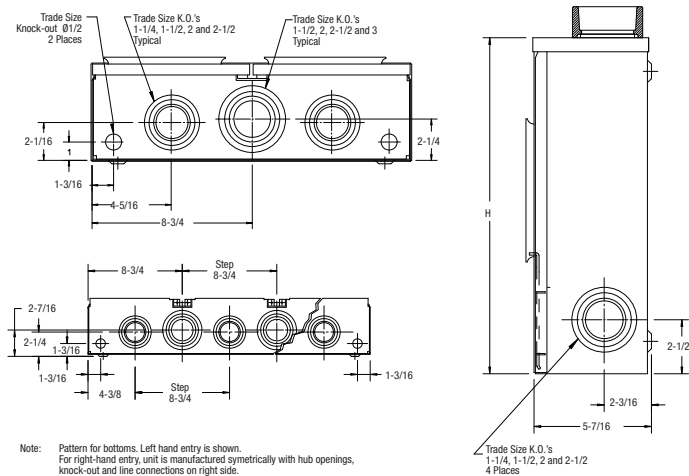
HORIZONTAL METER TROUGHS, 200 AMP. PER POSITION • 200 AMP. 600 VOLTS MAX. MAIN LUGS



Product Specifications

- Conductor range: Line: 6 AWG-250 kcmil
Load: 6 AWG-250 kcmil
- Aluminum tunnel type connectors
- Factory prebussed from main lugs to each position
- Supplied with hub opening closure plate for underground service
- Combination overhead underground
- Supplied with screw type ring
- Weatherproof Type 3R enclosure
- **Primarily used in:** All provinces

NOTE: Supply from an underground network often requires use of stud type receptacle. Consult your local utility.



Ordering Information

Dimensions are in inches

CATALOGUE NUMBER		METER POSITION	DIMENSIONS (inches)			WEIGHT EACH	
			H	W	D	lb	kg
4 JAW							
LEFT-HAND ENTRY	RIGHT-HAND ENTRY						
BD2-V	BD2-VH	2 position	15-1/2	17-1/2	5-7/16	23	10.4
BD3-V	BD3-VH	3 position	15-1/2	26-1/4	5-7/16	35	15.9
BD4-V	BD4-VH	4 position	15-1/2	35	5-7/16	47	21.3
BD2-VBC	BD2-VBCH	2 position for British Columbia	20	17-1/2	5-7/16	27	12.2

Approved for copper or aluminum.

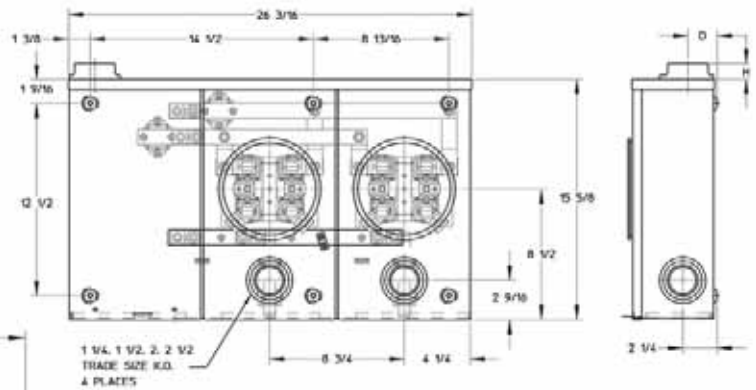
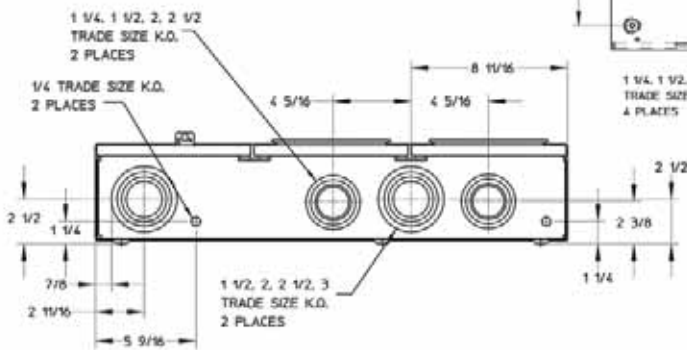
BDA2-V Series



HORIZONTAL METER TROUGHS, 200 AMP. PER POSITION • 200 AMP. 600 VOLTS MAX. MAIN LUGS

Product Specifications

- Conductor range: Line: Dual rated 6 AWG-250 kcmil
Load: 6 AWG-250 kcmil
- Aluminum tunnel type connectors (load side)
- Combination overhead and underground
- Hub opening closure plate for underground service
- Supplied with screw type ring
- Weatherproof Type 3R enclosure
- Primarily used in Ontario



Dimensions are in inches

Ordering Information

CATALOGUE NUMBER	METER POSITION	DIMENSIONS (inches)			WEIGHT EACH	
		H	W	D	lb	kg
4 JAW						
LEFT-HAND ENTRY	RIGHT-HAND ENTRY					
BDA2-V	BDA2-VH	2 position	15-5/8	26-3/16	5-1/4	31 14.6

Approved for copper or aluminum.



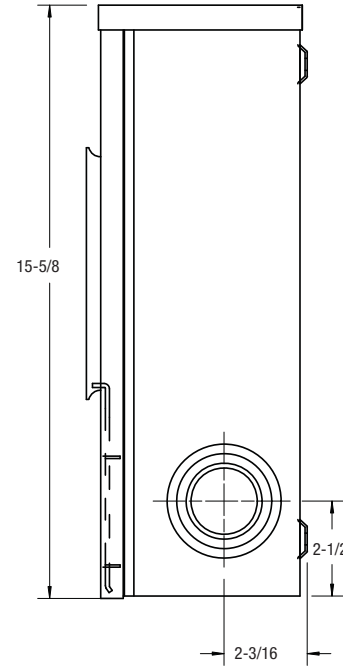
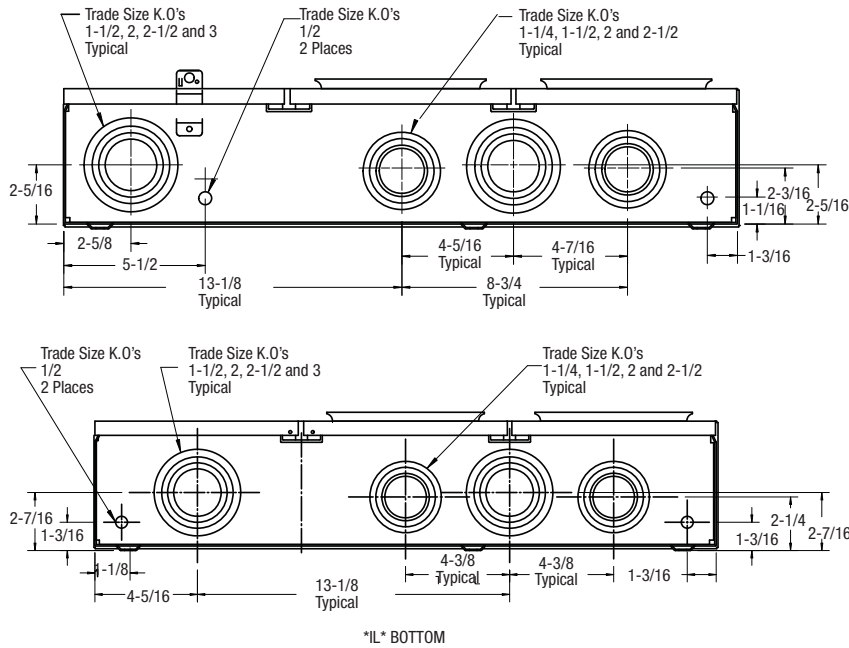
HORIZONTAL METER TROUGHS, 200 AMP. PER POSITION • 200 AMP. 600 VOLTS MAX. MAIN LUGS, STUD TYPE



Product Specifications

- Conductor range: Line: Single 1/2" studs to accomodate compression lugs
Load: 6 AWG-250 kcmil
- For underground service only
- Aluminum tunnel type connectors (load side)
- Factory prebussed from main lugs to each position
- Supplied with screw type ring
- Weatherproof Type 3R enclosure

Hydro-Québec and BC Hydro require that the locking system be located inside the meter through.



Note: Pattern for bottoms. Left hand entry is shown. For right-hand entry, unit is manufactured symmetrically with hub openings, knock-out and line connections on right side.

Dimensions are in inches



HORIZONTAL METER TROUGHS, 200 AMP. PER POSITION • 200 AMP. 600 VOLTS MAX. MAIN LUGS, STUD TYPE

Ordering Information

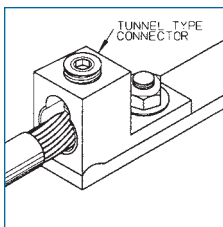
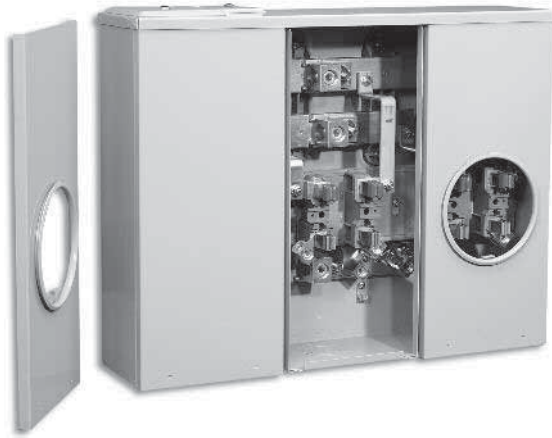
CATALOGUE NUMBER		METER POSITION	DIMENSIONS (inches)			WEIGHT EACH	
			H	W	D	lb	kg
4 JAW (For usage in the provinces of Quebec and British Columbia)							
LEFT-HAND ENTRY	RIGHT-HAND ENTRY						
BDC2-V	BDC2-VH	2 position	15-5/8	26-1/4	5-1/4	30	13.6
BDC3-V	BDC3-VH	2 position	15-5/8	35	5-1/4	42	19.0
BDC4-V	BDC4-VH	3 position	15-5/8	43-3/4	5-1/4	54	24.5

CATALOGUE NUMBER		METER POSITION	DIMENSIONS (inches)			WEIGHT EACH	
			H	W	D	lb	kg
4 JAW (For usage in the provinces of Quebec and British Columbia)							
LEFT-HAND ENTRY	RIGHT-HAND ENTRY						
BDC2-VIL	BDC2-VHIL	2 position	15-5/8	26-1/4	5-1/4	30	13.6
BDC2-VAIL		2 position c/w lug	15-5/8	26-1/4	5-1/4	30	13.6
BDC3-VIL		3 position	15-5/8	35	5-1/4	42	19.0
BDC3-VAIL		3 position c/w lug	15-5/8	35	5-1/4	42	19.0
BDC4-VIL		4 position	15-5/8	43-3/4	5-1/4	54	24.5
BDC4-VAIL		4 position c/w lug	15-5/8	43-3/4	5-1/4	54	24.5

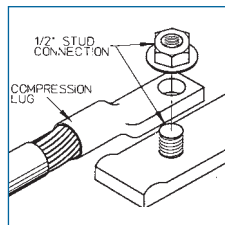
HORIZONTAL METER TROUGHS, 200 AMP. PER POSITION • 400 AMP. 600 VOLTS MAX. MAIN LUGS

Product Specifications

- Conductor range: Line: Dual rated connectors for 1 x 4 AWG-600 kcmil or 2 x 1/0 AWG 250 kcmil
Load: 6 AWG-250 kcmil
- Aluminum tunnel type connectors
- Factory prebussed from main lugs to each position
- Combination overhead-underground
- Supplied with hub opening closure plate for underground service
- Larger hub opening requires use of 3", 3-1/2" or 4" hubs unless BS052 adapter plate is used
- Supplied with screw type ring
- Weatherproof Type 3R enclosure
- **Primarily used in:** All provinces

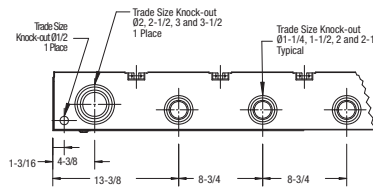
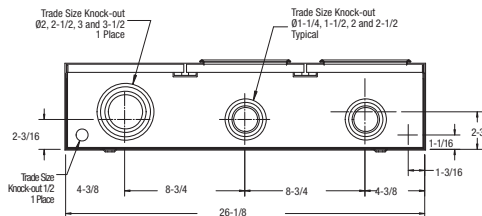


Tunnel type connector Termination

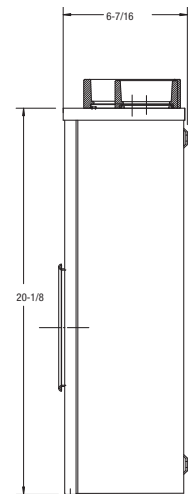


Compression lug Termination (with stud connection)

500 kcmil max.



Note: Pattern for bottoms. Left hand entry is shown. For right-hand entry, unit is manufactured symmetrically with hub openings, knock-out and line connections on right side.



Dimensions are in inches

Ordering Information

CATALOGUE NUMBER	METER POSITION	DIMENSIONS (inches)			WEIGHT EACH		
		H	W	D	lb	kg	
4 JAW							
LEFT-HAND ENTRY	RIGHT-HAND ENTRY						
BS42-V	BS42-VH	2 position	20-1/8	26-1/8	6-7/16	45	20.4
BS43-V	BS43-VH	3 position	20-1/8	35	6-7/16	59	26.8
BS44-V	BS44-VH	4 position	20-1/8	43-3/4	6-7/16	73	33.1
BS45-V	BS45-VH	5 position	20-1/8	52-1/2	6-7/16	87	39.5
BS46-V	BS46-VH	6 position	20-1/8	61-1/4	6-7/16	101	45.9

Approved for copper or aluminum.

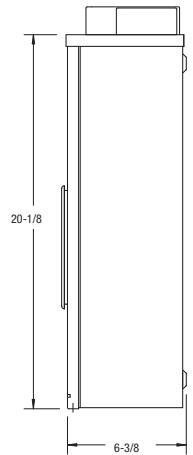
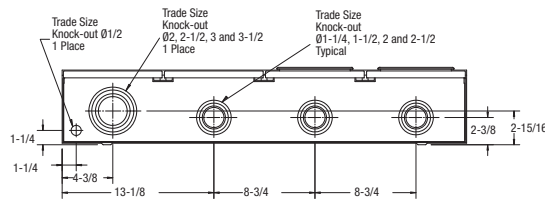
BSC4-G Series



HOR. METER TROUGHS, 200 A/POSITION • 400 AMP. 600 VOLTS MAX. MAIN LUGS — STUD TYPE

Product Specifications

- Conductor range: Line : Single 1/2" studs to accommodate compression lugs
Load: 6 AWG-250 kcmil
- For underground service only
- Aluminum tunnel type connectors (load side)
- Twin wiring compartment, increased length of the busbars and double 1/2" studs to accommodate compression lugs
- Supplied with screw type ring
- Weatherproof Type 3R enclosure
- **Used exclusively by Ottawa Hydro**



Dimensions are in inches

Ordering Information

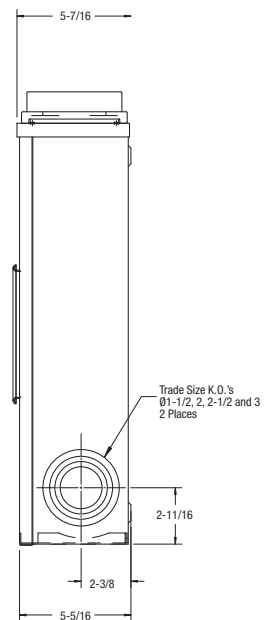
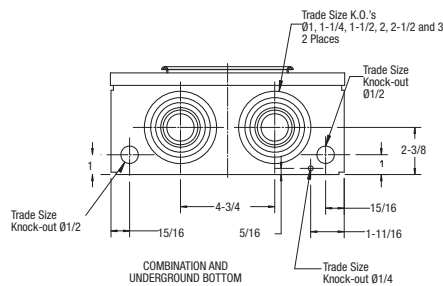
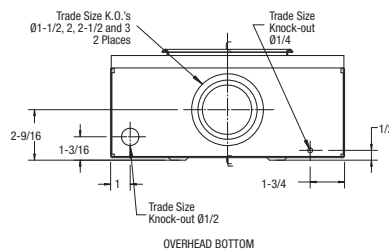
CATALOGUE NUMBER		METER POSITION	DIMENSIONS (inches)			WEIGHT EACH	
			H	W	D	lb	kg
4 JAW							
LEFT-HAND ENTRY	RIGHT-HAND ENTRY						
BSC42-VG	BSC42-VGH	2 position	20-1/8	35	6-3/8	58	26.3
BSC43-VG	BSC43-VGH	3 position	20-1/8	43-3/4	6-3/8	72	32.7
BSC44-VG	BSC44-VGH	4 position	20-1/8	52-1/2	6-3/8	86	39.0
BSC45-VG	BSC45-VGH	5 position	20-1/8	61-1/4	6-3/8	100	45.4
BSC46-VG	BSC46-VGH	6 position	20-1/8	70	6-3/8	114	51.8

Approved for copper or aluminum.

POLYPHASE METER SOCKETS • 200 AMP. 600 VOLTS MAX.

Product Specifications

- Conductor range: 6 AWG-250 kcmil
- Larger hub opening requires use of 3", 3-1/2" or 4" hubs unless BS052 adapter plate is used
- Supplied with screw type ring
- Weatherproof Type 3R enclosure
- **Primarily used in:** All provinces



Ordering Information

Dimensions are in inches

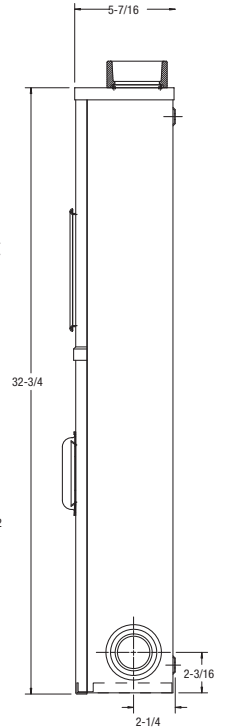
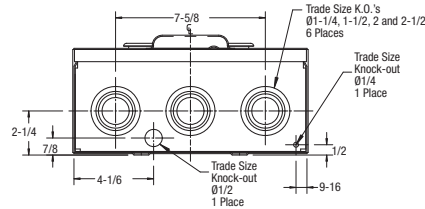
CATALOGUE NUMBER	DESCRIPTION	DIMENSIONS (inches)			WEIGHT EACH	
		H	W	D	lb	kg
7 JAW						
PL27-V	Overhead hub opening	20-1/8	12	5-7/16	18	8.1
PL27-TCV	Combination overhead-underground	20-1/8	12	5-7/16	18	8.1
PL27-IN-V	Overhead hub opening, Insulated neutral	20-1/8	12	5-7/16	18	8.1
PL27-IN-TCV	Combination overhead-underground, Insulated neutral	20-1/8	12	5-7/16	18	8.1

COMBINATION METER SOCKET WITH W/O BREAKER • 200 AMP. 120/240 VOLTS MAX.



Product Specifications

- Conductor range :1 AWG-250 kcmil
- Aluminum tunnel type connectors
- Suitable for 120/240 volts single phase service entrance for mobile homes, trailers, temporary services, recreational parks and other commercial and residential locations
- Factory installed 2 pole circuit breaker; 10000 rms amperes interrupting capacity
- Adjustable bracket now available for field installation to accept Square D and Cutler Hammer (ED, EDH series) breakers, catalogue number **C03417M-1-FG** (see page 39)
- “QJ” Type Siemens breaker
- Supplied with screw type ring
- Weatherproof Type 3R enclosure
- **Primarily used in:** All provinces



Dimensions are in inches

Ordering Information

CATALOGUE NUMBER	DESCRIPTION	DIMENSIONS (inches)			WEIGHT EACH	
		H	W	D	lb	kg
4 JAW						
C02	Overhead 200 Amp. without breaker	32-3/4	11-13/16	5-7/16	28	12.7
C02-125	Overhead c/w 125 Amp. breaker	32-3/4	11-13/16	5-7/16	30	13.6
C02-125-5V	5" jaw overhead c/w 125 Amp. breaker	32-3/4	11-13/16	5-7/16	30	13.6
C02-125HI	Overhead c/w 125 Amp. 22KA Siemens breaker	32-3/4	11-13/16	5-7/16	30	13.6
C02-150	Overhead c/w 150 Amp. breaker	32-3/4	11-13/16	5-7/16	30	13.6
C02-150-5V	5" jaw overhead c/w 150 Amp. breaker	32-3/4	11-13/16	5-7/16	30	13.6
C02-150HI	Overhead c/w 150 Amp. 22KA Siemens breaker	32-3/4	11-13/16	5-7/16	30	13.6
C02-200	Overhead c/w 200 Amp. breaker	32-3/4	11-13/16	5-7/16	30	13.6
C02-200-5V	5" jaw overhead c/w 200 Amp. breaker	32-3/4	11-13/16	5-7/16	30	13.6
C02-200HI	Overhead c/w 200 Amp. 22KA Siemens breaker	32-3/4	11-13/16	5-7/16	30	13.6
C02-200G	Underground c/w 200 Amp. breaker and gutter	32-3/4	11-13/16	5-7/16	32.6	14.6
C02-200GM	Overhead c/w 200 Amp. Siemens breaker and gutter and adjustable bracket	32-3/4	11-13/16	5-7/16	30	13.6
C02-G	Underground no breaker c/w gutter	32-3/4	11-13/16	5-7/16	28	12.7
C02-GM	Underground no breaker c/w gutter, neutral wire and adjustable bracket	32-3/4	11-13/16	5-7/16	28	12.7

COMBINATION METER BREAKER AND SPLITTER - 200AMP • SINGLE PHASE 120/240 VOLT SERVICE

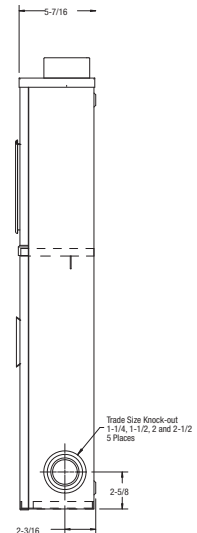
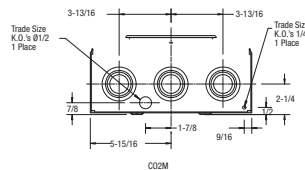
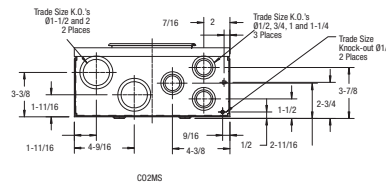


Product Specifications

- Conductor Range: 6 AWG-250 kcmil
- Cutler Hammer breaker to be field-installed, Type ED, EDH
- Adjustable breaker bracket to fit Seimens, SD and Cutler Hammer breakers (available for field installation **Cat. No.: C03417M-1-FG**)
- *With new C02FB braid connector (also available for field installation **Cat. No.: C02FB-KIT**)

C02M	Provision for pole mounting meter and breaker enclosure
C02MS	Provision for pole mounting meter, breaker and splitter enclosure
C02MS-2446	Provision for pole mounting plus breaker c/w service entrance cable connector meter and splitter enclosure
C02MSU	Pedestal type for padmount applications meter and provision for breaker c/w splitter enclosure

Mounting brackets are now shipped unassembled inside each unit where applicable



Ordering Information

Dimensions are in inches

CATALOGUE NUMBER	DESCRIPTION	DIMENSIONS (inches)			WEIGHT EACH	
		H	W	D	lb	kg
4 JAW						
C02M*	Combination overhead-underground	30-5/8	12	5-7/16	28	12.7
C02MS*	Combination overhead-underground	39-3/8	12	5-7/16	42	19
C02MS1-1/4*	Combination overhead-underground, 1-1/4" hub	39-3/8	12	5-7/16	42	19
C02MS-2446*	Combination overhead-underground	39-3/8	12	5-7/16	44	19.5
C02MSB-200	Combination overhead-underground c/w 200 amp. breaker and neutral bar	39-3/8	12	5-7/16	47	21.3
C02MSU*	Underground	60	12	5-3/8	59	26.8

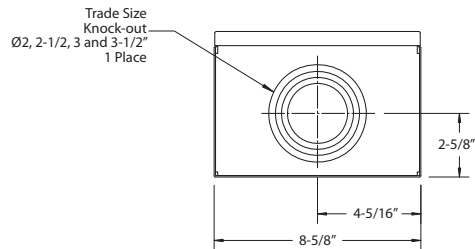
Approved for copper or aluminum.

FLAT RATE SERVICES JUNCTION BOX • 100 AMP. 120/240 VOLTS MAX.



Product Specifications

- 100 Amp., 120 / 240 V single phase weatherproof junction box for flat rate services fed underground such as telephone booths, plastic signs, bus shelters, etc...
- Bottom compartment has 2", 2-1/2", 3", 3-1/2" KO's and 3/8" studs to accommodate compression lugs
- Top compartment has provision for Thomas & Betts, SIEMENS, G.E., Westinghouse type "Q" 2 pole breaker
- Québec only

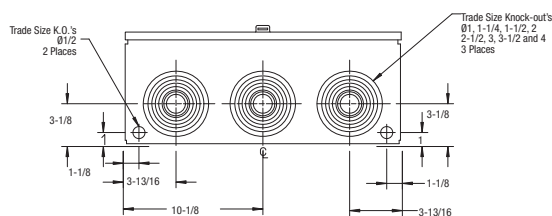
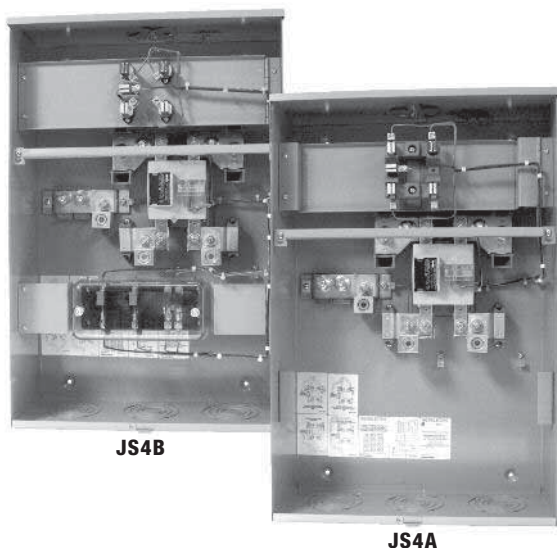


Ordering Information

Dimensions are in inches

CATALOGUE NUMBER	TYPE	DIMENSIONS (inches)			WEIGHT EACH	
		H	W	D	lb	kg
HD1	Underground	23-1/2	6-5/16	6-1/16	20	9.0

METER SOCKET • 400 AMP. 120/240 VOLTS • SINGLE PHASE SERVICE



- Permanent red nameplate affixed to front cover warns that removal of meter does not isolate the load terminals; also notice of automatic circuit closing device on JS4A and warning to short circuit current transformer secondary before removal of meter on JS4B
- Meter socket configuration for 5 jaw meters (can be readily converted to suit meter forms requiring 4 blades)
- 400/5 AMP. three-wire current transformer provides low current for service metering proportional to higher current draw. Consumer and Corporate Affairs Canada approved for revenue metering (200/5 and 300/5 AMP. also available)
- Gutter wiring space provided on left side
- Twin covers allow access to either compartment (single cover available on request)
- Hub opening closure plate for underground service. All units can be converted to overhead service with addition of conduit hub and JS250 or JS500 tunnel type connector kit.
- Line side terminations: double 1/2" studs to accommodate compression lugs for underground service (1 x 500 kcmil or 2 x 250 kcmil)
- Hinged bridges and readily removable crossbar with keyholes permit easy wiring without obstructions
- Load side terminations: tunnel type connectors, dual rated for 1 x 500 kcmil or 2 x 250 kcmil
- Fully wired secondary circuits
- 30-5/8" H x 20-1/4" W x 8-3/8" D heavy gauge galvanized steel. Oven-cured grey enamel finish. Weight each: 72 lb / 32.7 kg
- For aluminum JS4's see page 32 for product specs and dimensions
- Three 1-1/4", 1-1/2", 2", 2-1/2", 3", 3-1/2", 4" Bottom Knockouts
- Weatherproof type 3R enclosure

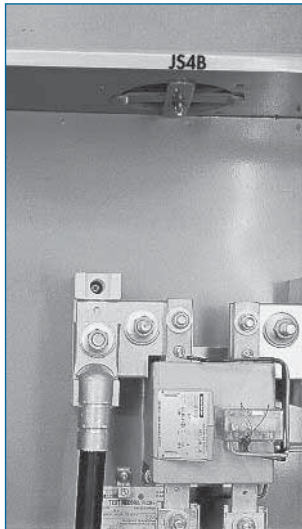
PRODUCT USAGE BY PROVINCE / UTILITY

NFLD	JS4B-4ST	Sask.	JS4A-4TWE	Northern Ont.	JS4A, JS4A-4
Que.	None approved	AB	JS4B-4T	Cornwall Hydro	JS4A-4T, JS4AB-4TW
N.S.	WS, EAL, JS4B-STNS	B.C.	JS4B-4STW	Ottawa Hydro	JS4AB-TW
N.B.	JS4B (EAL)	Hydro Ont.	JS4A, JS4A-200/5, JS4A-300/5, JS4A-4, JS4A-4T, JS4B, JS4B-4 JS4B-ST, JS4AB, JS4A5		
Man.	JS4A-4TW, JS4A-TWK, EAL				

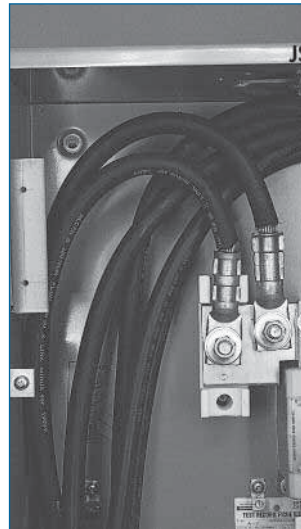


Approved for copper or aluminum (EAL approved for Aluminum.)

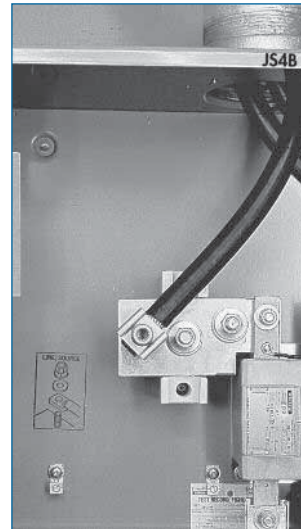
METER SOCKET • 400 AMP. 120/240 VOLTS • SINGLE PHASE SERVICE



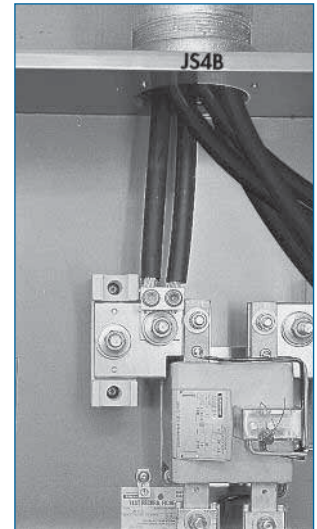
1 x 500 kcmil



2 x 250 kcmil



1 x 500 kcmil
with kit no. JS500



2 x 250 kcmil
with kit no. JS250

UNDERGROUND SERVICE

OVERHEAD SERVICE

Ordering Information

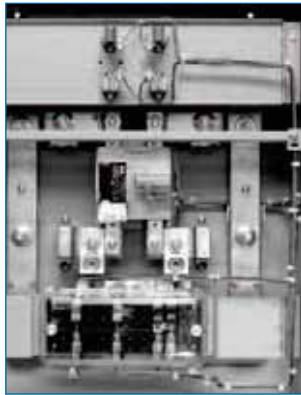
CATALOGUE NUMBER	JS4 UNDERGROUND 400 TO 5 RATIO • 5 JAW • TWIN COVER
JS4A	Equipped with automatic circuit closing device
JS4B	Equipped with test switches
INCLUDE	FACTORY MODIFICATIONS
-4	4 jaw meter socket configuration
-S	Provision only for test switches (test switches supplied by power authority)
-T	Provision only for current transformer (transformer supplied by power authority)
-W	Secondary circuit wiring not included (secondary circuit wired by power authority)
-Z	"Peerless security" collar
-200 / 5	200 to 5 ratio current transformer
-300 / 5	300 to 5 ratio current transformer
CATALOGUE NUMBER	OVERHEAD ENTRY CONVERSION KITS (1 KIT REQUIRED PER SOCKET)
JS250	2 x 250 kcmil tunnel connector kit for line side terminations
JS500	1 x 500 kcmil tunnel connector kit for line side terminations
KIT-JS4B	5 th jaw assembly kit for NB Power

NOTE : Refer to p.36 for "Product usage by Province utility"

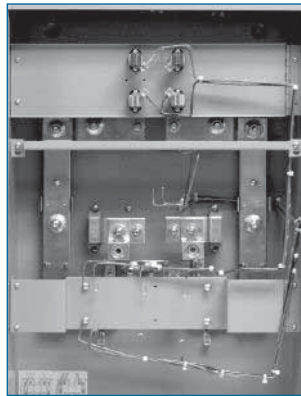
Approved for copper or aluminum.



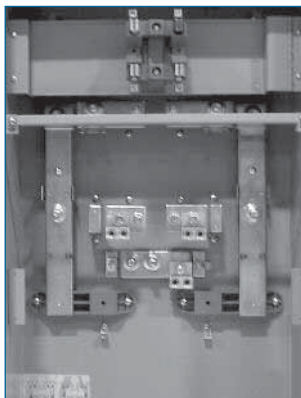
METER SOCKET • 400 AMP. 120/240 VOLTS • SINGLE PHASE SERVICE



JS4B-EAL



JS4B-4STNSEAL
(Nova Scotia)



JS4A-4TWEAL
(Manitoba)

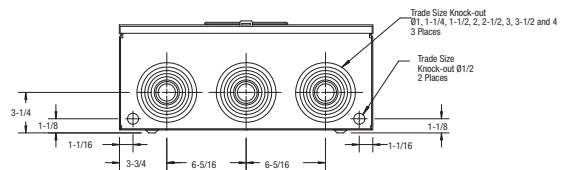
Product Specifications

- Line side terminals:
Overhead: 1 x 750 kcmil Alum. or 2 x 350 kcmil Alum.
Underground: 2 x 1/2" stud to accommodate, 1 x 750 kcmil or 2 x 350 kcmil Alum. compression lugs
- Load side terminals: 2 x 6-350 kcmil CU or AL
1 x 750 kcmil CU or AL
- Combination overhead/underground meter socket
- 4 jaws meter socket configuration
- Provision only for current transformer (transformer supplied by power authority)
- Secondary circuit wiring not included (secondary circuit wired by power authority)

Overhead Kit required (1 kit per socket)

JS350 2 x 350 kcmil Overhead Kit

JS750 1 x 750 kcmil Overhead Kit



Dimensions are in inches

Ordering Information

CATALOGUE NUMBER	DESCRIPTION	DIMENSIONS (inches)			WEIGHT EACH	
		H	W	D	lb	kg
JS4A-4TWEAL	Aluminum Feed 400A meter socket (Manitoba only)	38	20-1/4	8-1/4	70	31.75
JS4B-EAL	Aluminum Feed 400A meter socket (New Brunswick only)	38	20-1/4	8-1/4	72	32.65
JS4B-4STNSEAL	Aluminum Feed 400A meter socket (Nova Scotia only)	38	20-1/4	8-1/4	72	32.65