

Technical Specifications



Applications:

- Junction for branch conduits in hazardous locations.
- Accessible wiring chamber provides a convenient location to maintain or change a system, pull conductors and make splices.
- Internal hub design ideal for installation where space is limited.

Features/Benefits:

- Copper-free (less than .004 copper content) aluminum provides increased corrosion resistance.
- Precision cast and machined surfaces permit safer wire pulling.
- Precision NPT threaded hubs allow trouble-free field installation for rigid or IMC conduit.
- Die cast construction and industrial design combine to produce a rugged protective enclosure for devices on industrial and OEM applications.
- Clear UL, CSA and cubic content markings speed approval by inspectors.

Standard Materials:

- Die cast aluminum alloy A360 (less than .004 copper content).

Standard Finish:

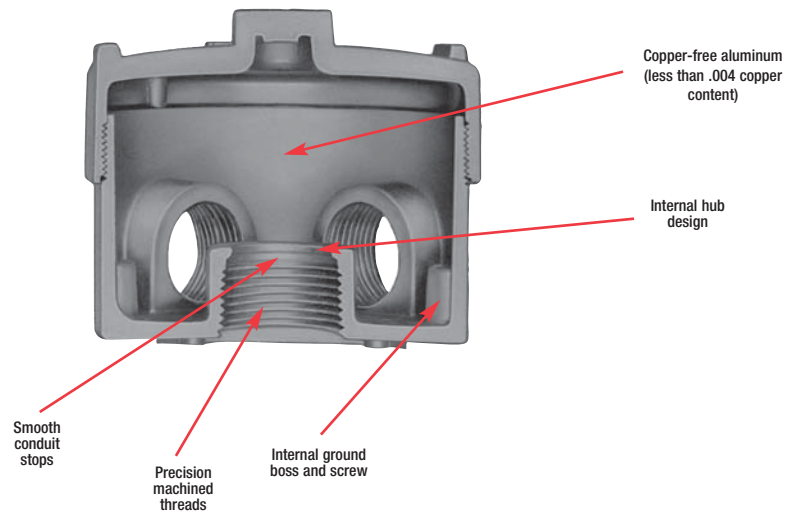
- Aluminum lacquer finish

Compliances:

Compliances as noted on each page of the catalogue include:

- CSA Certified
- UL Listed
- Suitable for hazardous locations

Class I, Groups C, D	NEMA 7CD
Class II, Groups E, F, G	9EFG
Class III, Divisions 1 and 2	12



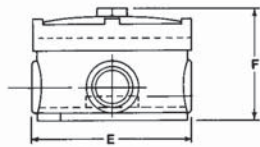
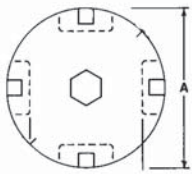
Outlet Boxes • Hazardous Locations

Internal Hubs with installed Green Ground Screw

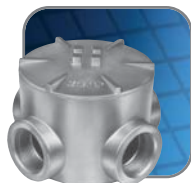


EXUN-1

Cat. No.	Hub Size	Description	A	E	F	Cu. In.
5 Hole Outlet Boxes (Cast aluminum)						
EXUN-1	1/2	5 outlets with 3 close-up plugs	3-31/32	4	3-3/8	20.3
EXUN-2	3/4					
EXUN-3	1				3-9/16	20.0
4 Hole Outlet Boxes (Cast aluminum)						
EXUN-11	1/2	4 outlets with 2 close-up plugs	3-31/32	4	3-3/8	20.3
EXUN-22	3/4					



Technical Specifications



Applications:

- Junction for branch conduits in hazardous locations.
- Accessible wiring chamber provides a convenient location to maintain or change a system, pull conductors and make splices.
- Unique mounting pads and external hub design ideal for installations of OEM devices or instruments.

Features/Benefits:

- Copper-free (less than .004 copper content) aluminum provides increased corrosion resistance.
- Precision cast and machined surfaces permit safer wire pulling.
- Precision NPT threaded hubs allow trouble-free field installation for rigid or IMC conduit.
- Die cast construction and industrial design combine to produce a rugged protective enclosure for devices on industrial and OEM applications.
- Clear UL, CSA and cubic content markings speed approval by inspectors.



Standard Materials:

- Die cast aluminum alloy A360 (less than .004 copper content).

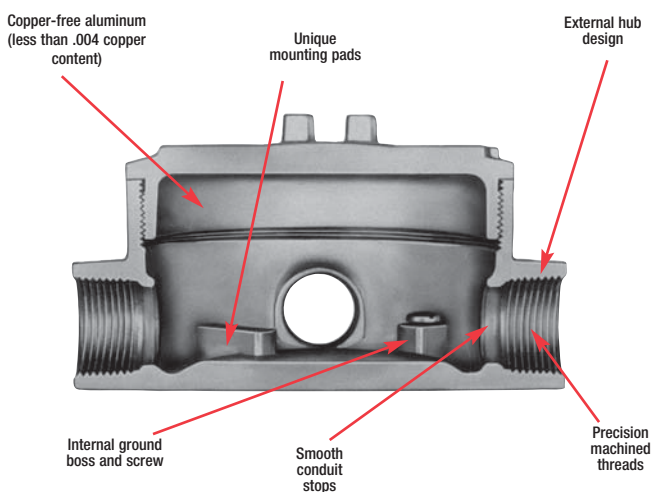
Standard Finish:

- Aluminum lacquer finish

Compliances:

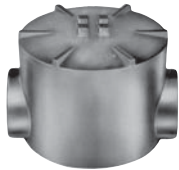
Compliances as noted on each page of the catalogue include:

- CSA Certified
- UL Listed
- Class I, Div. 1 and 2, Groups C, D – Explosionproof
- Class II, Div. 1, Groups E, F, G – Dust-Ignitionproof
- Class III, Div. 1 and 2 – Raintight
- NEMA 3, 4, 7 CD, 9 EFG – Wet Locations



Outlet Boxes & Covers • Hazardous Locations

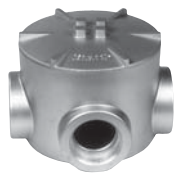
External Hubs with installed Green Ground Screw



GAC



GALB



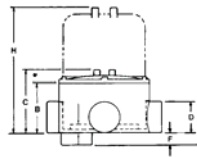
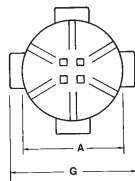
GAT



GAL



GAX



Cat. No.	Hub Size	Cover Opening	A	B	C	D	F	G	H	Cu. In.
Through Feed with Surface (Cast aluminum)										
GAC-1	1/2	3-11/16	4	2-1/4	2-15/16	1-3/8	1-1/16	5-3/16	5-9/16	18.8
GAC-2	3/4						2-7/32	5-1/2		
GAC-3*	1									
"LB" Style with Surface Cover (Cast aluminum)										
GALB-1	1/2	3-11/16	4	2-1/4	2-15/16	1-3/8	1-1/16	5-3/16	5-9/16	18.0
GALB-2	3/4						2-7/32	5-1/2		
GALB-3	1									
GALB-4	1-1/4	3-29/32	4-5/16	3	3-11/16	2-1/16	7/8	5-11/16	-	28.0
GALB-6*	2	5-3/16	5-3/4	4-1/4	5-1/16	2-7/8		6-5/8		69.3
"T" Style with Surface Cover (Cast aluminum)										
GAT-1	1/2	3-11/16	4	2-1/4	2-15/16	1-3/8	1-1/16	5-3/16	5-9/16	18.8
GAT-2	3/4						2-7/32	5-1/2		
GAT-3	1									
GAT-4	1-1/4	3-29/32	4-5/16	3	3-11/16	2-1/16	7/8	5-11/16	-	28.8
"L" Style with Surface Cover (Cast aluminum)										
GAL-1	1/2	3-11/16	4	2-1/4	2-15/16	1-3/8	1-1/16	5-3/16	5-9/16	18.8
GAL-2	3/4						2-7/32	5-1/2		
GAL-3*	1									
GAL-4*	1-1/4	3-29/32	4-5/16	3	3-11/16	2-1/16	7/8	5-11/16	-	28.0
GAL-5*	1-1/2	5-3/16	5-3/4	4-1/4	5-1/16	2-7/8		6-5/8		69.3
GAL-6*	2									
"X" Style with Surface Cover (Cast aluminum)										
GAX-1	1/2	3-11/16	4	2-1/4	2-15/16	1-3/8	1-1/16	5-3/16	5-9/16	18.8
GAX-2	3/4						2-7/32	5-1/2		
GAX-3*	1									
GAX-4*	1-1/4	3-29/32	4-5/16	3	3-11/16	2-1/16	7/8	5-11/16	-	28.0
GAX-5*	1-1/2	5-3/16	5-3/4	4-1/4	5-1/16	2-7/8		6-5/8		69.3
GAX-6*	2									

Suffix-OR: O-ring available for NEMA 4 rating.

* Made to order items. Consult your Regional Sales Office for lead time and minimum quantities.

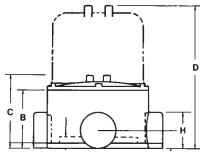
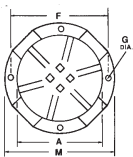


Dimensions are in inches.



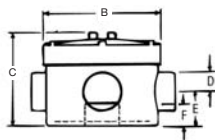
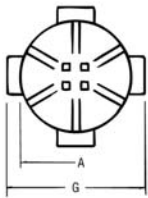
GAFX

Cat. No.	Hub Size	Cover Opening	A	B	C	D	F	G	H	M	Cu. In.
"X" Style with Flange and Surface Cover (Cast aluminum)											
GAFX-1	1/2						4-1/2	1/4		3-5/16	20.0
GAFX-2	3/4	3-11/16	4	2-1/4	2-15/16	5-9/16			1-3/8		
GAFX-3*	1						4-3/4	5/16		5-1/2	19.0



GAJU

Cat. No.	Hub Size	A	B	C	D	E	F	G
"U" Style with Canopy Cover (Cast Aluminum)								
GAJU-1*	1/2	4	4-3/16	4	13/16	1-1/2	31/32	5-3/16
GAJU-2*	3/4	4	4-3/16	4	13/16	1-1/2	31/32	5-3/16
GAJU-3	1	4	4-3/16	4	13/16	1-1/2	31/32	5-3/16
GAJU-5*	1-1/2	5-3/4	6-7/16	6-5/8	1-7/16	2-1/16	1-1/2	6-5/8
GAJU-6	2	5-3/4	6-7/16	6-5/8	1-7/16	2-1/16	1-1/2	6-5/8



* Made to order items. Consult your Regional Sales Office for lead time and minimum quantities.



Outlet Boxes & Covers • Hazardous Locations

External Hubs with installed Green Ground Screw



GAD



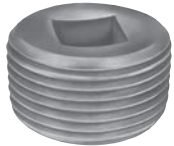
GAJ



GAS



XPLG-1



XPLG-4

Cat. No.	Cover Opening	Fits Boxes
Dome Style Cover – Inside Height 2-5/8” (Class I, Group D only) (Cast Aluminum)		
GAD-123*	3-11/16	1/2, 3/4, 1
Canopy Style Cover (Cast Aluminum)		
GAJ-123*	3-11/16	1/2, 3/4, 1
GAJ-4*	3-29/32	1-1/4
GAJ-56*	5-3/16	1-1/2, 2
Surface Style Cover (Cast Aluminum)		
GAS-123*	3-11/16	1/2, 3/4, 1
GAS-4*	3-29/32	1-1/4
GAS-56*	5-3/16	1-1/2, 2

Cat. No.	Hub Size
Close-up Plugs for Hazardous Locations (Cast Aluminum)	
XPLG-1	1/2
XPLG-2	3/4
XPLG-3	1
XPLG-4	1-1/4
XPLG-5	1-1/2
XPLG-6	2

* Made to order items. Consult your Regional Sales Office for lead time and minimum quantities.

Technical Specifications



Applications:

- Junction for branch conduits in hazardous locations.
- Accessible wiring chamber provides a convenient location to maintain or change a system, pull conductors and make splices.

Features/Benefits:

- Copper-free (less than .004 copper content) aluminum alloy provides increased corrosion resistance.
- Extra wide 3-3/4" opening provides more hand space for easy access to the wiring chamber.
- Precision cast and machined surfaces permit safer wire pulling.
- Large capacity 31 cu. in. chamber provides more wiring space.
- Precision NPT threaded hubs allow trouble-free field installation for rigid or IMC conduit.
- Sand cast construction and industrial design combine to produce a rugged protective enclosure for devices on industrial and OEM applications.
- Clear UL, CSA and cubic content markings speed approval by inspectors.
- Hub spacing allows use of EXFU and EXMU unions.

Standard Materials:

- Box: Sand Cast aluminum alloy A356.2-T6.
- Cover: Die Cast aluminum alloy A360 (less than .004 copper content).

Standard Finish:

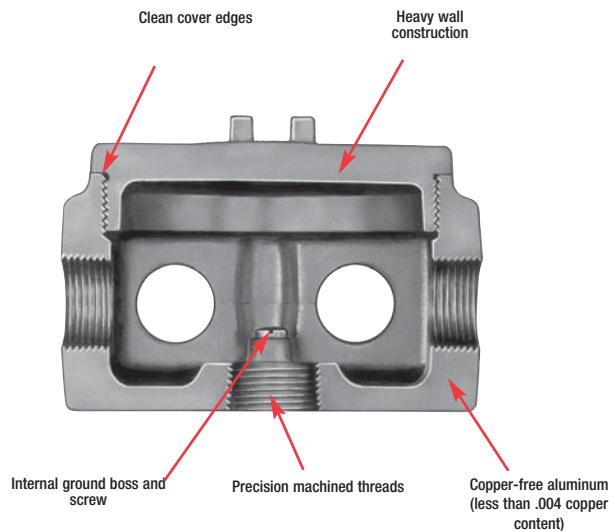
- Aluminum lacquer finish

Compliances:

Compliances as noted on each page of the catalogue include:

- CSA Certified
- UL Listed
- NEC
- Suitable for hazardous locations

Class I, Groups C, D	NEMA 7CD
Class II, Groups E, F, G	9EFG
Class III, Divisions 1 and 2	12



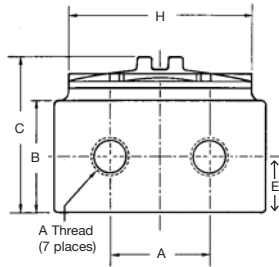
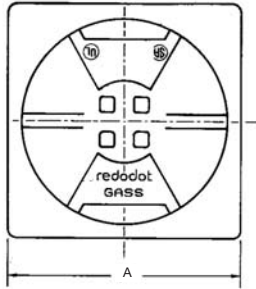
Outlet Boxes • Hazardous Locations

Internal Hubs with Green Ground Screw, Cover and Plugs



GASS

Cat. No.	Hub Size	Cover Opening	A	B	C	D	E	H	Cu. In.
Outlet Boxes with Surface Cover (Cast Aluminum)									
GASS-1	1/2	4	4-5/8	2-3/8	3-3/8	2-3/16	1-3/16	4	31
GASS-2	3/4								
GASS-3	1								



Dimensions of all styles when GASS cover is used

