

Technical Specifications



Applications:

- A fitting for connecting junction box to junction box, or junction box to the conduit system. The resulting connection maintaining ground continuity is raintight.
- Suitable for use where the system is normally hosed down (NEMA 4) for cleaning.

Features/Benefits:

- Plastic insulated throat, precision cast and machined surfaces permit safer wire pulling.
- Special flush locking nipple design provides maximum space for wiring in the box.
- Captive O-ring fits snugly in groove preventing loss and fumbling with parts.
- Knurled inner face of locking nipple provides 360 degrees of locking and bites through box wall to ensure grounding.
- Locking nipple has tightening lugs on two planes for easier assembly in hard to reach field conditions.
- Grounding hubs have a ground screw located within the enclosure providing a tamper-proof ground for device.
- Locking nipple design permits replacement of the box without disassembling the installation.

Standard Materials:

- HTZ Series: Certified die cast zinc alloy ZAMAK 3.
- HT Series: Die cast aluminum alloy A360 (less than .004 copper content).

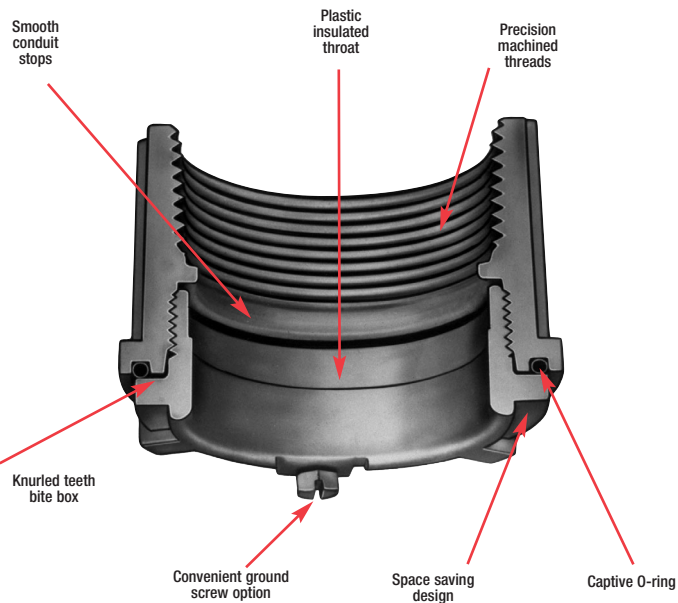
Standard Finish:

- Aluminum lacquer finish

Compliances:

Compliances as noted on each page of the catalogue include:

- CSA Certified
- UL Listed
- NEMA 4



Conduit Hubs

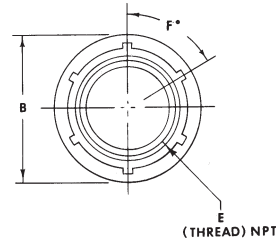
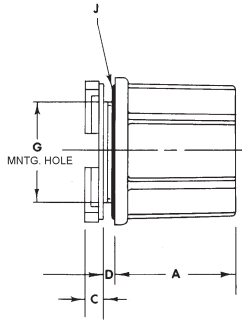
Raintight for Threaded Rigid or Intermediate metal Conduit



HTZ, HT



HTGZ



Cat. No.	Hub Size	A	B	C	D Panel Thickness	E	F	G Min.	G Max.	J O-Ring Size
Insulated Throat (Cast Zinc)										
HTZ1	1/2	1-3/8	1-13/32	1/4	3/16	1/2 - 14	60	55/64	59/64	214
HTZ2	3/4		1-21/32			3/4 - 14		1-3/32	1-11/64	218
HTZ3	1	1-19/32	1-7/8			1-5/16		1-27/64	222	
HTZ4	1-1/4	1-23/32	2-5/16			1-43/64		1-51/64	225	
HTZ5	1-1/2	1-3/4	2-5/8			1-29/32		2-13/64	227	
HTZ6	2	1-25/32	3-5/32	3/8	1/4	2 - 11-1/2	2-3/8	2-21/32	231	
HTZ7	2-1/2	2-1/4	2-45/64			2-1/2, 8	2-7/8	3-5/32	236	
HTZ8	3	2-21/64	4-5/16			3 - 8	3-1/2	3-49/64	241	
HTZ9	3-1/2	2-23/64	4-13/16			3-1/2, 8	4	4-7/16	245	
HTZ10	4	2-3/8	5-5/16			4 - 8	4-1/2	4-63/64	248	

Cat. No.	Hub Size	A	B	C	D Panel Thickness	E	F	G Min.	G Max.	J O-Ring Size
Insulated Throat and Ground Screw (Cast Zinc)										
HTGZ1	1/2	1-3/8	1-13/32	1/4	3/16	1/2 - 14	60	55/64	59/64	214
HTGZ2	3/4		1-21/32			3/4 - 14		1-3/32	1-11/64	218
HTGZ3	1	1-19/32	1-7/8			1-5/16		1-27/64	222	
HTGZ4	1-1/4	1-23/32	2-5/16			1-43/64		1-51/64	225	
HTGZ5	1-1/2	1-3/4	2-5/8			1-29/32		2-13/64	227	
HTGZ6	2	1-25/32	3-5/32	3/8	1/4	2 - 11-1/2	2-3/8	2-21/32	231	
HTGZ7	2-1/2	2-1/4	2-45/64			2-1/2, 8	2-7/8	3-5/32	236	
HTGZ8	3	2-21/64	4-5/16			3 - 8	3-1/2	3-49/64	241	

Cat. No.	Hub Size	A	B	C	D Panel Thickness	E	F	G Min.	G Max.	J O-Ring Size
Insulated Throat (Cast Aluminum)										
HT1	1/2	1-3/8	1-13/32	1/4	3/16	1/2 - 14	60	55/64	59/64	214
HT2	3/4		1-21/32			3/4 - 14		1-3/32	1-11/64	218
HT3	1	1-19/32	1-7/8			1-5/16		1-27/64	222	
HT4	1-1/4	1-23/32	2-5/16			1-43/64		1-51/64	225	
HT5	1-1/2	1-3/4	2-5/8			1-29/32		2-13/64	227	
HT6	2	1-25/32	3-5/32	3/8	1/4	2 - 11-1/2	2-3/8	2-21/32	231	
HT7	2-1/2	2-1/4	2-45/64			2-1/2, 8	2-7/8	3-5/32	236	
HT8	3	2-21/64	4-5/16			3 - 8	3-1/2	3-49/64	241	
HT9	3-1/2	2-23/64	4-13/16			3-1/2, 8	4	4-7/16	245	
HT10	4	2-3/8	5-5/16			4 - 8	4-1/2	4-63/64	248	

